



NOTICE OF REGULAR MEETING
Park Board of Trustees of the City of Galveston
Tourism Development Advisory Committee
Tuesday, February 14, 2023 at 9:00 a.m.
Park Board Plaza Board Room - 1st Floor
601 Tremont
Galveston, Texas 77550

- I. Call Meeting To Order
- II. Pledge Of Allegiance
- III. Roll Call And Declaration Of A Quorum
- IV. Conflict Of Interest Declarations
- V. Requests To Address The Committee
The public shall be allowed to provide comment to the committee regarding one or more agenda or non-agenda items. All requests to address the committee must be submitted in writing and can be presented to the committee reporter the day of the meeting or by completing the Public Comment Form available on the Park Board of Trustees website at the following link prior to the start of the meeting:

[HTTPS://WWW.GALVESTONPARKBOARD.ORG/FORMS.ASPX?FID=65.](https://www.galvestonparkboard.org/forms.aspx?fid=65)
- VI. Discuss And Consider Approval Of Meeting Minutes

Documents:

[NOVEMBER 8, 2022 TDAC MEETING MINUTES.PDF](#)
- VII. Update From The City Of Galveston Transportation Department On Winter Schedules (James Oliver, 10 Minutes)
- VIII. Update On 2023 Mardi Gras Transportation (Bryan Kunz, 5 Minutes)

Documents:

[MARDI GRAS TRANSPORTATION OVERVIEW.PDF](#)
- IX. Discuss And Consider Special Event Incubator Funding For 2023 Galveston Esports Summit (Bryan Kunz, 10 Minutes)

Documents:

[ESPORTS SUMMIT FUNDING OVERVIEW.PDF](#)
- X. Discuss And Consider Special Event Incubator Funding For 2023 La Izquierda Surf And Music Festival (Bryan Kunz, 10 Minutes)

Documents:

[LA IZQUIERDA SURF AND MUSIC FEST FUNDING OVERVIEW.PDF](#)

- XI. Discuss And Consider Special Event Incubator Funding For 2023 Moto Surf Texas Cup (Bryan Kunz, 10 Minutes)

Documents:

[MOTOSURF FUNDING OVERVIEW.PDF](#)

- XII. Discuss And Consider Approval To Award Contract To Vanguard Truck Centers Of Houston For Visit Galveston Box Truck With Lift Gate (Jacquelyn Helton, 5 Minutes)

Documents:

[AWARDING CONTRACT TO VANGUARD TRUCK CENTERS FOR BOX TRUCK WITH LIFT GATE.PDF](#)

- XIII. Update Of 9th Annual Galveston Island Tourism Summit (Jacquelyn Helton, 10 Minutes)

Documents:

[9TH ANNUAL TOURISM SUMMIT OVERVIEW.PDF](#)

- XIV. Certified Galveston Ambassador Update (Shawna Reid, 5 Minutes)

Documents:

[CERTIFIED GALVESTON AMBASSADOR OVERVIEW.PDF](#)

- XV. Update On Galveston Visitor Center (Shawna Reid, 5 Minutes)

Documents:

[GALVESTON VISITORS CENTER OVERVIEW.PDF](#)

- XVI. Present 2021-2022 Park Board Of Trustees Annual Report (Melody Smith, 15 Minutes)

Documents:

[2021-2022 PARK BOARD ANNUAL REPORT.PDF](#)

- XVII. Monthly Visit Galveston Executive Reports

Documents:

[VISIT GALVESTON MONTHLY EXECUTIVE REPORTS.PDF](#)

- XVIII. 2022-2023 Committee Work Plan

Documents:

[TDAC COMMITTEE WORK PLAN.PDF](#)

- XIX. Future Agenda Items

XX. Announcements

XXI. Next Tourism Development Advisory Committee (TDAC) Scheduled Meeting - March 21, 2023

XXII. Adjournment

I certify that the above Notice of Meeting was posted in a place convenient to the public, in accordance with Chapter 551 of the Texas government Code, on or before February 10, 2023 5:00 p.m.

Approved

Jeff Ossenkop, Vice-Chair, TDAC

Approved

Marty Fluke, Park Board of Trustees

Approved as to Format

Kelly de Schaun, Chief Executive Officer

Please Note Members of the City Council may be attending and participating in the discussion.

In accordance with the provisions of the Americans with Disabilities Act (ADA), persons in need of a special accommodation to participate in this proceeding shall, within three (3) days prior to any proceeding, contact the Park Board Administration

Office, 601 Tremont, Galveston Texas 77550 (409-797-5147)



GALVESTON

* ISLAND *
Park Board of Trustees

Park Board of Trustees of the City of Galveston Tourism Development Advisory Committee

11/8/2022 - Minutes

I. Call Meeting To Order

The meeting was called to an order at 11:04 AM

II. Pledge Of Allegiance

The pledge was recited by those present

III. Roll Call And Declaration Of A Quorum

The roll was called, a majority of the members were present, and a quorum was declared.

Members Present: Jeff Ossenkop, Claire Reisweg, Marty Miles, Willis Ghandi, Jeff Elkins, Richard See, Shane Cantrell, Monica Barry, Sheril Hilton, and Craig Corbell.

Members Absent: Will Wright, James Clark, Mark Scibinico, Theresa Elliot, and Lisa Shaw.

IV. Conflict Of Interest Declarations

There were no conflict of interests declared.

V. Requests To Address The Committee

There were no requests made to address the committee.

VI. Discuss And Consider Approval Of Meeting Minutes

Sherill Hilton made a motion to approve September 13, 2022 and October 11, 2022 meeting minutes.

Shane Cantrell second the motion.

Vote: Unanimous (10-0)

VII. Discuss And Consider Proposed 2023 Holiday Activities, June 23rd Through July 4th (Michael Woody, 10 Minutes)

At the previous October 11, 2022 Tourism Development Advisory Committee Meeting staff discussed the direction of the holiday plan provided by the Park Board of Trustees. TDAC provides two plans for the holiday activations. The two plans were discussed, and the final plan will be sent to the Board of Trustees for consideration and approval at the November 15, 2022 meeting. These recommendations will be sent to the City of Galveston for the planning of the upcoming events.

Shane Cantrell moved to approve both plans with option two being the recommendation from TDAC.

Sheril Hilton Second the motion.

Vote: Unanimous

Discussion: There was discussions regarding the fireworks and if the \$25,000 was enough to cover the show. The recommendations are to first have discussions with the City of Galveston to get better direction.

VIII. Present 2022 Winter Wonder Island Marketing Tactics (Melody Smith, 10 Minutes)

Melody Smith presented the 2022 Winter Wonder Island Marketing Tactics. The strategies and tactics for the 2022 Winter Wonder Island plan will include earned, owned and paid media channels.

IX. Recess For Lunch

The committee went on recess for lunch at 11:42 AM

The meeting resumed at 12:12 PM

X. Monthly Visit Galveston Executive Reports

Michael Woody updated the committee on Visit Galveston efforts for the month of September 2022.

XI. 2022-2023 Committee Work Plan

For Reference

XII. Future Agenda Items

None Mentioned

XIII. Announcements

Members of the committee gave an update on their upcoming events.

XIV. Next Tourism Development Advisory Committee (TDAC) Scheduled Meeting - February 14, 2023

XV. Adjournment

Meeting adjourned at 12:23 PM



GALVESTON
★ ISLAND ★
Park Board of Trustees

Agenda Item Overview

Agenda Item: Update on 2023 Mardi Gras Transportation

Background: Bryan Kunz will give an update on the 2023 Mardi Gras Transportation agreement with the City of Galveston Island Transit Department along with the first weekend transportation results.



Agenda Item: Discuss and Consider Special Event Incubator Funding for 2023 Galveston Island Esports Summit

Background: Galveston Island Esports Summit, scheduled for August 25-27, 2023, is designed to bring together Esports educators, influencers, professionals, trade, merchandisers, gamers, and all interested in the rapidly growing esports market.

The 2023 event will feature exhibits, interactive activities, educational panels, and esports tournaments. The US Army will manage the tournaments, highlighted by the Army Esports Mobile Tournament Center, that will be on display and serve as the tournament center. The US Navy will engage the Army in competition, and NASA will host a virtual reality experience of the International Space Station. In addition, they will exhibit artifacts and space memorabilia. Vendors will include merchandise and services, and the Summit will provide new games and interactive activities to entertain attendees.

Confirmed participants to the Summit to date are the US Army - Esports and Recruitment Houses (2), Texas Scholastic Esports Federation, NASA, Esports Trade Association (ESTA), Women in Games (WIGI), the US Marine Corps, the US Navy, and panels featuring esports professionals, educators, game developers, and technology leaders.

Tournaments will be open to all ages by division, with a special division featuring ages below 12. Panelists will discuss the educational benefits of gaming, cyber security, and the advantages of custom personal computers.

A family event, ticketing options include Day passes, 3-day passes, and VIP passes that are all-inclusive. A nominal tournament registration fee with proof of event pass is required to compete.

Proposed schedule is as follows:

Friday, August 25

10 am – 6 pm
 Tournament registration and competitions
 Expo & Qualifying Tournaments

Saturday, August 26

10 am – 6 pm - Expo and Placement Tournaments

Sunday, August 27

10 am - 4 pm – Expo, Tournament Finals, Awards

The promoter has a robust marketing plan in place which includes social media promotion and digital, print and radio advertising. Attendance is expected to exceed 3,500 and generate more than 600 lodging room nights.

Staff Recommendation: E-Sports continues to develop as one of the most rapidly growing industries across the globe. Therefore, the event is well-positioned for sustainable growth. Staff recommends approval of up to \$10,000 in funding.

Funding Source (if applicable): FY '22-'23 Special Event Incubator Fund.

Funding Application Considerations Checklist

Name of Event

Galveston Esports Summit

- The event "directly enhances and promotes tourism AND the convention and hotel industry." (Tax Code, Section 351.101).
- The application is filled out thoroughly and completely.
- Proposed advertising plan is included.
- Organizer has selected a method to account for hotel room nights.
- Application is being submitted more than 180 days in advance of the event.

Please note: All items must be completed before the application can be submitted.

Galveston Park Board Application for Special Event Incubator Funding

Event / Promoter Information

Event Name	Galveston Esports Summit
Event Date(s)	August 25, - 27, 2023
Event Location	Galveston Island Convention Center
Sponsoring Organization/Promoter Name	M. J. Naschke Public Relations
Tax ID Number	27-0372360
Tax Filing Status	Sole Proprietor

Contact Information

Event Coordinator Name	Mary Jo Naschke				
Street Address	202 Rosenberg Avenue, Suite 102				
City/State/Zip	Galveston, TX 77550				
Daytime Phone	(409) 762-3930	Mobile Phone	(409) 771-4373	Fax	
Coordinator E-Mail	mj@mjnpr.com				

If you have any questions, please contact Bryan Kunz, Special Events Manager of the Galveston Island CVB at 409-797-5157 or email bkunz@galvestoncvb.com.

Event Description

Please describe the event, including number of expected participants, activities planned, schedules, etc. Attach additional documents as needed.

See Attached.

Attached



August 25 – 27, 2023

www.GalvestonEsports.com

Event Description

The 3rd Annual Galveston Island Esports Summit is designed to bring together esports educators, influencers, professionals, trade, merchandisers, gamers, and all interested in the rapidly growing esports market.

Due to COVID supply issues, the 2022 Esports Summit was pushed to 2023. The decision to postpone the event was based on the unavailability of equipment necessary to produce a quality event.

The 2023 event will be August 25 – 27. Friday, Saturday and Sunday the Summit will feature exhibits, interactive activities, educational panels and esports tournaments. The US Army will be managing the tournaments and a highlight will be the Army Esports mobile tournament center that will be on display and will serve as the tournament center. The US Navy will engage the Army in competition and NASA will host a virtual reality experience of the International Space Station. In addition, they are exhibiting artifacts and space memorabilia. Vendors will include merchandise and services and the Summit will provide new games and interactive activities.

Confirmed participants to the summit to date are the US Army – Esports and Recruitment Houses (2), Texas Scholastic Esports Federation, NASA, Esports Trade Association (ESTA), and Women in Games (WIGI), US Marines, Navy, and panels featuring esports professionals, educators, game developers, and technology leaders.

Tournaments will be open to all ages by divisions with a special division being ages below 12 years of age. Panelists will discuss the educational benefits of gaming, cyber security, and advantages of custom personal computers.

A family event, ticketing options include Day passes, 3- day passes, and VIP passes that are all inclusive. A nominal tournament registration fee with proof of event pass is required to compete. It is anticipated that 3,500 – 5,000 people will attend.

Friday, August 25	10 am – 6 pm	Tournament registration and competitions Expo & Qualifying Tournaments
Saturday, August 26	10 am – 6 pm	Expo and Placement Tournaments
Sunday, August 27	11 am - 4 pm	Expo, Finals Tournaments & Awards

Event Projections

Total Attendance
Attendance: 3,500 - 5,000

Operating Budget
Budget: \$150,000

Hotel Room Night Projection

Select one of the methods below and complete the calculation to project Total Hotel Room Nights (TRN) associated with the event. The method you select here will be the method used to determine final funding amount after the event.

A. **Hotel Room Block** – Number of contracted rooms with Galveston hotels = _____ TRN

B. **Ticket Sales/Registrations** – Number of tickets/registrations sold 75 or more miles outside Galveston 1,000 x 0.61 = 610 TRN

C. **Total Attendance** – Total attendance _____ x 0.045 = _____ TRN

Maximum Funding Projection

Using the Total Hotel Room Nights (TRN) calculated above, please complete the following formula to determine the proposed maximum funding amount. The final approved funding amount will be determined after the event based upon verifiable actual numbers from the event, and could be lower than the projection below.

610 x \$132 (Average Daily Rate) = \$80,520 ÷ 7 = \$11,502 Proposed Max. Funding -

Proposed Fund Usage

Please describe in the space provided below: 1) How the funds you are requesting will be used. 2) How you will enhance and promote tourism and the convention and hotel industry. Please be specific. Attach additional documents if needed.

Funds will be used for marketing purposes: print, social media, digital ads, radio. The Galveston Esports Summit attracts a diverse market that is technology driven, and promotes Galveston to tech companies who may be interested in hosting conferences, etc. The event is diverse in age, culture, and is a networking success for businesses.

See attached
Budget

The above information is accurate and true to the best of my knowledge.



Authorized Signature

10/26/22

Date

MARY JO NASCHKE

Print Name Here

PROMOTER

Title/Responsibility

Return the completed application above, along with your proposed advertising plan, event budget and any additional documents to Galveston Island CVB, 601 Tremont, Suite 200, Galveston, TX 77550 or email to bkunz@galvestoncvb.com.

If you have any questions, please contact Bryan Kunz, Special Events Manager of the Galveston Island CVB at 409-797-5157 or email bkunz@galvestoncvb.com.

Agenda Item: Discuss and Consider Special Event Incubator Funding for 2023 La Izquierda Surf and Music Festival

Background: La Izquierda Surf and Music Festival, scheduled for May 6-7, 2023, at Menard Park, is a two-day surf contest and music festival designed to attract visitors to stay a full weekend in Galveston. Activities planned include a surf contest, live entertainment, vendors, workshops, performances by local groups and community partners, non-profit spotlights, live art including a community mural, photo booth area, and much more.

Proposed schedule is as follows:

Friday, May 5

Set-up, volunteer training, local bands.

Saturday, May 6

8 am - Event opens, Free yoga class on the beach, free coffee, surf contest begins.

9 am - Free meditation or group class on the beach, art activities for kids at park.

10 am - Reggae band begins, performances continue till noon with DJ sets in between.

3 pm - Performances by local students and community groups.

5 pm – 9 pm - 4 performances by increasingly well-known bands, headliner.

Sunday, May 7

8 am - Surf contest continues, youth surf events, free yoga class.

10 am - Classical music on the beach.

Noon - Singer/songwriter focus onstage for midday performances.

2 pm - 2 bands performing on the hour.

4 pm - Surf contest winners announced, awards ceremony.

5 pm - Headliner

6:30 pm - Closing ceremony and break-down.

The event will be supported by a marketing plan which includes digital, website, print, radio, and social media advertising. Attendance is expected to approach 10,000 and generate over 450 lodging room nights.

Staff Recommendation: Staff recommends approval of up to \$8,485 in Incubator Funding.

Funding Source (if applicable): FY '22-'23 Special Event Incubator Fund.

Funding Application Considerations Checklist

Name of Event _____

_____ The event “directly enhances and promotes tourism AND the convention and hotel industry.” (Tax Code, Section 351.101).

_____ The application is filled out thoroughly and completely.

_____ Proposed advertising plan is included.

_____ Organizer has selected a method to account for hotel room nights.

_____ Application is being submitted more than 180 days in advance of the event.

Please note: All items must be completed before the application can be submitted.

Galveston Park Board Application for Special Event Incubator Funding

Event / Promoter Information

Event Name
Event Date(s)
Event Location
Sponsoring Organization/Promoter Name
Tax ID Number
Tax Filing Status

Contact Information

Event Coordinator Name		
Street Address		
City/State/Zip		
Daytime Phone	Mobile Phone	Fax
Coordinator E-Mail		

Event Description

Please describe the event, including number of expected participants, activities planned, schedules, etc. Attach additional documents as needed.

If you have any questions, please contact Bryan Kunz, Special Events Manager of the Galveston Island CVB at 409-797-5157 or email bkunz@galvestoncvb.com.

Event Projections

Total Attendance

Operating Budget

Hotel Room Night Projection

Select one of the methods below and complete the calculation to project Total Hotel Room Nights (TRN) associated with the event. The method you select here will be the method used to determine final funding amount after the event.

A. **Hotel Room Block** - Number of contracted rooms with Galveston hotels = _____ TRN

B. **Ticket Sales/Registrations** - Number of tickets/registrations sold 75 or more miles outside Galveston _____ x 0.61 = _____ TRN

C. **Total Attendance** - Total attendance _____ x 0.045 = _____ TRN

Maximum Funding Projection

Using the Total Hotel Room Nights (TRN) calculated above, please complete the following formula to determine the proposed maximum funding amount. The final approved funding amount will be determined after the event based upon verifiable actual numbers from the event, and could be lower than the projection below.

_____ TRN x \$132 (Average Daily Rate) = \$ _____ ÷ 7 = \$ _____ Proposed Max. Funding

Proposed Fund Usage

Please describe in the space provided below: 1) How the funds you are requesting will be used. 2) How you will enhance and promote tourism and the convention and hotel industry. Please be specific. Attach additional documents if needed.

The above information is accurate and true to the best of my knowledge.



Authorized Signature

Date

Print Name Here

Title/Responsibility

Return the completed application above, along with your proposed advertising plan, event budget and any additional documents to Galveston Island CVB, 601 Tremont, Suite 200, Galveston, TX 77550 or email to bkunz@galvestoncvb.com.

If you have any questions, please contact Bryan Kunz, Special Events Manager of the Galveston Island CVB at 409-797-5157 or email bkunz@galvestoncvb.com.

Agenda Item: Discuss and Consider Special Event Incubator Funding for 2023 MotoSurf Texas Cup

Background: The second annual MotoSurf Texas Cup, scheduled for May 2-8, 2023, is a multi-day watersports festival hosted at Moody Gardens by JetSurf Houston. The event will feature a three-day training camp and four days of racing and watersports entertainment.

MotoSurf racing consists of multi-class racing with a single rider aboard a motorized and highly modified surfboard. Racers can reach speeds approaching 40 miles per hour. The sport continues to grow in popularity around the world and within the U.S.

Proposed schedule is as follows:

May 2 – 4

Training Camp

Friday, May 5

Race Registration/ Check in
Technical/ Board Inspections and Safety Brief
Track learning, Practice laps, Open track
Board tuning
Meet and greet & racers welcome party

Saturday, May 6

Racers Breakfast
Late Race Registration/ Check in
Technical/ Board Inspections and Safety Brief
Track learning, Practice laps, Qualifications
Lunch
Heats 1&2

Sunday, May 7

Racers Breakfast
Technical/ Board Inspections and Safety Brief
Practice Starts, Practice laps
Heats 3
Heats 4
Lunch
Finals
Ceremony
Dinner of Champions

Monday, May 8

Breakfast of Champions
Event Break-down
Fun Day in Galveston

The event will be supported by a marketing plan which includes digital and social media advertising as well as public relations efforts. Attendance is expected to approach 2,000 and generate more than 300 lodging room nights.

Staff Recommendation: MotoSurf racing continues to show growth in popularity on the Gulf U.S. Staff recommends approval of up to \$5,751 in Incubator Funding

Funding Source (if applicable): FY '22-'23 Special Event Incubator Fund.

Funding Application Considerations Checklist

Name of Event 2023 MotoSurf Texas Cup

Yes The event "directly enhances and promotes tourism AND the convention and hotel industry." (Tax Code, Section 351.101).

Yes The application is filled out thoroughly and completely.

Yes Proposed advertising plan is included.

Yes Organizer has selected a method to account for hotel room nights.

Yes Application is being submitted more than 180 days in advance of the event.

Please note: All items must be completed before the application can be submitted.

Galveston Park Board Application for Special Event Incubator Funding

Event / Promoter Information

Event Name	2023 MotoSurf Texas Cup
Event Date(s)	May 5 - 7 / Jetsurf Houston Training Camp
Event Location	Moody Gardens Palm Beach/Marina (May 2-4)
Sponsoring Organization/Promoter Name	Jetsurf Houston / Jordan P. Davlin
Tax ID Number	
Tax Filing Status	

Contact Information

Event Coordinator Name	Jordan P. Davlin		
Street Address	3222 NASA PKWY		
City/State/Zip	Seabrook, TX 77586		
Daytime Phone	Mobile Phone	Fax	
	713 538-7873		
Coordinator E-Mail	Jordan @ Jetsurfhoustan.com		

If you have any questions, please contact Bryan Kunz, Special Events Manager of the Galveston Island CVB at 409-797-5157 or email bkunz@galvestoncvb.com.

JPD

Event Description

Please describe the event, including number of expected participants, activities planned, schedules, etc. Attach additional documents as needed.

The 2nd Annual MotoSurf Texas Cup © Moody Gardens Resort. Jetsurf Houston is hosting the 2nd MotoSurf race on Galveston Island. This is a 6 day event including 3 day training camp and 3 days of racing. MotoSurf racing is growing in popularity around the world and US. Jetsurf Houston is spearheading the sport of MotoSurf in Texas. We are proud to be promoting the new and exciting sport on Galveston Island. We are expecting 50 racers from all over the US and world. We are planning to have around 2500 spectators throughout the 3 day event. I have sent the race schedule and info ~~pack~~ via email. We will have a half-time show and big air contest along with electric challenge and moteskate challenge.

Event Projections

Total Attendance 2500	Operating Budget \$50,000
---------------------------------	-------------------------------------

Hotel Room Night Projection

Select one of the methods below and complete the calculation to project Total Hotel Room Nights (TRN) associated with the event. The method you select here will be the method used to determine final funding amount after the event.

A. **Hotel Room Block** - Number of contracted rooms with Galveston hotels = _____ TRN

B. **Ticket Sales/Registrations** - Number of tickets/registrations sold 75 or more miles outside Galveston 500 x 0.61 = 305 TRN

C. **Total Attendance** - Total attendance _____ x 0.045 = _____ TRN

Maximum Funding Projection

Using the Total Hotel Room Nights (TRN) calculated above, please complete the following formula to determine the proposed maximum funding amount. The final approved funding amount will be determined after the event based upon verifiable actual numbers from the event, and could be lower than the projection below.

305 TRN x \$132 (Average Daily Rate) = \$ 40,260 ÷ 7 = \$ 5,751 Proposed Max. Funding

Proposed Fund Usage

Please describe in the space provided below: 1) How the funds you are requesting will be used. 2) How you will enhance and promote tourism and the convention and hotel industry. Please be specific. Attach additional documents if needed.

\$9,000 - Venue Rental
\$6,000 - Staff rooms and ~~salaries~~ Salaries, flights, etc.
\$10,000 - Advertising/Marketing/Promotions (Online Social Media, publications)
\$5,000 - Tents, tables, chairs
\$5,000 - Banners, signage, flyers
\$5,000 - Ambulance, safety services (police boat rentals)
\$5,000 - Race supplies, fuel, ice, water, snacks
\$5,000 - MISC.

Detailed list to be provided via email

The above information is accurate and true to the best of my knowledge.

J.P. Davlin
Authorized Signature

1/12/2023
Date

Jordan P. Davlin
Print Name Here

Owner/Race Director
Title/Responsibility

Return the completed application above, along with your proposed advertising plan, event budget and any additional documents to Galveston Island CVB, 601 Tremont, Suite 200, Galveston, TX 77550 or email to bkunz@galvestoncvb.com.

If you have any questions, please contact Bryan Kunz, Special Events Manager of the Galveston Island CVB at 409-797-5157 or email bkunz@galvestoncvb.com.



Agenda Item: Discuss And Consider Approval to Award Contract To Vanguard Truck Centers of Houston for Visit Galveston Box Truck with Lift Gate

Background: As part of the Approved Fiscal Year 2023 Tourism Development Budget, funds were allocated for a Box Truck with Lift Gate. Visit Galveston activated a sealed Request for Proposals for a qualified vendor to provide a cargo box with lift gate that meets certain specifications. The truck will greatly reduce the cost to transfer ship and distribute owned experiential assets (e.g. VICi, Vendcent, etc.) as well as local distribution of Island Soul.

During 2022, Visit Galveston spent \$24,456.96 in freight and moving fees, and box truck rental charges to accommodate asset distribution for special events. The same year, Visit Galveston hired a part-time staff person to accommodate special-event activations and Island Soul distribution. That position soon became a full-time job because of the number of events and the volume of distribution work it required. The cost associated with moving the position from part-time to full-time was \$31,993. It has become clear that without additional transportation assets, the Visit Galveston team cannot increase the number of activations – and the additional revenue that comes with them. The purchase of a Box Truck will alleviate that problem. It will provide the opportunity to transport the Visit Galveston vending machine to special events, allow more experience activations and will facilitate Island Soul distributions without having to contract with an outside source. Visit Galveston would retain the full time staff person to manage distribution and assets, and would cover the purchase of the Box Truck within 2-3 years from rental savings and potential revenue.

Below were the specifications requested in the sealed bid process:

- Suspension: Spring (air, coil or leaf)
- Fuel Type: Unleaded or Diesel
- Transmission: Automatic 6-speed or similar
- Cab Type: Manufacturer standard
- Body Type: Cargo Box
- Cargo Box Length: Minimum 14'
- Cargo Box Width: Minimum 8'
- Lift Gate: Equipped with working lift gate
- Fuel Tank: Single, minimum 30-gallon capacity
- Tire size: manufacturer standard rated for truck, all weather
- Axles: Single
- Cab Features: AM/FM Radio, air conditioning and heat equipped, defrost
- Brakes: ABS
- Steering: Power
- Back-up Alarm: Required
- Windshield: Manufacturer standard with no cracks, working wipers equipped with blades
- Cruise Control
- Power Windows and Mirrors
- Tilt Wheel

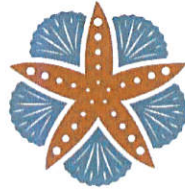
- Box Must have illumination
- Roll Up Door Clearance: Minimum 8' in height
- Wall tie downs
- Solid floor that can hold at least 5,000 pounds
- Lift gate with vending stop and hydraulic operation

One proposal was received in the sealed process from Vanguard Truck Centers of Houston.

Staff Recommendation: Staff recommends awarding a contract to Vanguard Truck Centers of Houston for the Visit Galveston Box Truck with Lift Gate in the amount of \$78,230. pending approval from TDAC, Park Board of Trustees and approval and funding from the City of Galveston. \$80,000 was included in the FY2023 budget for this purchase as a Destination Experience Asset.

Funding Source (if applicable): TD70-7002, Destination Experience Assets

Finance and Operations Committee unanimously approved January 10, 2023



GALVESTON
★ ISLAND ★
Park Board of Trustees

**PARK BOARD OF TRUSTEES
OF THE CITY OF GALVESTON (PARK BOARD)
SEALED REQUEST FOR PROPOSAL**

RFP Reference Number: 2022-1205A

Project Title: Visit Galveston Box Truck with Lift Gate

Sealed Bid Closing Date: December 5, 2022 @ 12:00 pm CST

Submittal: Three (3) Original

Contact: Jacquelyn Helton, Director of Destination Experience
601 Tremont, Suite 200, Galveston Texas 77550
jhelton@visitgalveston.com 409-797-5130

No Proposals submitted after the above deadline will be accepted.

Process Schedule:

11/28/2022 – all questions or items of clarification emailed to jhelton@visitgalveston.com prior to 12:00pm CST on 11/28/2022

11/28/2022 – Addendum to questions asked before 11/28/2022 by 12:00pm CST will be posted by 5:00pm CST on 11/28/2022

12/5/2022 – seal proposals due before 12:00pm CST at above address

Project Title: Visit Galveston Box Truck with Lift Gate
REQUEST FOR PROPOSALS (Sealed Bids)

1. Introduction

- A. Project Overview: The Park Board of Galveston is requesting Proposals with the intent of Contracting for the services contained in Scope of Services.
- B. Questions: Following are contacts for questions as identified.
 - i. Scope of Service Questions: All questions related to the scope of services should be submitted in writing to the contact person(s) noted in Scope of Services.
 - ii. Replies: Responses to inquiries which directly affect an interpretation or effect a change to this RFP will be issued in writing by addendum and posted to Park Board website. All such addenda issued by Park Board prior to the submittal deadline shall be considered part of the RFP. The Park Board shall not be bound by any reply to an inquiry unless such reply is made by such formal written addendum.
 - iii. Acknowledgement of Addenda: The Respondent must acknowledge all addenda by signing and returning such document(s) or by initialing appropriate area of the Qualification document or the submittal will be marked Non-Responsive.
- C. Notification of Errors or Omissions: Respondents shall promptly notify the Park Board of any omissions, ambiguity, inconsistency, or error that they may discover upon examination of this RFP. The Park Board shall not be responsible or liable for any errors and/or misrepresentation that result from the submittal which are inadvertently incomplete, ambiguous, inconsistent, or obviously erroneous.
- D. Conflict of Interest Questionnaire (Form CIQ): A person or business, and their agents, who seek to contract or enter into an agreement with the Park Board, are required by Texas Local Government Code, Chapter 176, to file a conflict-of-interest questionnaire (FORM CIQ) which is found in Appendix C. The form must be filed with the Park Board no later than seven (7) days after the date the person or business begins contract discussions or negotiations with the Park Board, or submits an application, response to a Request for Qualification or Proposals, correspondence, or other writing related to any potential agreement with the Park Board. If no conflict exists, the offeror must mark the form Not Applicable or NA and return with the packet.
- E. Disclosure of Interested Parties Form 1295: A person or business, who enters a contract with the Park Board, meeting the conditions according to Texas Local Government Code Sec. 2252.908, is required to file Form 1295 with Texas Ethics Commission. **This form is not required unless there is a contract between the vendor and the Park Board. Do not submit this form unless you receive an award letter from the Park Board.**

2. Contact Information

Mailing & Physical Address: Park Board of Trustees of the City of Galveston
601 Tremont, Suite 200, Galveston, Texas 77550

Point of Contact Email Address: Identified on the Cover Page

3. General Information

- A. Tax Exempt Status: Park Board purchases are exempt from State Sales Tax and Federal Excise Tax. Park Board will furnish Excise Tax Exemption Certificate upon request.
- B. Public Inspection of Proposals: The Park Board strictly adheres to the Texas Public Information Act (Texas Government Code Chapter 552.001, et seq.) and all other governing statutes, regulations, and laws regarding the disclosure of RFP information. Qualification Documents are not available for public inspection until after the contract award. If the Respondent has notified the Park Board, in writing, that the Qualification Document contains trade secrets or confidential information, the Park Board will generally take reasonable steps to prevent disclosure of such information, in accordance with the Public Information Act. This is a statement of general policy only, and in no event shall the Park Board be liable for disclosure of such information by the Park Board in response to a request, regardless of the Park Board's failure to take any such reasonable steps, even if the Park Board is negligent in failing to do so.
- C. All Respondents are hereby put on notice that if the Respondent is awarded a contract for procurement of goods or services, the Park Board is entering into that contract in its governmental capacity, and not a proprietary capacity.
- D. The Park Board is required to verify, that company does not do business with Iran, Sudan, or any Foreign Terrorist Organization, pursuant to Texas Government Code, Chapter 2252, Section 2252.152, and Section 2252.153.

4. RFP Withdrawals and/or Amendments

- A. RFP Withdrawal: The Park Board reserves the right to withdraw this RFP for any reason.
- B. RFP Amendments: The Park Board reserves the right to amend any aspect of this RFP by formal written Addendum prior to the submittal deadline and will endeavor to notify all potential Respondents that have notified the point of contact of their intent to submit, but failure to notify shall impose no obligation or liability on the Park Board.

5. Estimated Quantities

The Park Board does not guarantee to purchase any minimum or maximum quantity but does contemplate purchasing exclusively during the term of the contract from the successful vendor(s).

6. Qualification Submittal Requirements

- A. Submittal Packet – How to submit: All Proposals must be submitted in person or by mail at the addresses in Section 2, above. No submittal will be accepted electronically, either by fax or email. Proposals submitted electronically will be marked non-responsive. Submittals shall be sealed and marked clearly with the **Request for Proposals number, Request for Proposals name, closing date and time, on the outside of the package or envelope.** Unidentifiable Proposals will be unopened and marked as non-responsive.

- B. Submittal Packet – Required Contents: All items in this RFP are considered part of the Proposals package. Submittals must include the package in its entirety; signed in the appropriate places by an authorized representative of the company with an **original signature**. Proposals not including all of the above will be considered non-responsive. A Submittal requires an Original signed document along with any other copies or media source as indicated on the cover page. If requested, please mark the Submittals “Original” and “Copy” and label the media source (preferred media is a jump/thumb drive). If requested, please submit the original and correct number of copies indicated on the title page, or Submittal will be marked “Non-responsive”. Offerors must submit their Proposals on the forms provided herein, otherwise, it will be marked non-responsive.
- C. Submittal Deadline: The deadline for submittal of Proposals shall be as identified on the title of the Request for Proposals. It is the Offeror’s responsibility to have all Documents, including Addenda, correctly submitted by the submittal deadline. No extensions will be granted, and no late Submittals will be accepted.
- D. Proposals Received Late: Respondents are encouraged to submit their Proposals as soon as possible. The time and date of receipt recorded by Park Board Reception or designee shall be the official time of receipt. The Park Board is not responsible for late submission regardless of the reason. Late Submittals will not be considered under any circumstances.
- E. Alterations or Withdrawals of Proposal Document: Any submitted Proposals may be withdrawn, or a revised Proposal substituted prior to the submittal deadline. Documents cannot be altered, amended, or withdrawn by the Respondent after the submittal deadline.
- F. Document Format (Qualifications): Statement of Qualification (SOQ) Responses should not be overly long or exceed thirty (30) pages in length, not including appendices or attachments, and should be formatted as follows: 8 ½ " x 11" paper, 12-pitch font size, and single-sided. Items such as resumes DO NOT count against the page limit. If complete responses cannot be provided without referencing supporting documentation, such documentation must be provided with the SOQ, with specific references made to the section tab number, page, and/or paragraph where the supporting information can be found. SOQs are to be prepared in such a way as to provide a straightforward, concise delineation of capabilities to satisfy the requirements of the solicitation.
- G. Questions and Responses: Questions regarding Proposals must be addressed to the Point of Contact identified in the request. The question deadline is noted on the cover page under Key Event Schedule. Responses will be answered after the question deadline in the form of an Addendum. No responses will be given to questions submitted after the deadline. Questions submitted outside of the identified Point of Contact will not be answered and any communication with a User Department prior to award by Park Board of Trustees will disqualify a vendor from being considered for award.
- H. Pre-Proposal Conferences: The date and time of a pre-proposal conference, if necessary, will be found on the cover page under Key Event Schedule.
- I. Validity Period: Once the submittal deadline has passed, any document shall constitute an irrevocable proposal to provide the commodities and/or services set forth in the Scope of

Services at the price(s) shown in the Proposal Document. Such proposal shall be irrevocable until the earlier of the expiration of ninety (90) days from the submittal deadline, or until a contract has been awarded by the Park Board.

7. Qualification Evaluation and Contract Award

- A. Evaluation and Contract Award Process: An award of a contract to provide the goods or services specified herein will be made using competitive sealed Proposals, in accordance with Chapter 252 of the Texas Local Government Code, Chapter 2254 of the Texas Government Code, and with the Park Board's purchasing policy. The Park Board will evaluate all Submittals to determine which offerors are reasonably qualified for the award of the contract, applying the anticipated evaluation factors and emphasis to be placed on each factor as identified in the Scope of Services. A variety of factors may be used in the evaluation of the submitted Proposals for this project. The Park Board may, at its option, conduct discussions with or accept Submittal revisions from any reasonably qualified Respondent. Discussions may not be initiated by offerors. **These discussions will be limited to issues and topics brought forth by the Park Board. Any attempt by respondent or vendor at deviating from the issues and topics to discuss other issues and topics concerning the Request for Proposals brought forth by the Park Board shall be grounds for disqualification.** Vendors shall not contact any Park Board personnel during the Request for Proposals process without the express permission from the Park Board's designated Point of Contact for this request.
- B. Correspondence: All correspondence relating to this Request for Proposals, from advertisement to award, shall be sent to the Park Board's designated Point of Contact for this request. All presentations and/or meetings between the Park Board and the vendor relating to this Request for Proposals shall be coordinated by the Park Board's designated Point of Contact for this request. The Park Board reserves the right to determine which submittal(s) provides the Park Board with the best value and which will be in the Park Board's best interest.
- C. Completeness: If Documents are incomplete or otherwise fail to conform to the requirements of the RFP, the Park Board alone will determine whether the variance is so significant as to render the Submittal non-responsive.
- D. Ambiguity: Any ambiguity in the Submittal Document as a result of omission, error, lack of clarity or non-compliance by the Respondent with specifications, instructions and all conditions shall be construed in the favor of the Park Board. In the event of a conflict between these standard RFP requirements and details provided in Scope of Services OR Request for Proposals, the mandatory signed documents shall prevail.
- E. Unit Prices and Extensions: If unit prices and their extensions do not coincide, the Park Board may accept the price most beneficial to the Park Board, and the Respondent will be bound thereby.
- F. Additional Information: Park Board may request any other information necessary to determine Respondent's ability to meet the minimum standards required by this RFP.
- G. Partial Contract Award: Park Board reserves the right to award one contract for some or all

the requirements proposed or award multiple contracts for various portions of the requirements to different Respondents based on the unit prices proposed in response to this request, or to reject any and all Submittals and re-solicit for Proposals, as deemed to be in the best interest of Park Board.

- H. No Commitment: The Request for Proposals does not commit the Park Board to award any costs or pay any costs, or to award any contract, or to pay any costs associated with or incurred in the preparation of a submittal to this request, or to procure or contract for services or supplies.
- I. Protest Procedures: Any actual or prospective Respondent who is allegedly involved with the solicitation or award of Proposal/bid/qualification may submit a protest to the decision. The protest must be submitted in writing to the Park Board of Trustees Chief Financial Officer within three working days after such aggrieved person knows of or should have known of the facts giving rise thereto. If the protest is not resolved by mutual agreement, the Controller will promptly issue a decision in writing to the protesting party.
 - i. All protest lodged by potential or actual Respondents, contractors or Respondents must be made in writing and contain the following information.
 - a. Name, address and telephone number of the protestor.
 - b. Identification of the solicitation or contract number and time.
 - c. A detailed statement of the protest's legal and factual grounds, including copies of relevant documents.
 - d. Identification of the issue (s) to be resolved and statement of what relief is requested.
 - e. Arguments and authorities in support of the protest.
 - f. A statement that copies of the protest have been mailed or delivered to all interested parties in the Request for Proposals process. In the case of Request for Proposals, the Park Board's Controller shall ask the protester to mail or deliver the protest to relevant parties.
 - g. The Park Board's Chief Executive Officer has the authority to render the final determination regarding the protest. Any determination rendered by the Park Board's Executive Director will be final.
- J. Single Proposal Response: If only one Submittal or Proposal is received in response to the Request, a detailed cost proposal may be requested of the single contractor. A cost/price analysis and evaluation and/or audit may be performed of the cost proposal in order to determine if the price is fair and reasonable.
- K. Re-Appropriation of Budget Items: The Park Board may reduce the funds allocated and the services required under this Agreement at its discretion. The Park Board shall notify Contractor in writing of this reduction. Contractor shall not perform any services subtracted from this Agreement. The de-obligation of funds does not require any formal amendment of this Agreement but shall be evidenced by a revised budget approved by Park Board of Trustees.
- L. Appropriation of Funds: The Park Board has established an appropriation (allocation) of funds for this project, if appropriated (allocated) funds are exhausted, the contractor's

only remedy shall be suspension or termination of its performance under this contract and shall have no other remedy in law or in equity against the Park Board and no right to damages of any kind.

M. Terminate for Cause: The occurrence of any one or more of the following events will justify termination of the contract by the Park Board for cause:

- i) The successful Respondent fails to perform in accordance with the provisions of these specifications; or
- ii) The successful Respondent violates any of the provisions of these specifications; or
- iii) The successful Respondent disregards laws or regulations of any public body having jurisdiction; or
- iv) The successful Respondent transfers, assigns, or conveys any or all of its obligations or duties under the contract to another without written consent of the Park Board or
- v) If one or more of the events identified in Subparagraphs M i) through iv) occurs, the Park Board may, terminate the contract by giving the successful Respondent seven (7) days written notice of such termination. In such case, the successful Respondent shall only be entitled to receive payment for goods and services provided before the effective date of termination. The successful Respondent shall not receive any payment on account of loss of anticipated profits or revenue or other economic loss resulting from such termination or
- vi) When the contract has been so terminated by the Park Board, such termination shall not affect any rights or remedies of the Park Board then existing or which may thereafter accrue.

N. Terminate for Convenience: This contract may be cancelled or terminated at any time by giving vendor thirty (30) days written notice. Vendor may be entitled to payment for services actually performed prior to termination; to the extent said services are satisfactory.

8. Pursuant to Sec. 2-341 of the Park Board Code – Declaration of Policy

- A. It is the policy of the Park Board to stimulate growth of local minority and women- owned business enterprise (M/WBE) by encouraging their participation in all phases of its contract and procurement activity and by affording them the opportunity to compete for all Park Board contracts. The purpose and objectives of this article are to:
- i. Increase the capacity of local M/WBE's to provide products and services.
 - ii. Increase the opportunities for local M/WBE's to expand their business with the Park Board and other public and private sector business entities.
- B. Provided, however, nothing herein shall require the Park Board to award contracts for services or procurements to a M/WBE which is not also the lowest responsive and responsible Respondent and otherwise qualified unless the Park Board may otherwise lawfully award the contract to someone other than the lowest responsive, responsible Respondent.

CONTRACT TERMS AND CONDITIONS

EXCEPT WHERE RESPONDENT MAKES SPECIFIC EXCEPTION IN THE SUBMITTED PACKAGE, ANY CONTRACT RESULTING FROM THIS RFP WILL CONTAIN THE FOLLOWING TERMS AND CONDITIONS, WHICH RESPONDENT HEREBY ACKNOWLEDGES, AND TO WHICH RESPONDENT AGREES BY SUBMITTING A PACKAGE:

1. **Delivery of Products and/or Services**

- A. Payment Terms: Unless otherwise specified in the Scope of Services or otherwise agreed to in writing by the Park Board, payment terms for the Park Board are Net 30 days upon receipt of invoice. Refer to Texas Local Government Code 2251, Payment for Goods and Services. Otherwise known as the Prompt Payment Act. Send all invoices to Park Board Attention: Accounts Payable, 601 Tremont, Suite 201, Galveston, Texas 77550 or email: the Point of Contact in this request.
- B. Warranty of Products and Services: All products furnished under this contract shall be warranted to be merchantable and good quality and fit for the purposes intended as described in this Submittal, to the satisfaction of Park Board and in accordance with the specifications, terms, and conditions of the Scope of Services, and all services performed shall be warranted to be of a good and workmanlike quality, in addition to, and not in lieu of, any other express written warranties provided.
- C. Late Delivery or Performance: If Respondent fails to deliver acceptable goods or services within the timeframes established in the Project Schedule, the Park Board shall be authorized to purchase the goods or services from another source and assess any increase in costs to the defaulting Respondent, who agrees to pay such costs within ten days of invoice.
- D. FOB (delivery charges): All products offered shall be FOB final destination, with all delivery charges to be prepaid by the Respondent. The Park Board does not accept C.O.D. or collect shipments. The contract price shall include all charges, including delivery, installation and set-up fees. All packing, crating, or other debris resulting from the delivery or set-up of the commodity purchased shall be removed and properly disposed by the successful Respondent at no additional cost to the Park Board.
- E. Title to Goods and Risk of Loss: For goods to be provided by Respondents hereunder, if any, the title and risk of loss of the goods shall not pass to Park Board until Park Board actually receives, takes possession, and accepts the goods and the installation of such goods, has tested the system, and determined that it is in good and acceptable working order.
- F. Force Majeure: If by reason of Force Majeure either party shall be rendered unable, wholly or in part, to carry out its responsibilities under this contract by any occurrence by reason of Force Majeure, then the party unable to carry out its responsibility shall give the other party notice and full particulars of such Force Majeure in writing within a reasonable time after the occurrence of the event, and such notice shall suspend the party's responsibility for the continuance of the Forced Majeure claimed, but for no longer period. Force Majeure means acts of God, floods, hurricanes, tropical storms, tornadoes, earthquakes, or other natural disasters, acts of public enemy, acts of terrorism, sovereign conduct, riots, civil

commotion, strikes or lockouts, and other causes that are not occasioned by either Party's conduct which by the exercise of due diligence the party is unable to overcome and which substantially interferes with operations.

- G. Liquidated Damages: The parties agree that, if the Project is not completed within the time specified plus any extensions of time allowed pursuant thereto, the actual damages sustained by the Owner because of any such delay will be uncertain and difficult of ascertainment, and that the reasonable foreseeable value of the use of said project by the Owner would be the sum of \$250.00 per calendar day. The Contractor therefore agrees to pay, and the Owner agrees to accept, as liquidated damages and not as a penalty, the sum of \$250.00 per calendar pay for each day's delay in fully completing said project beyond the time specified in the Contract and any extensions of such time allowed there under.
- H. Change Orders: per Texas Local Government Code Sec. 252.048. CHANGE ORDERS. (a) If changes in plans or specifications are necessary after the performance of the contract is begun or if it is necessary to decrease or increase the quantity of work to be performed or of materials, equipment, or supplies to be furnished, the governing body of the municipality may approve change orders making the changes.
- (b) The total contract price may not be increased because of the changes unless additional money for increased costs is appropriated for that purpose from available funds or is provided for by the authorization of the issuance of time warrants.
- (c) If a change order involves a decrease or an increase of \$50,000 or less, the governing body may grant general authority to an administrative official of the municipality to approve the change orders.
- (c-1) If a change order for a public works contract in a municipality with a population of 300,000 or more involves a decrease or an increase of \$100,000 or less, or a lesser amount as provided by ordinance, the governing body of the municipality may grant general authority to an administrative official of the municipality to approve the change order.
- (d) The original contract price may not be increased under this section by more than 25 percent. The original contract price may not be decreased under this section by more than 25 percent without the consent of the contractor.

2. **Miscellaneous**

- A. Independent Contractor: Respondent agrees that Respondent and Respondent's employees and agents have no employer-employee relationship with Park Board. Respondent agrees that if Respondent is selected and awarded a contract, Park Board shall not be responsible for the Federal Insurance Contribution Act (FICA) payments, Federal or State unemployment taxes, income tax withholding, Workers Compensation Insurance payments, or any other insurance payments, nor will Park Board furnish any medical or retirement benefits or any paid vacation or sick leave.
- B. Assignments: The rights and duties awarded the successful Respondent shall not be assigned to another without the written consent of the Chief Executive Officer. Such consent shall not relieve the assigner of liability in the event of default by the assignee.

- C. Liens: Respondent shall indemnify and save harmless the Park Board against any and all liens and encumbrances for all labor, goods, and services which may be provided to the Park Board by Respondent or Respondent's vendor(s), and if the Park Board requests, a proper release of all liens or satisfactory evidence of freedom from liens shall be delivered to the Park Board.
- D. Gratuities / Bribes: Respondent certifies that no bribes in the form of entertainment, gifts, or otherwise, were offered or given by the successful Respondent, or its agent or representative, to any Park Board officer, employee or elected representative, with respect to this RFP or any contract with the Park Board, and that if any such bribe is found to have been made this shall be grounds for voiding of the contract
- E. Financial Participation: Respondent certifies that it has not received compensation from the Park Board to participate in preparing the specifications or RFP on which the Request for Proposals is based and acknowledges that this contract may be terminated and/or payment withheld if this certification is inaccurate.
- F. Required Licenses: Respondent certifies that he holds all licenses required by the State of Texas for a provider of the goods and/or services described by the Scope of Services herein.
- G. Authority to Submit Proposal and Enter Contract: The person signing on behalf of Respondent certifies that the signer has authority to submit the package on behalf of the Respondent and to bind the Respondent to any resulting contract.
- H. Authority to Enter Contract – Park Board: The Park Board Chief Executive Officer is the only person authorized to execute contracts on behalf of the Park Board. All signature pages must include "approved as to form" and be signed by the Park Board Chief Executive Officer will execute the contract. Neither department heads nor elected/appointed officials are authorized to sign any binding contracts or agreements prior to being properly placed on the Park Board of Trustees agenda and approved in an open meeting. Department heads and other elected/appointed officials are not authorized to enter into any type of agreement or contract on behalf of the Park Board. Only the Chief Executive Officer may enter into a contract on behalf of the Park Board as authorized by Trustees. Additionally, department heads and other elected/appointed officials are not authorized to agree to any type of supplemental agreements or contracts for goods or services. Supplemental agreements are subject to review by the Park Board's Legal Department prior to being signed by the Chief Executive Officer or designee.
- I. Compliance with Applicable Law: Respondent agrees that the contract will be subject to, and Respondent will strictly comply with, all applicable federal, state, and local laws, ordinances, rules, and regulations.
- J. Non-Discrimination: During the performance of this contract, the contractor agrees as follows: (1) The contractor will not discriminate against any employee or applicant for employment because of race, age, disability, color, religion, sex, or national origin. The contractor will take affirmative action to ensure that applicants and employees are not discriminated against on the basis of race, age, disability, color, religion, sex or national origin. Such action shall include, but not be limited to the following: employment, upgrading, demotion, or transfer; recruitment or recruitment advertising; layoff or termination; rates of pay or other forms of compensation; and selection for training, including apprenticeship. The contractor agrees to post in conspicuous places, available to employees and applicants

for employment, notices to be provided by the contracting officer setting forth the provisions of this nondiscrimination clause. (2) The contractor will, in all solicitations or advertisements for employees placed by or on behalf of the contractor, state that all qualified applicants will receive consideration for employment without regard to race, age, disability, color, religion, sex or national origin. (3) In the event of the contractor's noncompliance with the nondiscrimination clauses of this contract or with any of the said rules, regulations, or orders, this contract may be canceled, terminated, or suspended in whole or in part and the contractor may be declared ineligible for further Government contracts or federally assisted construction contracts in accordance with procedures authorized in Executive Order 11246 of September 24, 1965, and such other sanctions as may be imposed and remedies invoked as provided in Executive Order 11246 of September 24, 1965, or by rule, regulation, or order of the Secretary of Labor, or as otherwise provided by law.

3. Financial Responsibility Provisions

- A. Insurance: The Bidder, consistent with its status as an independent contractor, shall carry, and shall require any of its subcontractors to carry, at least the following insurance in such form, with such companies, and in such amounts (unless otherwise specified in the Scope of Services) as Park Board may require, naming the Park Board and the City of Galveston as the additional insured:
- i. Worker's Compensation and Employer's Liability insurance, including All States Endorsement, to the extent required by federal law and complying with the laws of the State of Texas;
 - ii. Commercial General Liability insurance for at least One Million Dollars (\$1,000,000) on a per occurrence basis, with a Two Million (\$2,000,000) aggregate. Blanket Contractual Liability, Broad Form Property Damage, Personal Injury, Completed Operations/Products Liability, Premises Liability, Medical Payments, and Broad Form General Liability Endorsements;
 - iii. Comprehensive Automobile Liability insurance covering all owned, non-owned or hired automobiles to be used by the Contractor, with coverage at the minimum State of Texas requirements;
 - iv. Professional Liability, Errors and Omissions in an amount to be determined in the Scope of Services. Insurance coverage shall be on an "occurrence basis"
- B. Indemnification: In Accordance with State Law, the contractor agrees to indemnify, save, and hold harmless the Park Board, its employees, officials, and agents from any and all claims, actions, damages, lawsuits, proceedings, judgements, or liabilities, for personal injury, death, or property damage resulting from the acts or omissions of anyone under the contractor's supervision or control.

In the event of any cause of action or claim asserted by a party to this agreement or any third party, the Park Board will provide the contractor with timely notice of such claim, dispute or notice. Thereafter, the contractor shall at its own expense, faithfully and completely defend and protect the Park Board against any and all liabilities arising from this claim, cause of action, or notice.

- i. Indemnity for Intellectual Property: Bidder hereby warrants that the use or sale of the products, materials and services delivered hereunder will not infringe on the rights of any trade secrets, patent, copyright, registered trademark, or other intellectual property by right covering such materials and the successful Bidder agrees to indemnify and hold harmless the Park Board for any and all costs, expenses, judgments, and damages which the Park Board may have to pay or incur.
- C. Bond Requirements: If applicable, per the Scope of Services, prior to the commencement of work on this Project, Bidder shall deliver to the Park Board the following bonds issued by a good and sufficient surety licensed by the State of Texas and satisfactory to the Park Board:
 - i. A bid bond (for bids over \$25k) in the amount of 5% of the total bid amount;
 - ii. A payment bond (for bids over \$50k) in the amount of 100% of the total contract amount insuring the full and prompt payment of all persons performing labor and/or furnishing materials in connection with this Project;
 - iii. A performance bond (for bids over \$100k) in the amount of 100% of the total contract amount insuring full, faithful, and prompt performance of the responsibilities contained in this contract within the time parameters provided herein; and
 - iv. A maintenance bond insuring full and prompt maintenance, repair and/or replacement of the goods to be provided by Bidder for a period of two years from date of acceptance by the Park Board.

4. Cost of Proposed Products and/or Services

- A. Pricing: Pricing shall reflect the full Scope of Services defined herein, inclusive of all associated cost for delivery, labor, insurance, taxes, overhead, and profit.
- B. Schedule of Pricing: Bidder shall quote unit pricing in accordance with the itemized listing of products or contract segments using the pricing form provided.

THIS FORM MUST BE COMPLETED AND SUBMITTED WITH THE PACKAGE

PROPOSALS INFORMATION

Having read and understood the instructions, terms, conditions and specifications, we submit the following:

Lawrence Zerank
Witness

11/16/21
Date

Vanguard Truck Centers of Houston
Company Name

Lucas DeVilliers
Authorized Representative Signature

Lucas DeVilliers
Printed Name

New Truck Sales
Title

12935 Crosby Freeway
Correspondence Address

Houston TX, 77049
City, State, Zip Code

17602776431
Tax Identification Number (TIN/FIEN/SSN)

12935 Crosby Freeway
Remit Address

Houston TX, 77049
City, State, Zip Code

(281) 677-2200
Telephone Number

N/A
Fax Number

Lucas.Devilliers@vanguardtrucks.com
Email address

CONFLICT OF INTEREST QUESTIONNAIRE

FORM CIQ

For vendor or other person doing business with local governmental entity

This questionnaire reflects changes made to the law by H.B. 1491, 80th Leg., Regular Session.
This questionnaire is being filed in accordance with Chapter 176, Local Government Code by a person who has a business relationship as defined by Section 176.001(1-a) with a local governmental entity and the person meets requirements under Section 176.006(a).
By law this questionnaire must be filed with the records administrator of the local governmental entity not later than the 7th business day after the date the person becomes aware of facts that require the statement to be filed. See Section 176.006, Local Government Code.
A person commits an offense if the person knowingly violates Section 176.006, Local Government Code. An offense under this section is a Class C misdemeanor.

OFFICE USE ONLY
Date Received

1 Name of person who has a business relationship with local governmental entity.

Vanguard Truck Centers of Houston

2 Check this box if you are filing an update to a previously filed questionnaire.

(The law requires that you file an updated completed questionnaire with the appropriate filing authority not later than the 7th business day after the date the originally filed questionnaire becomes incomplete or inaccurate.)

3 Name of local government officer with whom filer has employment or business relationship.

Jacquelyn Helton
Name of Officer

This section (item 3 including subparts A, B, C & D) must be completed for each officer with whom the filer has an employment or other business relationship as defined by Section 176.001(1-a), Local Government Code. Attach additional pages to this Form CIQ as necessary.

A. Is the local government officer named in this section receiving or likely to receive taxable income, other than investment income, from the filer of the questionnaire?

Yes No

B. Is the filer of the questionnaire receiving or likely to receive taxable income, other than investment income, from or at the direction of the local government officer named in this section AND the taxable income is not received from the local governmental entity?

Yes No

C. Is the filer of this questionnaire employed by a corporation or other business entity with respect to which the local government officer serves as an officer or director, or holds an ownership of 10 percent or more?

Yes No

D. Describe each employment or business relationship with the local government officer named in this section.

4 [Signature]
Signature of person doing business with the governmental entity

11/16/22
Date

How do I go about filling out the Conflict of Interest Questionnaire form?

Each number below corresponds with the number on FORM CIQ 2:

1. Fill in the full name of the person who is trying to do business with the City. If the person is a corporation, partnership, etc., then it is the name of that corporation, partnership, etc., that is required on Form CIQ.
2. Check box if the form is an update to a form previously completed. Updates are required by the 7th business day after an event that makes a statement in a previously filed questionnaire incomplete or inaccurate. Updates are also required by September 1 of each year in which the person submits a proposal, bid or response to the City of Waco or begins contract discussions or negotiations with the City.
3. Complete this Section by listing the name of the local government officer (member of City Council or City Manager) with whom there is an affiliation to or business relationship and you checked the "Yes" box in Section 3 A, B, or C.
If there is more than one local government officer (City Council or City Manager) with whom there is an affiliation or business relationship, more than one page two may be needed to provide information on each local government officer.
4. State whether the local government officer named on the form receives or is likely to receive taxable income, other than investment income, from the vendor filing the questionnaire.
5. State whether the filer receives or is likely to receive taxable income, other than investment income, from or at the direction of the local government officer named on the form AND the taxable income is not received from the local governmental entity.
6. State whether the filer is employed by a corporation or other business entity with which the local government officer serves as an officer or director or holds an ownership interest of 10% or more.
7. Describe each employment or business relationship with the local government officer named on the form.
8. Signature box. Person completing form must date and sign the form. If the form is being completed for a corporation, partnerships, etc., the person signing should be someone who is authorized to act on behalf of the corporation, partnership, etc.

A signature is required in box #4 regardless of any other entry on the form.

A copy of Chapter 176 of the Texas Local Government Code can be found at:

<http://www.statutes.legis.state.tx.us/SOTWDocs/LG/htm/LG.176.htm>

House Bill 89 Verification

I, Lucas DeVilliers (Person name), the undersigned representative of (Company or Business's Name) Vanguard Truck Centers of Houston (hereinafter referred to as Company) **being an adult over the age of eighteen (18) years of age, after being duly sworn by the undersigned notary, do hereby depose and verify under oath that the company named-above, under the provisions of Subtitle F, Title 10, Government Code Chapter 2270:**

- a. **Does not boycott Israel currently; and**
- b. **Will not boycott Israel during the term of the contract the above-named Company, business or individual with the Park Board.**

Pursuant to Section 2270.001, Texas Government Code:

1. "Boycott Israel" means refusing to deal with, terminating business activities with, or otherwise taking any action that is intended to penalize, inflict economic harm on, or limit commercial relations specifically with Israel, or with a person or entity doing business in Israel or in an Israeli-controlled territory, but does not include an action made for ordinary business purposes; and
2. "Company" means a for-profit sole proprietorship, organization, association, corporation, partnership, joint venture, limited partnership, limited liability partnership, or any limited liability company, including a wholly owned subsidiary, majority-owned subsidiary, parent company or affiliate of those entities or business associations that exist to make a profit.

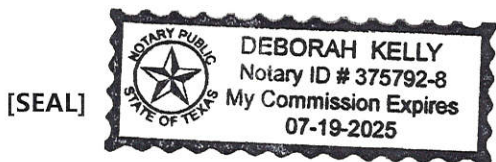
11/16/22
DATE

Lucas DeVilliers
SIGNATURE OF COMPANY REPRESENTATIVE

STATE OF Texas §
COUNTY OF Harris §

On this day, BEFORE ME, the undersigned, personally appeared Lucas DeVilliers, the New Truck Sales of Company, and personally known to me or proved to me on the basis of satisfactory evidence to be the individual whose name is subscribed to the within instrument and acknowledged to me that he/she executed the same in his/her capacity, and that by his/her signature on the instrument, the individual executed the instrument for purposes and consideration therein expressed.

GIVEN UNDER MY HAND AND SEAL OF OFFICE this 16th day of Nov, 2022



Debra Kelly
NOTARY PUBLIC in and for the
State of TX

THIS DOCUMENT MUST BE COMPLETED AND SUBMITTED AS PART OF THE PACKAGE

Property Tax Statement

FAILURE TO COMPLETE THIS ATTACHMENT SHALL RESULT IN THE PURCHASING SUPERVISOR DEEMING YOUR BID OR PROPOSAL "NON-RESPONSIVE."

The Park Board has adopted the following policy:

The Park Board will not do business with any person or business that owes delinquent property taxes to the City of Galveston.

Please indicate whether you or your company, owe delinquent property taxes to the City of Galveston whether an assumed name, partnership, corporation, or any other legal form.

I do not owe the City of Galveston property taxes that are delinquent.

I owe the City of Galveston property taxes that are delinquent on property located at

Lucas Bellilliers - Vanguard Truck Centers of Houston

Bidder's Printed or Typed Name



Bidder's Signature

11/16/22

Date

Trade Secrets and/or Confidential Information

Trade Secrets and/or Confidential Information: This Submittal does OR does not

contain trade secrets and/or confidential information. If applicable, describe such trade secrets and confidential information, and the basis for your assertion that such material qualifies for legal protection from disclosure.

Confidentiality of Information: Pursuant to State Law, submittals will be open in a manner that avoids disclosure of the contents to competing offerors and keeps them secret during negotiations.

Lucas Bellilliers - Vanguard Truck Centers of Houston

Bidder's Printed or Typed Name



Bidder's Signature

11/16/22

Date

THIS DOCUMENT MUST BE COMPLETED AND SUBMITTED AS PART OF THE PACKAGE

Nepotism Statement

FAILURE TO COMPLETE THIS ATTACHMENT SHALL RESULT IN THE PURCHASING SUPERVISOR DEEMING YOUR BID OR PROPOSAL "NON-RESPONSIVE."

The Bidder or Proposer or any officer, if the Bidder or Proposer is other than an individual, shall state whether Bidder or Proposer has a relationship, either by blood or marriage, with any official or employee of the Park Board of Galveston by completing the following:

If the Bidder or Proposer is an individual:

I am not related by blood or marriage to any official or employee of the Park Board

I am related by blood or marriage to the following official(s) or employee(s) of the Park Board

Name and title of Park Board Official

Or employee: N/A

Relationship: N/A

If the Bidder or Proposer is **NOT** an individual:

The officers of the company submitting this bid or proposal are not related by blood or marriage to any official or employee of the Park Board.

The officers of the company submitting this bid are related by blood or marriage to the following official(s) or employee(s) of the Park Board.

Name and title of officer: N/A

Employee and title of Park Board Official or Employee: N/A

Relationship: N/A

THIS DOCUMENT MUST BE COMPLETED AND SUBMITTED AS PART OF THE PACKAGE

Non-Collusion Statement

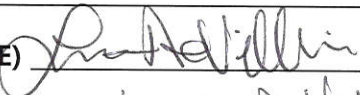
THE UNDERSIGNED AFFIRM THAT THEY ARE DULY AUTHORIZED TO EXECUTE THIS CONTRACT, THAT THIS COMPANY, FIRM, PARTNERSHIP OR INDIVIDUAL HAS NOT PREPARED THIS BID IN COLLUSION WITH ANY OTHER BIDDER, AND THAT THE CONTENTS OF THIS BID AS TO PRICES, TERMS OR CONDITIONS OF SAID BID HAVE NOT BEEN COMMUNICATED BY THE UNDERSIGNED NOR BY ANY EMPLOYEE OR AGENT TO ANY OTHER PERSON ENGAGED IN THIS TYPE OF BUSINESS PRIOR TO THE OFFICIAL OPENING OF THIS BID.

VENDOR Vanguard Truck Centers of Houston

ADDRESS 12935 Crosby Freeway, Houston, TX 77049

PHONE (281) 677-2200

FAX N/A

BIDDER (SIGNATURE) 

BIDDER (PRINTED NAME) Lucas Belilliers

POSITION WITH COMPANY New Truck Sales

SIGNATURE OF COMPANY OFFICIAL AUTHORIZING THIS BID  Zerante, L

COMPANY OFFICIAL (PRINTED NAME) Larry Zerante

OFFICIAL POSITION New Truck sales manager

THIS DOCUMENT MUST BE COMPLETED AND SUBMITTED AS PART OF THE PACKAGE

Document 00435

DOCUMENT 00435, REQUIRED BY ALL BIDDERS WHO WILL RECEIVE FEDERAL FUNDS IN PAYMENT OF PROCUREMENT.

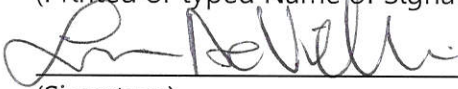
BIDDER'S CERTIFICATION REGARDING DEBARMENT, SUSPENSION, INELIGIBILITY AND VOLUNTARY EXCLUSION (49 CFR PART 29)

The undersigned certifies, by submission of this Bid or acceptance of this contract, that neither Contractor nor its principals is presently debarred, suspended, proposed for debarment, declared ineligible, or voluntarily excluded from participation in this transaction by any Federal department or agency. Bidder agrees that by submitting this proposal that Bidder will include this clause without modification in all lower tier transactions, solicitations, proposals, contracts, and subcontracts. Where the Bidder or any lower tier participant is unable to certify to this statement, that participant shall attach an explanation to this document.

Certification-the above information is true and complete to the best of my knowledge and belief.

Lucas DeVilliers

(Printed or typed Name of Signatory)



(Signature)

11/16/22

(Date)

NOTE: The penalty for making false statements in offers is prescribed in **18 U.S.C. 1001**

THIS DOCUMENT MUST BE COMPLETED AND SUBMITTED AS PART OF THE PACKAGE

Scope of Services

Visit Galveston Box Truck with Lift Gate

The Park Board of Trustees of the City of Galveston (Park Board) is accepting Sealed Proposals for a Visit Galveston Box Truck with Lift Gate.

All questions shall be in writing, submitted to: jhelton@visitgalveston.com. Questions are due **on or before November 28, 2022 @ 12:00pm (Noon) CST**. Responses will be answered after the question deadline in the form of an Addendum. No responses will be given to questions submitted after the deadline. Questions submitted to anyone outside of Jacquelyn Helton, Director of Destination Experience will not be answered and any communication with another Department prior to award by Park Board of Trustees will disqualify the bid.

Sealed bids must be submitted in writing to Jacquelyn Helton, Director of Destination Experience, Park Board of Trustees, 601 Tremont, Suite 200, Galveston, Texas 77550, **no later than 12:00pm CST on December 5, 2022**. Clearly mark your submission **“Visit Galveston Box Truck with Lift Gate”**. Bids will be opened immediately after at 601 Tremont, Galveston, Texas 77550. Bids delivered via email or facsimile will not be accepted.

SCOPE OF WORK DETAILS & MAJOR FUNCTIONS TO BE PERFORMED

The following is a summary of the major functions, features and services expected to be performed and provided.

Objective: The objective of this RFP is to select a qualified vendor to provide a cargo box with lift gate.

Background: Visit Galveston is seeking to purchase a cargo box truck in order to greatly reduce the cost to transfer/ship owned experiential assets.

Project: Visit Galveston is seeking a qualified vendor to provide a cargo box with lift gate that meets certain specifications, in order to greatly reduce the cost to transfer/ship owned experiential assets.

Scope of work:

Vehicle:

- GVWR: Can be Light Duty to Medium Duty
- Suspension: Spring (air, coil or leaf)
- Fuel Type: Unleaded or Diesel
- Transmission: Automatic 6-speed or similar
- Cab Type: Manufacturer standard
- Body Type: Cargo Box
- Cargo Box Length: Minimum 14'

- Cargo Box Width: Minimum 8'
- Lift Gate: Equipped with working lift gate
- Fuel Tank: Single, minimum 30-gallon capacity
- Tire size: manufacturer standard rated for truck, all weather
- Axles: Single
- Cab Features: AM/FM Radio, air conditioning and heat equipped, defrost
- Brakes: ABS
- Steering: Power
- Back-up Alarm: Required
- Windshield: Manufacturer standard with no cracks, working wipers equipped with blades
- Cruise Control
- Power Windows and Mirrors
- Tilt Wheel

Box

- Must have illumination
- Roll Up Door Clearance: Minimum 8' in height
- Wall tie downs
- Solid floor that can hold at least 5,000 pounds
- Lift gate with vending stop and hydraulic operation

Vehicles that do not meet the specifications above will not be considered in any way.

NATURE OF SERVICES REQUIRED

Prospective providers must provide satisfactory evidence to demonstrate their responsibility, including the responsibility of their proposed subcontractors. To be determined responsible (1) a prospective contractor must have adequate financial resources to perform the contract (including any required bonding or insurance), or the ability to obtain them, (2) the contractor must be able to comply with the required schedule, taking into consideration all existing commercial and governmental business commitments, (3) have a satisfactory performance record, (4) have a satisfactory record of integrity and business ethics, (5) have the organizational experience, operational skills or the ability to obtain them, (6) have the technical equipment and manpower or the ability to obtain them, (7) be otherwise qualified and eligible to receive an award under applicable laws and regulations.

General & Miscellaneous Bid Information:

- Contractor shall submit all Park Board required documentation included in this package;
- In determining and evaluating the best submission: quality, efficiency, utility, general terms, delivery, suitability service offered and the reputation of the service in general use will also be considered along with any other relevant items. It is the intent of the Park Board to select a vendor that has the necessary background, qualifications and experience;
- The Park Board may require the Contractor to follow additional regulations or perform additional services to comply with any administrative, policy or ordinance changes;

- Qualified bids will be determined, and all vendors are subject to final approval by the Park Board of Trustees at a Regular or Special Called meeting. The Park Board invites all vendors and encourages Historically Underutilized Business, minority owned, small business and/or local entrepreneurs to consider Galveston Island as its next business venture;
- The Park Board reserves the right to choose to include or delete items in the scope of work that become funding prohibitive;
- The Park Board reserves the right to waive any formality and to reject any and all bids, or to accept any bid which in its opinion is the most responsive. Bids received after the requested date and time will not be accepted. Incomplete documentation will not be accepted.



New Vehicle Purchase Agreement

VANGUARD TRUCK CENTER OF HOUSTON
 12935 Crosby Fwy
 Houston TX 77049
 Phone: (281) 677-2200

DE-10000
 PROS-018014
 Nelson Calderon

PROS-018014
VISIT GALVESTON
 601 TREMONT ST.
 GALVESTON TX 77550
 P:(409) 797-5000

VISIT GALVESTON
 601 TREMONT ST.
 GALVESTON, TX 77550

Stock#: 1176796	VIN:54DB4W1D6PS206001	New 2023 Isuzu NPR	Price:	\$78,000.00
			Total Price	\$78,000.00
			Dealer Inventory Tax	\$230.72
			Total	<u>\$78,230.72</u>

PRICING NCLUDES 14' BOX WITH TUCK UNDER LIFGATE 2500LB CAPACITY.

New Vehicle Purchase Agreement

VANGUARD TRUCK CENTERS (the "COMPANY") SELLS THIS VEHICLE ON AN "AS IS WHERE IS" BASIS AND MAKES NO WARRANTIES AS TO SAID VEHICLE'S, EXPRESS, IMPLIED, OR IMPLIED BY LAW, AND COMPANY EXPRESSLY DISCLAIMS THE IMPLIED WARRANTY OF MERCHANTABILITY AND THE IMPLIED WARRANTY OF FITNESS FOR A PARTICULAR PURPOSE.

DATE ACCEPTED: _____ BY: _____

Email-nelson.calderon@vanguardtrucks.com

Nelson Calderon
 SALES REPRESENTATIVE

SALES MANAGER

(PRINT NAME OF PURCHASER) **VISIT GALVESTON** (TITLE)
 (BUSINESS NAME) (PHONE)
601 TREMONT ST.
 ADDRESS
GALVESTON TX 77550
 CITY, STATE, ZIP

ANY WARRANTIES OF THE VEHICLE ARE THE MANUFACTURER'S STANDARD VEHICLE WARRANTY, A COPY OF WHICH HAS BEEN DELIVERED TO THE PURCHASER, WHICH IS NOT INCORPORATED HEREIN BY REFERENCE. THE COMPANY SHALL NOT BE LIABLE FOR CONSEQUENTIAL DAMAGES, INCLUDING, BUT NOT LIMITED TO, LOSS OF INCOME.

THE TERMS AND CONDITIONS ON THE REVERSE SIDE HEREOF ARE A PART OF THIS AGREEMENT. THE PURCHASER ACKNOWLEDGES HAVING READ THIS AGREEMENT, INCLUDING SUCH TERMS AND CONDITIONS ON THE REVERSE SIDE. NO VEHICLES ARE HELD MORE THAN 5 DAYS WAITING FOR CREDIT APPROVAL.

TERMS AND CONDITIONS:

This Purchase Agreement is tendered by the Purchaser for acceptance by Vanguard Truck Centers (hereinafter called the "Company"). It is understood that it will not be binding upon the Company unless accepted and signed by an authorized executive of the Company.

If the terms of payment herein provided are other than cash, the Purchaser agrees to execute and deliver to the Company, prior to the delivery of said vehicle(s), a security agreement in the form customarily required by the Company or an applicable lender, covering said vehicle(s) in order to secure the payment of the indebtedness due hereunder. The Purchaser further agrees that this Purchase Agreement shall be subject to all the terms and conditions of said security agreement, which shall supersede this Purchase Agreement to the extent inconsistent herewith; provided that Purchaser's assertions and/or warranties as to any used motor vehicle or equipment traded in by the Purchaser and taken by the Company as part of payment hereunder (hereinafter such used motor vehicle or equipment is called the "used equipment") shall survive the execution of the security agreement.

The Company shall not be held responsible for any loss, damage, detention, delay or failure to deliver resulting from any cause which is unavoidable or beyond the Company's reasonable control, including, but not limited to fire, flood, natural disaster, strike or labor disturbance, accident, vandalism, riot or insurrection, war, any order, decree, law or regulation of any court, government or governmental agency, shortage of materials, demand in excess of available supply, failure or interruption of normal transportation or power facilities; NOR IN ANY EVENT SHALL THE COMPANY BE LIABLE FOR CONSEQUENTIAL DAMAGES, INCLUDING, BUT NOT LIMITED TO LOSS OF INCOME. The receipt of said vehicles(s) by the Purchaser upon delivery shall constitute a waiver of all claims for loss or damage due to delay.

The Purchaser warrants that the used equipment traded in, if any, is free from all liens and/or encumbrances, title defects including but not limited to flood titles, rebuilt titles or odometer discrepancy titles, of any nature whatsoever, and that the Purchaser has good and marketable title to the used equipment at the time of delivery thereof to the Company. The used equipment is to be delivered to the Company in the same condition and appearance in which it was when first inspected by the Company or its agent. The Company, upon delivery of such used equipment, shall have the right once again to inspect such used equipment and the Company shall be the sole judge as to its condition,

with the right to accept or reject the used equipment at its option. If the used equipment to be delivered to the Company is not in a condition and appearance as good as it was when first inspected by the Company, the Company shall have the right to revalue the amount of allowance offered for such equipment and the total cash purchase price shall be increased accordingly.

The Purchaser agrees that the amount of the allowance made upon the used equipment, if any, is to be applied by the Company as part payment on the purchase price of said vehicle(s).

In the event that the within Purchase Agreement is accepted by the Company and the Purchaser fails to pay the purchase price and accept delivery and perform under this Purchase Agreement pursuant to its terms, the Company will pursue all damages at law and in equity that the Company believes it is owed.

In the event that the within Purchase Agreement is cancelled by mutual written agreement of the Company and the Purchaser or if the Company is unable to make delivery of said vehicle(s), the Company will return and the Purchaser will accept the cash and the used equipment (or if the used equipment shall have been sold, the net amount received by the Company from the sale thereof (less a 15% sales commission charge) in full discharge of any obligations of the Company to the Purchaser hereunder.

The Purchaser agrees that all previous communications between the Purchaser and the Company, either verbal or written, with reference to the subject matter of this Purchase Agreement, are hereby integrated into the Purchase Agreement and that this Purchase Agreement contains and accurately describes all agreements between Purchaser and Company. The Purchaser further agrees that no modification of this Purchase Agreement shall be binding upon the Company unless such modifications shall be in writing and agreed to and accepted in writing by an executive of the Company.

A security interest in said vehicle(s) shall remain in the Company until the payment in full of the purchase price or, if the terms of payment herein provided are other than cash, until the execution and delivery of a security agreement, as hereinabove provided, at which time the terms of said security agreement shall control with respect to the title and ownership of said vehicle(s).

In the event of Purchaser's failure to make payment of the purchase price when due, the Company may take immediate possession of said vehicle(s), without demand or further notice. For this purpose and in furtherance thereof, the Purchaser shall, if the Company so requests, make said vehicle(s) available to the Company at a reasonably convenient place designated by it, and the Company shall have the right, and the Purchaser does hereby authorize and empower the Company, its agents, servants or employees, to enter upon the premises wherever said vehicle(s) may be and remove the same; and the Purchaser hereby expressly waives any action or right of action of any kind whatsoever against the Company, its agents, servants or employees because of the removal, repossession or retention of said vehicle(s) or otherwise.

If the cost to the Company of insurance to be furnished by the Company hereunder is increased at any time prior to the delivery of said vehicle(s), the Purchaser agrees to pay for the insurance herein provided for at such increased rate.

It is agreed that if the cost of labor, materials, body, accessories or other equipment or component parts increases beyond the basis upon which the price set forth herein was established, then the Company, at any time before delivery, may give the Purchaser written notice of an increase in price, and such increased price shall be the contract price, unless Purchaser within ten days thereafter shall give Company written notice of cancellation. Any such increase in the contract price, pursuant to this provision, however, shall not prevent additional increases, if necessary, under the circumstances set forth herein at any time prior to delivery.

ALL TAXES NOW OR HEREAFTER IMPOSED UPON THE MANUFACTURER OR SALE OF SAID VEHICLE(S) SHALL BE PAID BY THE PURCHASER.

This instrument contains the entire agreement between the parties, and there are no understandings or representations not contained herein.

Customer Initials _____ Date _____

MODEL	NPR Gas
GVWR / GCWR	12,000 lbs. / 18,000 lbs.
WB	109 in., 132.5 in., 150 in., 176 in.
CA	86.5 in., 110 in., 127.5 in., 153.5 in.
ENGINE	GMPT L8T (Gen V), 8-cylinder, V Block 4-cycle, OHV, Direct Fuel Injection, Oil Jet Piston Cooling
MODEL/DISPLACEMENT	GMPT-V8/400 CID (6.6 liters)
HP (GROSS)	350 HP @ 4500 RPM
TORQUE (GROSS)	425 lb.-ft. @ 3800 RPM
EQUIPMENT	Direct injection technology, mass air flow meter, powertrain interface module (PIM), onboard diagnostics, oxygen sensors, catalytic convertor, map sensor, with external oil cooler, engine cruise control, and rear engine cover.
TRANSMISSION	6L90 Hydra-Matic 6-speed automatic with lock-up converter and double overdrive. No PTO opening.
STEERING	Integral power steering 18.8-20.9:1 ratio. Tilt and telescoping steering column.
FRONT AXLE	Reverse Elliot "I" -beam rated at 6,830 lbs.
FRONT SUSPENSION	Semi-elliptical steel alloy tapered leaf springs with stabilizer bar and shock absorbers.
FRONT GAWR	4,860 lbs.
REAR AXLE	Full floating single speed with hypoid gearing rated at 14,550 lbs.
REAR SUSPENSION	Semi-elliptical steel alloy multi-leaf springs and shock absorbers.
REAR GAWR	8,840 lbs.
WHEELS	16 x 6.0 - 6 hole disc wheels, painted white.
TIRES	215/85R-16E (10 ply) LRR (Low Rolling Resistance) tubeless steel belted radials, all season front and rear
BRAKES	Dual circuit vacuum assisted hydraulic service brakes with EBD (Electronic Brake Distribution) system for load proportioning of the brake system front and rear disc brake. The parking brake is a mechanical, cable actuated, internal expanding drum type, transmission mounted. 4 channel anti-lock brake system.
FUEL TANK	38.6 gal. rectangular stainless steel fuel tank. Mounted between the frame rails with electric type fuel pump (mounted in tank) and fuel tank zone module (mounted on rearward crossmember). Through the rail fuel fill.
FRAME	Ladder type channel section straight frame rail 33.5 inches wide through the total length of the frame. Yield strength 44,000 psi, section modulus 7.20 in ³ , RBM 316,800 lb-in
CAB	All steel, low cab forward, BBC 70.9 in, 45° mechanical tilt with torsion assist.
CAB EQUIPMENT	TRICOT breathable cloth covered high back driver's seat with two occupant passenger seat. Dual cab mounted exterior mirrors with integral convex mirror. Tilt and telescoping steering column. Power windows and door locks, floor mats, tinted glass. AM/FM/CD Radio with Aux input/USB port and Bluetooth. Rear body dome lamp switch. Cab latch switch and indicator with buzzer. Bi-LED Head Lamps and Signature Light
ELECTRICAL	12 volt, negative ground, 750 CCA maintenance free battery located on frame, 170 Amp alternator with integral regulator.
OPTIONS	See last page for options.

Note: These selected specifications are subject to change without notice.

MODEL	NPR-HD Gas
GVWR / GCWR	14,500 lbs. / 20,500 lbs.
WB	109 in., 132.5 in., 150 in., 176 in.
CA	86.5 in., 110 in., 127.5 in., 153.5 in.
ENGINE	GMPT L8T (Gen V), 8-cylinder, V Block 4-cycle, OHV, Direct Fuel Injection, Oil Jet Piston Cooling
MODEL/DISPLACEMENT	GMPT-V8/400 CID (6.6 liters)
HP (GROSS)	350 HP @ 4500 RPM
TORQUE (GROSS)	425 lb.-ft. @ 3800 RPM
EQUIPMENT	Direct injection technology, mass air flow meter, powertrain interface module (PIM), onboard diagnostics, oxygen sensors, catalytic convertor, map sensor, with external oil cooler, engine cruise control, and rear engine cover.
TRANSMISSION	6L90 Hydra-Matic 6-speed automatic with lock-up converter and double overdrive. No PTO opening.
STEERING	Integral power steering 18.8-20.9:1 ratio. Tilt and telescoping steering column.
FRONT AXLE	Reverse Elliot "I" -beam rated at 6,830 lbs.
FRONT SUSPENSION	Semi-elliptical steel alloy tapered leaf springs with stabilizer bar and shock absorbers.
FRONT GAWR	6,630 lbs.
REAR AXLE	Full floating single speed with hypoid gearing rated at 14,550 lbs.
REAR SUSPENSION	Semi-elliptical steel alloy multi-leaf springs and shock absorbers.
REAR GAWR	11,020 lbs.
WHEELS	19.5 x 6.0 - 6 hole disc wheels, painted white.
TIRES	225/70R-19.5G (14 ply) LRR (Low Rolling Resistance) tubeless steel belted radials, all season front and rear
BRAKES	Dual circuit vacuum assisted hydraulic service brakes with EBD (Electronic Brake Distribution) system for load proportioning of the brake system front and rear disc brake. The parking brake is a mechanical, cable actuated, internal expanding drum type, transmission mounted. 4 channel anti-lock brake system.
FUEL TANK	38.6 gal. rectangular stainless steel fuel tank. Mounted between the frame rails with electric type fuel pump (mounted in tank) and fuel tank zone module (mounted on rearward crossmember). Through the rail fuel fill.
FRAME	Ladder type channel section straight frame rail 33.5 inches wide through the total length of the frame. Yield strength 44,000 psi, section modulus 7.20 in ³ , RBM 316,800 lb-in
CAB	All steel, low cab forward, BBC 70.9 in, 45° mechanical tilt with torsion assist.
CAB EQUIPMENT	TRICOT breathable cloth covered high back driver's seat with two occupant passenger seat. Dual cab mounted exterior mirrors with integral convex mirror. Tilt and telescoping steering column. Power windows and door locks, floor mats, tinted glass. AM/FM/CD Radio with Aux input/USB port and Bluetooth. Rear body dome lamp switch. Cab latch switch and indicator with buzzer. Bi-LED Head Lamps and Signature Light
ELECTRICAL	12 volt, negative ground, 750 CCA maintenance free battery located on frame, 170 Amp alternator with integral regulator.
OPTIONS	See last page for options.

Note: These selected specifications are subject to change without notice.

VEHICLE WEIGHTS AND DIMENSIONS

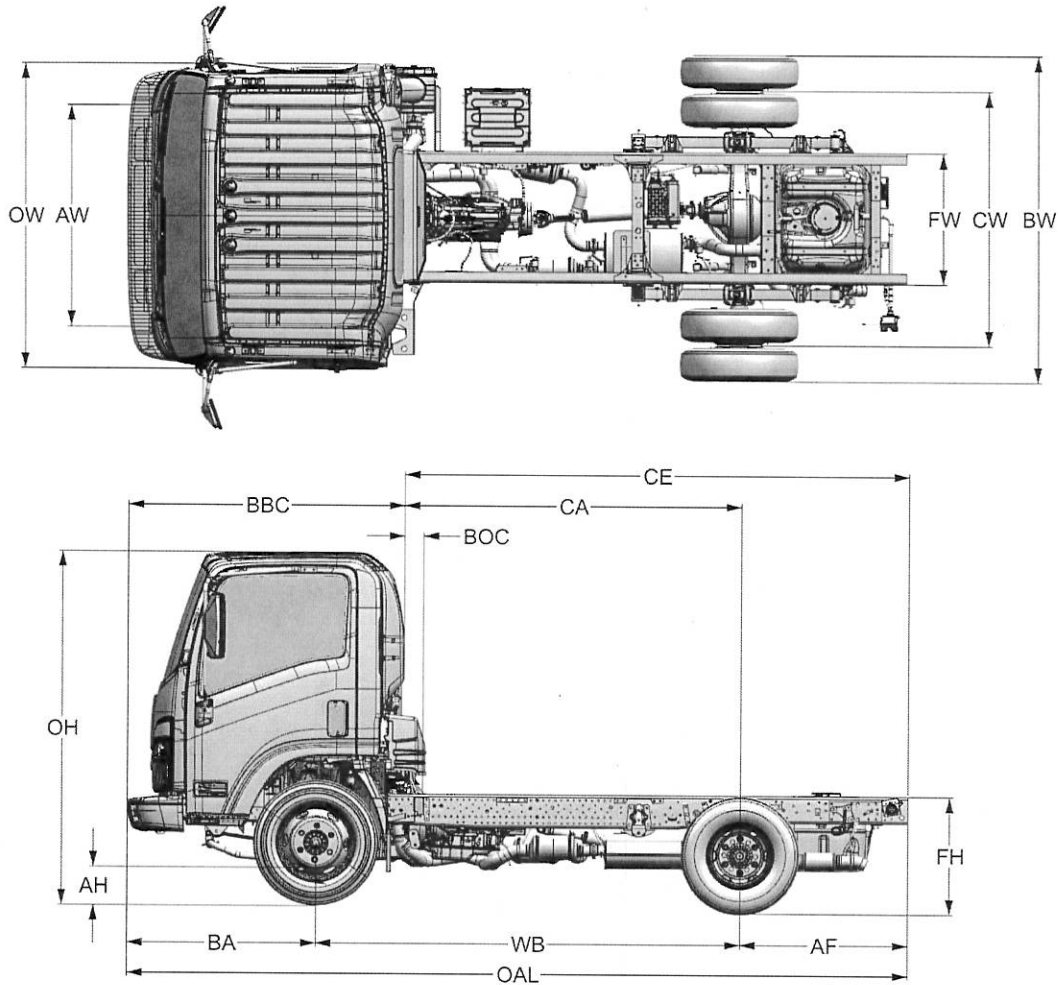


Figure 1: N-Series Gas Cab Chassis Dimensions

CHASSIS DIMENSIONS (in.)				
WB	CA ^[1]	CE ^[2]	AF	OAL
109	86.5	129.6	43.1	200.5
132.5	110.0	153.1	43.1	224.0
150	127.5	170.6	43.1	241.5
176	153.5	196.6	43.1	267.5
DIMENSION CONSTANTS (in.)				
AW = Front axle track				65.6
BA = Front bumper to centerline of axle				48.4
BBC = Bumper to back of cab				70.9
BOC = Back of cab clearance				7.7
BW = Overall width across rear axle				83.3
CW = Rear axle track				65
FW = Frame width				33.5
OW = Overall width across cab (without mirrors)				81.3
VARIABLE DIMENSIONS BY GVWR (in.)			12,000 lb.	14,500 lb.
AH = Ground to bottom of axle			7.5	8.3
FH = Frame height (unladen) at E.O.F. ^[3]			31.8	33
OH = Overall height (without clearance lights)			90	90.9

Chassis Curb Weights and Payloads						
NPR GAS - 12,000 lb. GVWR:						
Model	WB	Unit	Front	Rear	Total	Payload
1C1	109	lbs.	3348	1845	5193	6807
1C2	132.5	lbs.	3398	1895	5293	6707
1C3	150	lbs.	3418	1905	5323	6677
1C4	176	lbs.	3448	1925	5373	6627
NPR-HD GAS - 14,500 lb. GVWR:						
Model	WB	Unit	Front	Rear	Total	Payload
1F1	109	lbs.	3478	2075	5553	8947
1F2	132.5	lbs.	3528	2105	5633	8867
1F3	150	lbs.	3558	2115	5673	8827
1F4	176	lbs.	3588	2125	5713	8787

Notes: [1] Effective CA is CA less BOC.
 [2] Effective CE is CE less BOC.
 [3] Measured at the end of the frame from the top of the frame to the ground at curb weight.
 [4] Chassis curb weight reflects standard equipment and fuel, but no driver or payload.
 [5] Maximum Payload Weight is the allowed maximum for equipment, body, payload and driver and is calculated by subtracting chassis curb weight from the GVWR.

VEHICLE WEIGHT RATINGS		
Description	NPR Capacity (lb.)	NPR-HD Capacity (lb.)
GVWR Designed Maximum	12,000	14,500
GCWR Combined Maximum	18,000	20,500
GAWR – Front	4,860	6,630
GAWR – Rear	8,840	11,020

Model Description

The N-Series Gasoline vehicle features a low cab forward design that is ideally suited for intercity applications. The low cab design minimizes overall length for a given body length and in conjunction with the set back front axle positioning provides excellent weight distribution. The 49.5-degree (46.5 on 14,500lb GVWR) inside wheel cut angle coupled with integral power steering makes it an extremely maneuverable truck.

Engine

The N-Series Gasoline chassis is powered by a GMPT Gen V V8 gasoline engine with a displacement of 400 cubic inches (6.6 liters). This engine combines GM's Gen V aluminum head design with direct injection combustion technology to achieve a broader horsepower band and strong low-rpm torque. Oil-jet piston cooling channels are incorporated into the engine cast-iron cylinder block for optimized durability under heavy-duty use.

Engine Data: GMPT-V8 w/50 State Certification

Power:	350 HP @ 4500 RPM
Torque:	425 lb.-ft. @ 3800 RPM
Governed Speed:	4500 RPM
Injection:	Direct Fuel Injection
Displacement:	400 CID (6.6L)
Cylinder Bore:	103.25 mm
Cylinder Stroke:	98.0 mm
Cylinders:	8
Operating Cycles:	4-cycle
Compression:	10.8:1

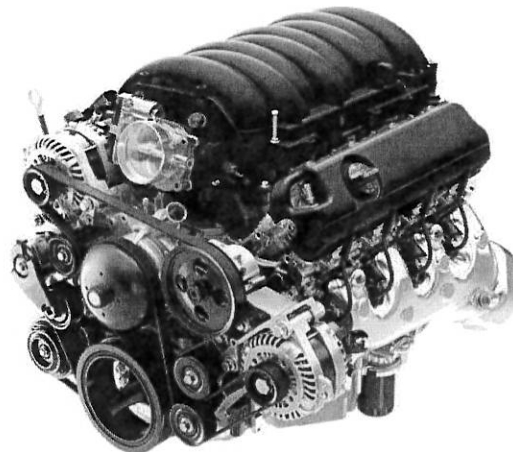


Figure 2: GMPT Gen V V8 Engine

*SAE J1349 Gross ratings without fan operating.

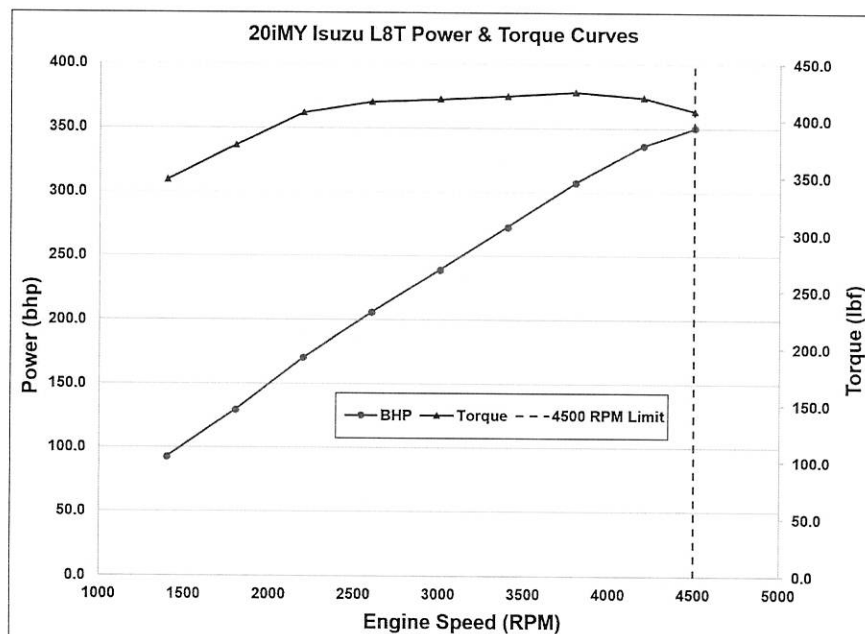


Figure 3: N-Series Gas Engine Performance Curve

Engine Features

The L8T GMPT GEN V V8 truck engine brings a selection of advanced engine technology to the Isuzu gas chassis platform. Bringing improved fuel economy, improved performance, and reduced green house gas emissions to meet current and prepare for future environmental regulations.

Featuring a cast-iron cylinder block, aluminum heads, and direct fuel injection; the 6.6L L8T engine is designed to provide a stronger feeling of on demand power with increased torque that appears earlier in the RPM range. With a cylinder compression ratio of 10.8:1, the L8T achieves a broad torque band on regular 87-octane gasoline. This engine also features the new GM E93 engine controller (ECM) and a standalone fuel tank zone module mounted behind the fuel tank.

Cast-iron Cylinder Block

A durable cast-iron cylinder block serves as the foundation for the L8T's heavy-duty design. Jet-spray piston cooling channels are incorporated directly into the block for optimal durability. While a six-bolt main cap design helps limit crank flex and stiffen the overall engine structure. The sides of the block are extended below the crankshaft centerline to maximize strength and minimize vibrations.

Aluminum Heads

Combined with the direct injection fuel system, GM's GEN V aluminum heads maximize airflow at high engine speeds to deliver strong low rpm torque and a broad horsepower band. The intake ports are large and straight, featuring a slight twist for enhanced mixing at lower rpms. Exhaust valves are constructed from Inconel alloy to help with heat dissipation and valvetrain reliability.

Direct Injection Technology

The L8T engine brings direct injection technology to the Isuzu gas chassis product line. Advancing from the previous sequential port fuel injection, direct injection introduces fuel directly into the combustion chamber for precise fuel control and a more complete burn. Fuel atomization at cold temperatures has also been improved for better starting in these conditions.

Long Life Systems

The L8T offers several long life systems. The ignition system is virtually maintenance free for the first 97,500 miles. The system includes platinum tipped spark plugs and low resistance spark plug wires. The cooling system includes a long life coolant that is rated for 2 years or 52,500 miles. An extended life accessory belt and MELCO starter are standard equipment.

Exhaust System

A new exhaust manifold design supports higher engine performance and improved tailpipe emissions. The exhaust manifold features a three-bolt flange to reduce leakage. The dual exhaust system has catalytic converters and routes to a single muffler.

Engine Control Module (ECM) & On Board Diagnostics

The vehicle has been equipped with an ECM (Engine Control Module). This module is used to control the Engine, the vehicle performance parameters, and the on board diagnostic systems. The ECM monitors a wide variety of emission systems and components for the slightest level of deterioration or malfunction. To monitor these systems the ECM uses a MAF sensor, crankshaft and camshaft position sensors, a MAP sensor, manifold temperature sensor, knock sensors, throttle position sensors, engine coolant sensor, and an engine oil pressure sensor.

The ECM also includes a starter control which ensure that if the key is prematurely released the starter motor will continue to crank until the engine starts, and also if the key is held for an excessive period the ECM will disengage the starter preventing overheating and damage to the starter. Finally, if the key is switched to crank while the motor is running the ECM will not allow the starter motor to crank. All input information is analyzed by the ECM to determine if engine emission levels and current operating status of the engine are within the operating levels that are required to meet today's increasingly stringent emission requirements. The ECM is also capable of storing and retrieving diagnostic codes to help technicians diagnose and fix problems faster and with more accuracy.

Transmission Control Module (TCM)

The vehicle has been equipped with a Transmission Control Module (TCM) incorporated within the transmission. This module controls the transmission, vehicle performance parameters, and onboard diagnostics. The TCM analyses data from both the ECM and transmission to select the most efficient transmission shifting algorithms for the given environment. All input information is analyzed by the TCM to determine if the transmission operating status is within the operating levels that are required to meet today's increasingly stringent emission requirements. The TCM is also capable of storing and retrieving diagnostic codes to help technicians identify and fix problems faster with more accuracy.

Cooling

The system features a controlled by-pass thermostat that enhances overall system performance. The system design improves bank-to-bank coolant flow balance, and expedites warm up and overall heater performance. The new 1" heavy duty water pump bearing is designed to extend water pump life. The radiator is a 2-row tube and fin type with an area of 506 square inches. The engine uses a viscous fan clutch hub.

Air Cleaner

Paper element with cyclone action, 11-in. diameter, back of cab location. Vertical intake stack on back of cab.

Evaporative Emission System

This system features an activated carbon storage canister that collects fuel vapors that are retained when the vehicle is not in operation. When the vehicle is operating these vapors are drawn in to the engine where they are consumed in the normal combustion process.

Emission Levels

The vehicle is certified to the following levels:

12,000 GVW Gas NPR:
Federal Emission Certificate & California MD ULEV
Emission Certificate

14,500 GVWR Gas NPR HD:
Federal Emission Certificate & California HD Emission
Certificate

Fuel

Fuel pump control no longer resides solely within the ECM, and is now supported by a standalone fuel tank zone module (FTZM). The FTZM is located on the rearmost crossmember behind the fuel tank. The FTZM cannot be relocated. Regular unleaded gasoline with a posted octane rating of 87 or higher should be used. It should meet ASTM D4814 in the U.S. and CGSB 3.5-M87 in Canada. Gasoline with a posted octane rating of less than 87 should not be used in this vehicle. Gasoline containing more than 15% MTBE should not be used in this vehicle. This system has four oxygen (O2) sensors that help keep your engine's air fuel mixture at a proper level. Use only unleaded fuel in your vehicle. If you use leaded fuel, you could damage your oxygen (O2) sensors and emission control system.

The following fuels **should not** be used in this vehicle:

- Fuels containing more than 5% methanol
- Fuels containing more than 10% ethanol, such as E15 or E85

NOTICE

1. The above-mentioned fuels can corrode metal parts within the fuel system. They can also damage plastic and rubber parts. This damage would not be covered under your warranty.
2. Fuels containing 5% methanol or less must contain cosolvents and corrosion prevention additives to avoid damage to the fuel system.

Fuel Filter

Fuel filter is located inside the fuel tank.

Propeller Shaft

The propeller shaft assembly is made up of a first and second shaft. The propeller shaft center support bearing is an oil seal type dust seal which is attached to the rear of the first shaft and is mounted to the crossmember by a rubber cushion and steel support bracket. The sliding spline, located on the front portion of the second shaft, is an involute spline type. Attachment of the propeller shaft assembly is by flanged couplings with four bolts each.

WB	109	132.5	150	176
No. of Shafts	1	2	2	2
Shaft #1 O.D. (Inches)	3.25			
Thickness (Inches)	0.0906			
L (Inches)	35.51	21.73	35.91	46.54
Type	A	B	B	B
Shaft #2 O.D. (Inches)	3.25			
Thickness (Inches)	0.0906			
L (Inches)	N/A	31.38	34.92	50.08
Type	N/A	C	C	C

Figure 4: N-Series Gas Propeller Shaft Lengths

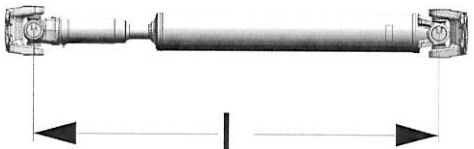
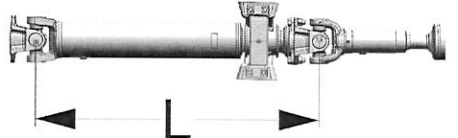

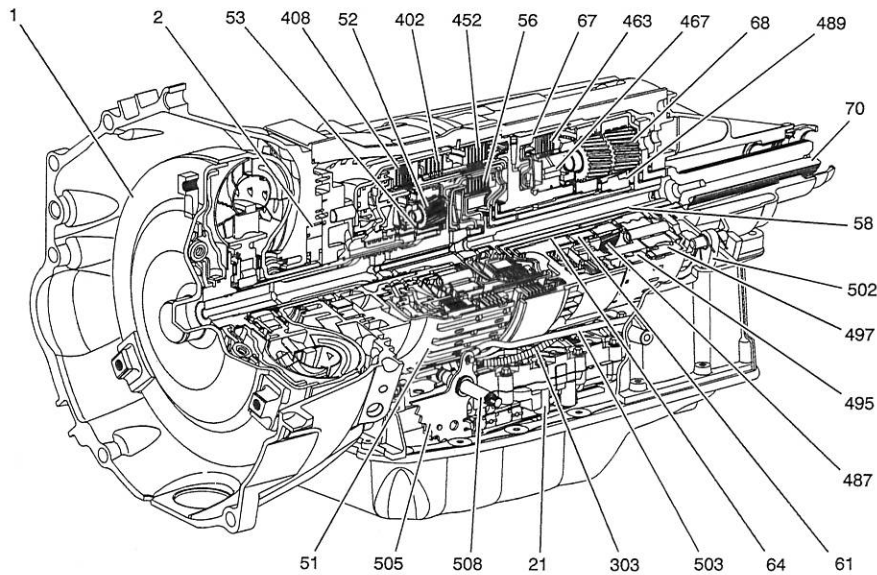
Type	1 st shaft in 1 piece driveline.	
Type	1 st shaft in 2 piece driveline.	
Type	2 nd shaft in 2 piece driveline.	

Figure 5: N-Series Gas Propeller Shaft

Transmission

For good vehicle performance under load, the N-Series gas chassis uses a 6L90 6-speed automatic transmission with lock-up converter and double overdrive. The key drivetrain components in the N-Series Gas engine, transmission and rear axle are all engineered and matched to operate as a team to provide optimal performance and economy. The 6L90 transmission does not have a PTO gear or opening. The NPR/NPR-HD Gas chassis is equipped with a transmission fluid cooler that is mounted in front of the radiator and should not be obstructed.

Model	6L90	<ul style="list-style-type: none"> - 6-speed double overdrive with converter lock-up in 2ND - 6TH gears during acceleration and deceleration. - Electronic shift control through microprocessor. - Torque converter multiplication ratio of 2.6:1. - Isuzu N-Series Gas application utilizes a single stator assembly.
Gear	Ratio	
1 ST	4.027:1	
2 ND	2.364:1	
3 RD	1.532:1	
4 TH	1.152:1	
5 TH	0.852:1	
6 TH	0.667:1	
Reverse	3.064:1	



#	Description
1	Torque Converter Assembly
2	Torque Converter Housing Assembly with Fluid Pump
21	Control Valve Assembly with Body and Valve
51	1-2-3-4 and 3-5 Reverse Clutch Assembly
52	Input Carrier Assembly
53	Input Sun Gear
56	4-5-6 Clutch Assemblyw/Turbine Shaft
58	4-5-6 Clutch Hub Assembly w/Output Carrier Shaft and Dampener
61	1-2-3-4 Clutch Hub Assembly w/Output Carrier Inner Sun Gear Shaft
64	2-6 and 3-5 Reverse Clutch Hub Assembly w/Output Carrier Outer Sun Gear Shaft
67	Center Support Assembly w/2-6 Low and Reverse Clutch
68	Output Carrier Assembly
70	Output Shaft Assembly

#	Description
303	A/Trans Input and Output Speed Sensor Assembly
402	3-5 Reverse Clutch Plate Assembly
408	1-2-3-4 Clutch Plate Assembly
452	2-6 Clutch Plate Assembly
463	Low and Reverse Clutch Plate Assembly
467	Low Clutch Sprag Assembly
487	Output Carrier Front Sun Gear
489	Output Carrier Rear Sun Gear
495	Output Carrier Internal Front Gear
497	Output Carrier Internal Rear Gear
502	Park Pawl
503	Park Pawl Actuator Assembly
505	Manual Shaft Detent Lever Assembly
508	Manual Shift Shaft

Figure 6: N-Series Gas 6L90 Transmission

Steering System

The N-Series Gas is equipped with integral power steering with a 18.8-20.9:1 gear ratio and a variable ratio pump. This provides power assist when turning while providing good road feel and feedback driving straight ahead. The system also features a tilt and telescopic steering column that allows adjustment of the steering wheel location for driver comfort and convenience.

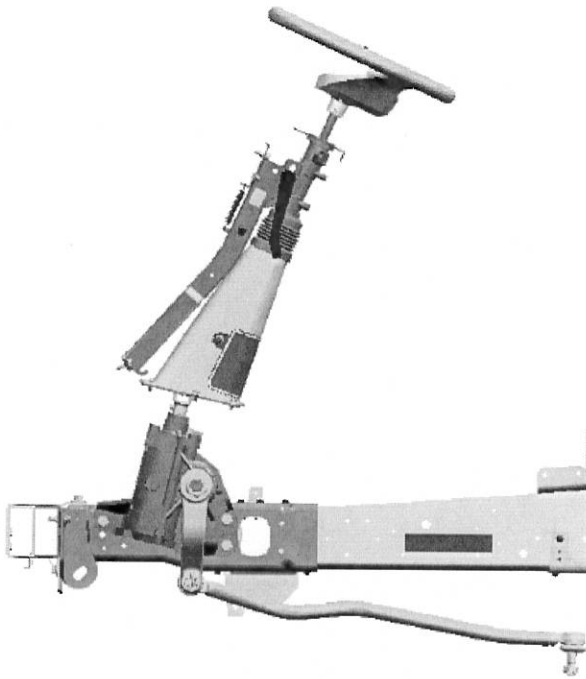


Figure 7: N-Series Gas Steering Column

Turning Diameters

The NPR and NPR-HD Gas chassis steering features a 49.5 and 46.5 degree inside wheel cut angle, respectively. This, coupled with the integral power steering, makes the N-Series Gas chassis an extremely maneuverable truck.

Turning Diameters (design value)

NPR Gas: 49.5° inner wheel cut

WB (in)	B (ft)	C (ft)
	curb to curb	wall to wall
109	32.0	37.5
132.5	38.8	44.2
150	43.8	49.1
176	51.3	56.6

NPR-HD Gas: 46.5° inner wheel cut

WB (in)	B (ft)	C (ft)
	curb to curb	wall to wall
109	33.0	38.3
132.5	39.9	45.2
150	45.1	50.3
176	52.8	58.0

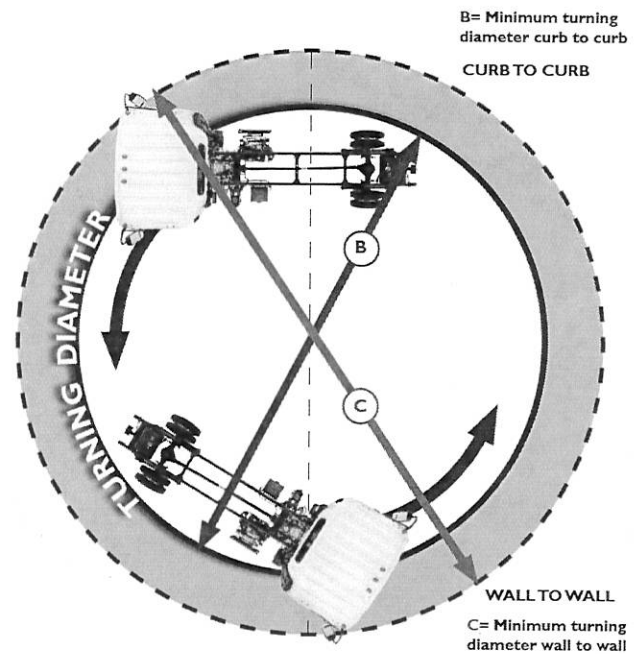


Figure 8: N-Series Gas Turning Circle Diagram

Front Axle

The N-Series Gas front axle is a drop forged steel, reverse Elliot, "I"-Beam.

Front Axle Specifications:

Type	Steel Drop Forged Reverse Elliot "I"-Beam
Rated Capacity	6,830 lbs.
Tread Width	66.1 in.
King Pin Type	Bronze Bushings
Thrust Bearing	Ball Type – RH Roller – LH
Hub Lubrication	Grease

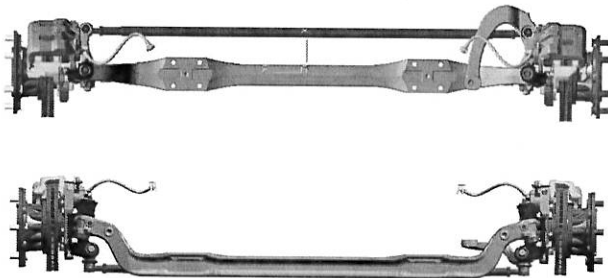


Figure 9: N-Series Gas Front Axle

Front Suspension

The front suspension is semi-elliptical tapered leaf spring. Includes shock absorbers and stabilizer bar.

Front Suspension Specifications

Type	Semi Elliptical Tapered Leaf Springs	
GVWR	12,000 lbs.	14,500 lbs.
Capacity	6,830 lbs.	6,830 lbs.
Stabilizer Bar Diameter	1.65 in.	
Stabilizer Bar Thickness	0.16 in.	

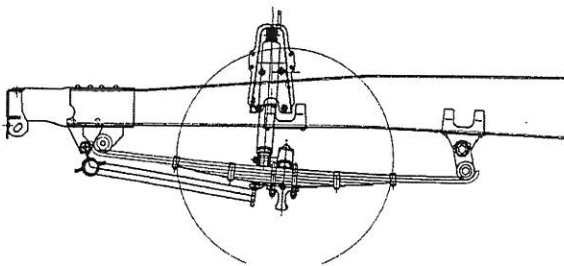


Figure 10: N-Series Gas Front Suspension

Rear Axle

The N-Series Gas has full floating rear axle with a banjo type housing and separable carrier. The wheel bearings are tapered roller type for long service life and feature oil bath lubrication.

Rear Axle Specifications:

Type	Full Floating Banjo
Rated Capacity	14,550 lbs.
Tread Width	65.0 in.
Gear Type	Hypoid
Ring Gear Diameter	11.5 in.
Differential Type	4 Pinion Gear
Ratio (by GVWR)	12,000 lbs.: 4.1:1 14,500 lbs.: 4.3:1
Hub Lubrication	Oil
Oil Type	SAE 90H
Oil Capacity	10.0 liters

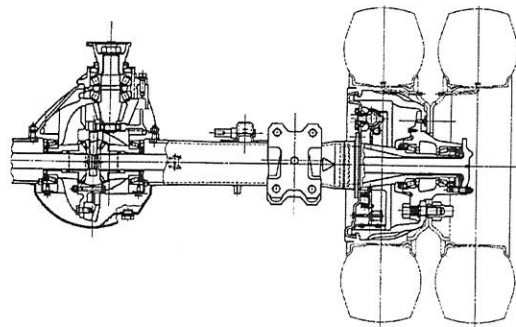


Figure 11: N-Series Gas Rear Axle

Rear Suspension

The rear suspension consists of semi-elliptical main and auxiliary multi-leaf spring. Includes shock absorbers.

Rear Suspension Specifications

Type	Multi-leaf Springs	
GVWR	12,000 lbs.	14,500 lbs.
Capacity	12,900 lbs.	12,900 lbs.

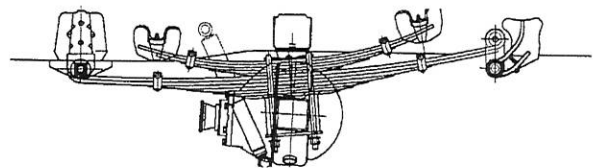


Figure 12: N-Series Gas Rear Suspension

Limited Slip Differential (LSD)

A limited slip differential is available from the factory. This LSD will help provide additional traction under conditions where road surface traction has been decreased.

Oil Type: Multi purpose gear oil SAE90 GL-5 for limited slip differential together with limited slip differential lubricant additive (Part No. 8-01052-358-0) or equivalent.

Frame

The frame in the N-Series Gas is a ladder-type, channel section, straight rail from bumper to end of frame with a rivet-less top flange.

Frame Specifications

WB	109	132.5	150	176
Side Rail Sec.	8.50 in. X 2.76 in. X 0.24 in.			
Combined Section Modulus	7.20 in ³			
Yield Strength	44,000 psi			
Rated RBM (per Rail Combined)	316,800 lb.-ft./in.			
Frame width	33.5 in.			

Fuel Tank

The fuel tank is mounted within the frame rails behind the rear axle, above the rear suspension area. This location enhances vehicle safety while providing easier installation of vocational bodies. The fuel tank is constructed from stainless steel and is rectangular in shape. It is equipped with a fuel fill hose, an electric fuel pump (mounted within tank), and a fuel tank zone module mounted to the rearward crossmember. The fuel tank zone module cannot be relocated.

Tank Size/Type: 38.6 gal. stainless steel

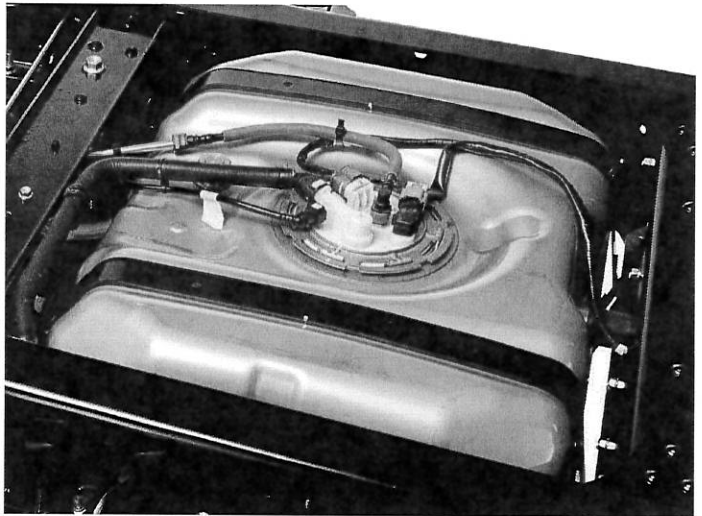


Figure 13: N-Series Gas Fuel Tank

Electrical

Battery Specifications:

A 12 volt Group 31 maintenance-free type battery is standard and is located outside the frame rail on the RH side aft of the air cleaner. The electrical system is 12 volt negative ground. The battery is rated at 750 CCA.

Starter Motor:

Sliding pinion type solenoid controlled with over running clutch. Bearings are oil-free, graphite-filled bronze.

Alternator:

12V-170 AMP output with integral regulator.

Alternator Max Outputs by Engine Speed (AMPS)			
Voltage by Temperature	570 rpm	950 rpm	2060 rpm
14.0V at 77°F	100.2	157.1	188.4
13.25V at 221°F	77.8	118.6	143.3
13.0V at 257°F	75.2	114	138.9

Note: For generator speed (rpm) pulley ratio = 3.159 to 1

Figure 17: N-Series Gas Alternator Output

Lighting Specifications:

- Flush surface LED head lamps with integral parking, turn signal, and cornering lamp
- Combined rear lamps: Turn Signal, Stop and Backup
- Identification/clearance lamp (shock mounted for extended bulb life)
- License plate lamp
- Day time running lights
- LED compatible flasher and rear tail lights
- Back up alarm electrical connector
- Body mounting electrical connector

Exhaust System

The exhaust system routes through oxygen sensors to dual horizontally mounted stainless steel catalytic converters and muffler on the left side of the chassis.

Standard Tire Specifications:

GVWR	12,000 lbs.		14,500 lbs.	
Manufacturer ^[1]	Yokohama TY213B	Yokohama TY287	Goodyear G647	Goodyear Fuel Max
Size	215/85R16E	225/70R19.5E	225/70R19.5G	
Type	Tubeless Steel Radial Low Rolling Resistance			
Ply Rating	10pr	12pr	14pr	14pr
Tread	FT/RR All season			
Maximum Load Per Tire ^[3]	@ 70 psi		@ 85psi	
Front	2430 lb		3315 lb	
Rear	2210 lb		3115 lb	
Rev/Mile	682.9	651	640	638

Figure 18: N-Series Gas Tire Specifications

Standard Wheel Specifications:

GVWR	12,000 lbs.	14,500 lbs.
Size (in):	16 x 6 K	19.5 x 6.00 RW
Bolt Holes	6 JIS	
Bolt Circle Diameter	8.75 in.	
Outside Offset	5.0 in.	
No. Piece Rim	1	
Rim Type	5° DC	15° DC
Manufacturer	TOPY	ACCURIDE
FT/RR Nut Size ^[2]	1.6142 in. (41 mm) Bud Hex	
Rear Stud Size ^[2]	0.82688 in. (21 mm) Square	
Nut/Stud Torque Specs.	325 ft.-lb. (440 N-m)	

Notes:

[1] Manufacturer specification is not permissible

[2] O.D. wrench size

[3] 70 psi on 12,000 lbs. GVWR; 85 psi on 14,500 lbs. GVWR

Figure 19: N-Series Gas Wheel Specifications

Cab Features

Cab Over Engine Design

The new N-Series cab design brings an exciting fresh new look to the N-Series product. Based on the "Hexapod Design Concept" the cab has been completely redesigned to meet new emerging market demands. Cab panels, radiator grill, head-lights, and bumper have been completely redesigned to embrace the design concept that brings maximum space to the cab interior while creating a bold look on the outside of the cab. The sleek new design conveys a solid clean vehicle with a bold presence in the market place. With these enhancements the product continues to bring many customer driven improvements in low cab forward design.

The cab interior features improved driver comfort with increased head room, leg room, storage room, and a wider door opening and larger step for easier access to the cab. Once inside the driver is greeted by a new interior color scheme and enhanced visibility of a new instrument cluster. This cab has been designed to meet all current and future market trends.

The low cab forward (LCF) design used by the N-Series Gas chassis has been recognized in urban centers throughout the world for the following features:

- More cargo space within a given overall length.
- Shorter overall length with a given body length.
- Small turn diameters.
- Better driver visibility.
- Ease of entry and exit. (Wider self cleaning entry step and door opening with 85 degree door swing)

The Hexapod cab offers additional value to the customer in many other areas.

Engine Accessibility

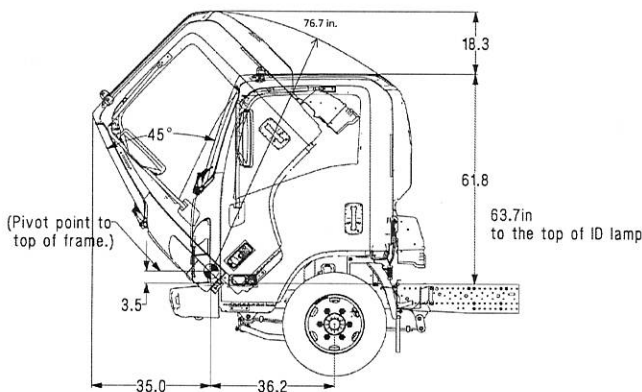


Figure 18: N-Series Gas Cab Tilt Dimensions

The N-Series Gas tilt cab design provides complete and easy access to the engine area for service. By following the procedure shown in the owners manual the cab can be tilted a full 45° with great ease on improved cab mounts. More engine access is provided with the tilt cab than by any conventional or van cabs offered by the competition. This ease of access allows quicker service that will translate to lower maintenance costs leading to a lower cost of operation for the LCF design. The engine compartment is protected from road spray by splash shields mounted under the cab. The cab floor is insulated to improve the drivers cab environment by reducing engine noise and heat in the cab interior. A rear engine cover improves the cabs appearance and further reduces noise. Convenience of operation and service are highlights of the improved cab. The hydraulic brake reservoir is located at the left end of the dash for easy inspection and service.

Fuses and electrical relays are located behind a removable panel below the center of the dash and include spare fuses and fuse puller. This location is within easy reach for access by the driver or technician. The wind-shield washer bottle is located on the end of the dash on the passenger side. The washer bottle feeds intermittent wet arm wipers that put the washer fluid directly on the windshield where it is needed. The cab roof cap is designed to channel water off of the roof to the side not down the windshield to improve driver visibility in wet weather. The windshield is bonded to the cab for increased cab rigidity, less wind noise, and no leaks. The windshield has a upper tinted area for improved visibility and safety. The coolant reservoir is located at the back of cab and is also easily checked without tilting the cab. The chassis is equipped with a shift lever interlock system that is activated when the key is in the on position and the brake pedal is depressed.



Figure 19: N-Series Gas Brake Reservoir.

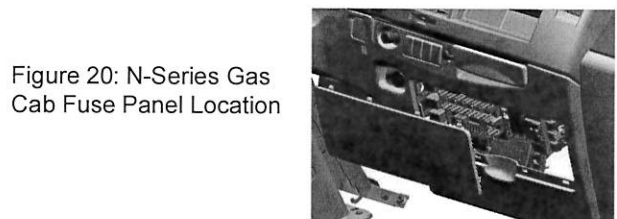


Figure 20: N-Series Gas Cab Fuse Panel Location

Cab Environmental Systems

The cab environmental system has been re designed to provide enhanced air flow through the ventilation system in the cab. The system provides plenty of air flow and heat to keep the driver comfortable, ventilate the cab, and keep the windshield glass clear. The air conditioning system uses environmentally friendly 134a refrigerant. A new larger air-conditioning condenser has been relocated vertically and raised for greater protection of this component for improved operation and less maintenance.

Performance:

Heater 16,400 BTU/hr

Air Conditioner 16,000 BTU/hr

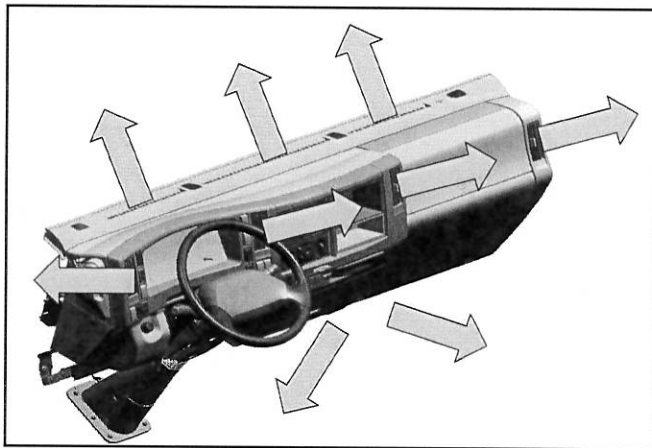


Figure 21: N-Series Cab Ventilation

Interior Trim Features

The N-Series Hexapod cab has been designed for the person who spends all day on the road. The drivers will find the cab has a spacious environment with increased shoulder and head room. The cab is standard with a high back drivers seat and passenger seat. The center passenger seat has a tray mounted on the back side to provide a convenient work area for the driver inside the cab out of the elements.

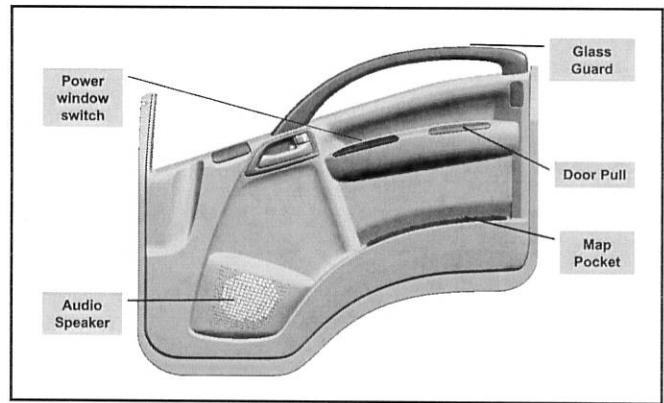


Figure 22: N-Series Gas Shift Lever

To enhance driver comfort the seat cushions, have been designed for maximum support. The seat material is a durable Tricot material, which breathes for enhanced driver comfort in hot or cold climates. The drivers seat travel fore and aft has been increased allowing more room to tilt and adjust the seat for maximum driver comfort. Additional storage for maps and other papers is provided in easy to reach door pockets, seat backs as well as several built in storage areas in the dash. An overhead storage shelf is now standard equipment on all N-Series chassis. Power windows and door locks are also standard on all models. Seat belt design is enhanced for easier operation. A new interior dome light is installed for a brighter cab in night time operations. Heavy duty floor mats are standard.

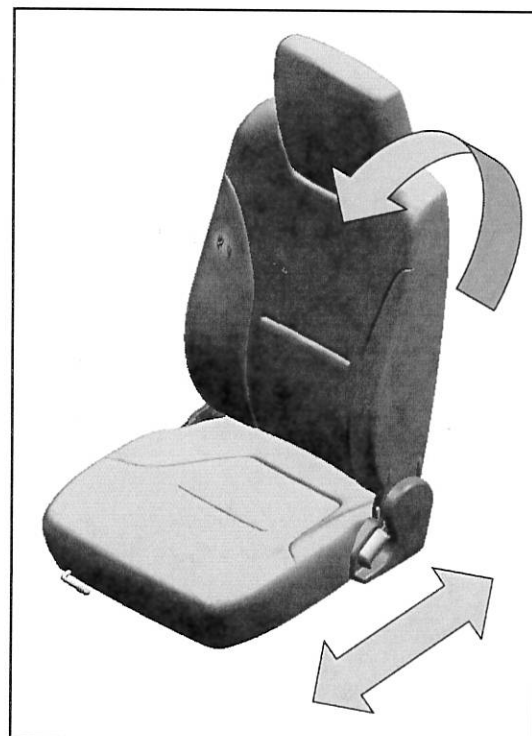


Figure 23: N-Series Gas Seat Travel Path

The parking brake handle is located between the drivers seat and the center passenger seat. This location provides an unobstructed floor for increased driver comfort. The rubber floor mat is durable and easy to maintain. The automotive style instrument panel has a low profile design for improved downward visibility. The cab is fully trimmed to provide a quieter environment. A cup holder is mounted between the seats within convenient reach of the driver and will handle large convenience store cups. A slide out, dash mounted cup holder accommodates two smaller sized coffee cups. The rear cab panel incorporates a coat hook as well as a rear storage organizer for improved driver comfort. The steering wheel is constructed to provide maximum visibility of the instrument cluster. The column tilts and telescopes to adjust for varying driver profiles.

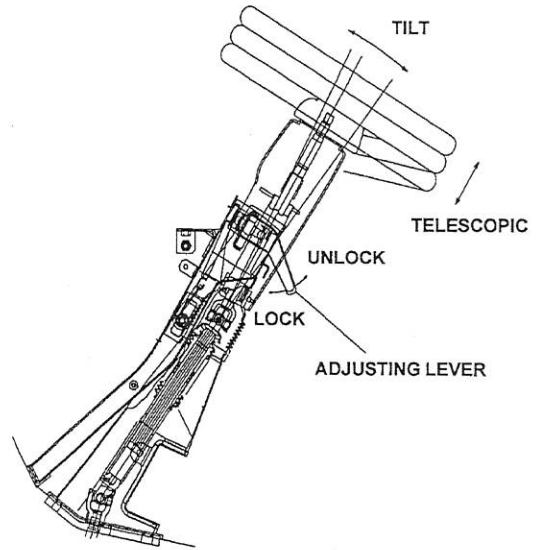


Figure 24: N-Series Steering Column



Figure 25: N-Series Gas Driver's View (non-standard options shown)

Instrumentation

The Hexapod cab includes redesigned steering wheel which greatly enhances instrument visibility. Frequently used switches are styled for easy operation, and illuminated for operation at night. ISO symbols are used on the switches and instrument panel for standard recognition of control components. The combination switches are designed to fit more naturally in the hand. Their function is clearly marked on the lever for easy recognition. The odometer has a check switch to read the mileage without turning on the ignition switch. The fuel level can also be read without the key in the ignition by pushing the odometer check switch for rapid yard checks of parked vehicles.

Cornering lights are standard to improve night time visibility when the turn signals are operated and headlights are on. Cruise control is standard and the controls are post mounted for easier operation and greater driver comfort. An AM/FM/CD radio with Bluetooth and USB is standard equipment. The dash also has a "5 DIN" opening suitable for other electronic equipment.

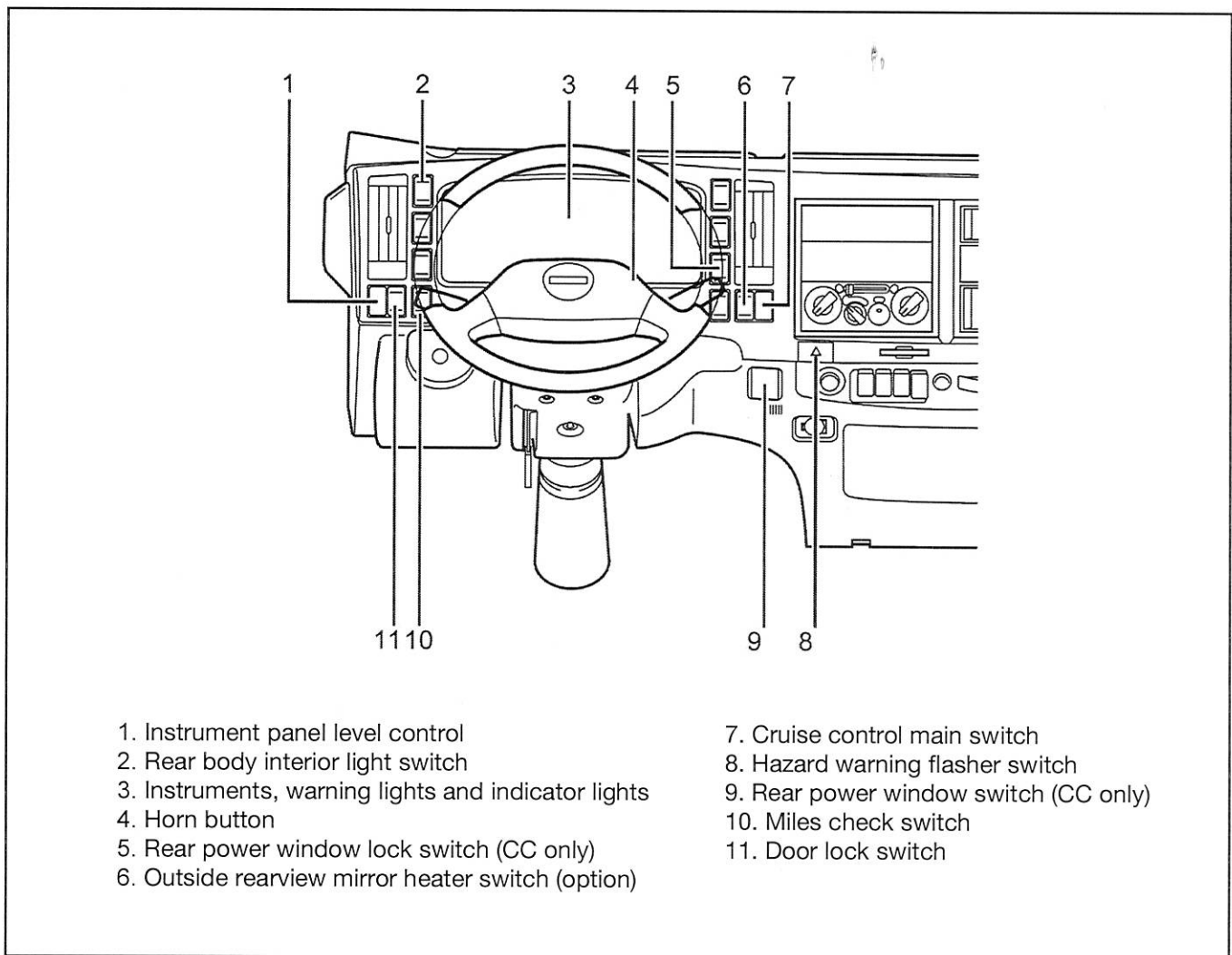


Figure 26: N-Series Gas Dash Panel

Cab Anti Corrosion Protection

The Hexapod cab has undergone improved anticorrosion treatment to ensure a long service life. This treatment begins with extended use of galvanized steel panels in the cab construction. In addition to more galvanized panels the galvanizing thickness has been increased. The cab receives a cat ion electro deposit primer "E coat" and a strong alkali-proof paint for full protection against corrosion. Undercoating has been added in the wheel wells to further protect the cab from road spray and rock chipping. A self cleaning resin doorstep has been used, combined with a plastic support to protect against corrosion in the step wells. All of these added features will result in a cab that will withstand the elements for an extended length of time.

Cab Exterior

The cabs exterior features a chrome grill to complement the new cab and a removable front service panel for easy access to wiper motor, wiper linkage, cab air intake filter, and electrical connections. New side view mirrors have a breakaway function to protect the cab doors. These large 17x8 west coast style mirrors heads incorporate a 11x7 inch flat glass mirror and a 4x6 inch convex mirror in one mirror head. There is an option for extended mirror brackets for use with 102 inch wide bodies. Heated mirrors are an available option. Cab door handles are the large paddle type that protect the door paint and are easy to operate by a gloved hand.

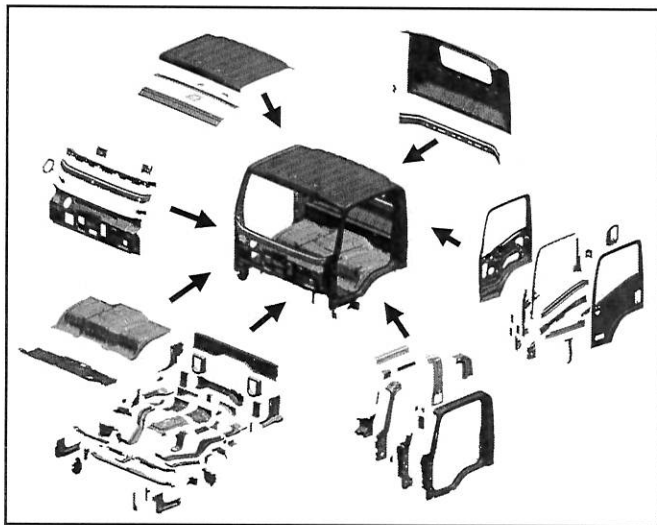


Figure 28: N-Series Gas Cab

Cab Structure

The cabs structural strength is vastly improved. The side sill is now a closed section and the under-frame is now constructed of high tension-resistant steel. In making these changes we accomplish 2 important goals, (1) structural strength is maintained in case of a collision and (2) weight is reduced so as not to affect payload.

The cab durability has also been enhanced by passing structural elements through the closed sections at the under-frame connection point to the chassis in the vehicle width direction. This arrangement of components improves cab rigidity. (Figure 29)

Additional reinforcement in front pillar area from the cowl to rocker panel area has been accomplished. Gussets have been enlarged to increase the connecting rigidity between the pillar area and the cowl. This change reduces cab deformation in case of a collision. (Figure 30)

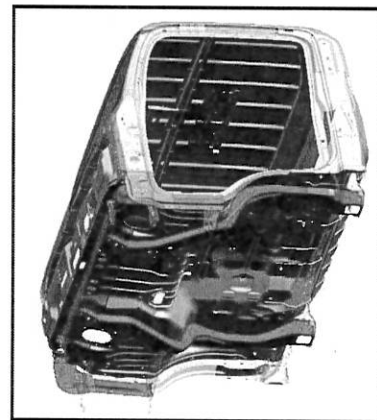


Figure 29: N-Series Gas Cab Structure

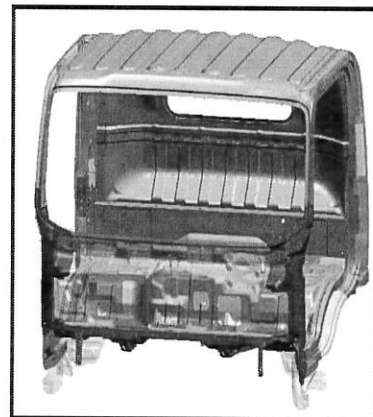


Figure 30: N-Series Gas Cab Structure

Option Weights		
RPO _[1]	Option Description	Front / Rear (lb)
I6I	AGM batteries (825 CCA x 1)	6 / 3
IF4	Air deflector roof mounted (not available in crew cab)	64 / 0
IF6	Fire extinguisher and triangle kit	19 / 0
I4W	Engine block heater with receptacle (115V 400W)	3 / 0
I4K	Keyless entry system	3 / 0
I3Z	Spare keys (2 additional, 4 keys in total)	0 / 0
IS0	Heated mirrors	1 / 0
I0W	Heated dual remote control mirrors (17" head)	4 / 0
IU2	Mirror bracket for 102" wide body	1 / 0
IV8	Seat covers for standard cab seats	6 / 0
I1M	Seat covers standard cab with suspension seat	6 / 0
IV9	Seat covers crew cab	12 / 0
UZF	Back up alarm	0 / 2
V22	Chrome grille	1 / 0
I3G	65 mph top speed limit (max cruise speed 60 mph)	0 / 0
I5K	Suspension driver's seat (standard cab only)	18 / 0
IY4	Delete standard radio	-3 / 0
I1V	Audio system with 7" diagonal color touch screen	5 / 1
I2V	Audio system with 7" diagonal color touch screen with backup camera (camera shipped loose)	5 / 2
I7L	High visibility seat belt (orange color, driver seat only)	0 / 0
I8L	High visibility seat belt (orange color, driver and RH passenger seat only)	0 / 0
I4V	Forward Collision and Lane Departure Warning (Mobileye)	2 / 0
I4Z	Front panel film	1 / 0
I7Z	Front panel film with chrome grill	1 / 0
SEO _[1]	Option Description	Front / Rear (lb)
04	Standard model specifications with power windows, power door locks, and air conditioning	Standard chassis weight includes these features
14	In rail fuel tank with power windows, power door locks, air conditioning and Limited Slip Differential	0 / 15

[1] RPO is Regular Production Option that is stocked in port inventory.

SEO is Special Equipment Option and requires 90-120 day lead time for delivery.



DN-0739994-1

Quoted By: Hector Rodriguez
Created: 11/14/2022
Revised: 11/14/2022

111 Morgan Way • Morgantown, PA 19543 • Phone: 800-666-7426 • Fax: • www.morgancorp.com

Configuration: GVSD09714096
View 3D Link:
Reference:

Regional Sales Manager: PAUL KLINE
Technical Service Rep: HECTOR RODRIGUEZ

Customer
VANGUARD TRUCK CTR OF HOUSTON
12935 CROSBY FREEWAY

Contacts
Quote: Nelson Calderon
p. (713)476-1580

Ship To
VANGUARD TRUCK CTR HOUSTON
12935 CROSBY FREEWAY

HOUSTON, TX 77049

Ship to:
p.

HOUSTON, TX 77049

Customer Number: 257827
Terms: N30

Shipping Method: Delivery/Driveaway

Model Description Plant
GVSD09714096 DRY FREIGHT VAN BODY 14FT NOMINAL TX - Corsicana

Body Dimensional Chassis Information

Table with columns for Body Information (Inside Height, Length, Width, etc.) and Chassis Information (Year, WB, FW, CA, etc.).

Note: Body dimensional information above for reference only. These dimensions may change based on any special pricing items included in this quotation.

Specifications [DN-0739994-1]

Table with columns: OPTION, DESCRIPTION, QTY, Weight**. Lists various vehicle components and their specifications.



DN-0739994-1

Quoted By: Hector Rodriguez

Created: 11/14/2022

Revised: 11/14/2022

111 Morgan Way • Morgantown, PA 19543 • Phone: 800-666-7426 • Fax: • www.morgancorp.com

	POST REINFORCEMENT FOR SINGLE LAMP POSTS	1	8.78
SKINS-SIDES	.040 ALUMINUM PREPAINTED WHITE	1	117.65
	RIVETS FOR FRONT AND SIDEWALLS-14 BODY	1	2.8
SIDE WALL	EXTRUDED ALUMINUM TOP AND BOTTOM RAILS WITH 1 3/8 IN. DEEP GALVANIZED STEEL Z-SHAPED VERTICAL POSTS INSTALLED ON 16 IN. CENTERS CURBSIDE.	1	101.9
	EXTRUDED ALUMINUM TOP AND BOTTOM RAILS WITH 1 3/8 IN. DEEP GALVANIZED STEEL Z-SHAPED VERTICAL POSTS INSTALLED ON 16 IN. CENTERS ROADSIDE.	1	101.9
SCUFF	SCUFF-SIDE SOLID HARDWOOD 3/4IN X 11IN HIGH WITHOUT A LINER	2	65.2
Scuff Height Note Side	SCUFF HEIGHT TOTALS 10.5 INCHES HIGH	1	0.001
INTERIOR TIES	SIDE SLAT 3/4" X 3" SOLID HARDWOOD	12	133.92
Int. Ties-Slat ES 6Rows Sides Note	LOCATE SLATS AT: (ROW1)17" (ROW2)32" (ROW3)40" (ROW4)58" (ROW5)69" (ROW6)79" CENTERLINE TO FLOOR	1	0.001
INTERIOR TIES	FRONT SLAT 3/4" X 3" SOLID HARDWOOD	6	34.5
	FRONT SLAT LOCATION TO MATCH SIDE SLAT LOCATION	1	0.001
	SERIES E-TRACK, POST MOUNTED	4	105.56
Cargo Track Sides Row 1 Loc Note	LOCATE POST MOUNTED ROW AT 24 IN. FROM TOP OF FLOOR TO CENTER OF TRACK	1	0.001
Cargo Track Sides Row 2 Loc Note	LOCATE POST MOUNTED ROW AT 48 IN. FROM TOP OF FLOOR TO CENTER OF TRACK	1	0.001
INTERIOR TIES	SERIES E-TRACK, POST MOUNTED FRONT WALL	2	25.92
Cargo Track Front Row 1 Loc Note	LOCATE POST MOUNTED ROW AT 24 IN. FROM TOP OF FLOOR TO CENTER OF TRACK	1	0.001
Cargo Track Front Row 2 Loc Note	LOCATE POST MOUNTED ROW AT 48 IN. FROM TOP OF FLOOR TO CENTER OF TRACK	1	0.001
FRONT END	AERODYNAMIC ALUMINUM RADIUS WITH STEEL Z POSTS	1	52.73
SKINS-FRONT	.040 ALUMINUM PREPAINTED WHITE	1	27.58
SCUFF	SCUFF-FRONT SOLID HARDWOOD 3/4IN X 11IN HIGH WITHOUT A LINER	1	16.77
Scuff Height Note Front	SCUFF HEIGHT TOTALS 10.5 INCHES HIGH	1	TBD
ROOF	.032 ONE PIECE ALUMINUM SHEET WITH ANTI-SNAG ROOF BOWS ON 24 IN. CENTERS WITH CROWNED ROOF DESIGN WHICH PREVENTS WATER/ICE POOLING	1	91.41
	AERODYNAMIC ALUMINUM RADIUS AND POLY-TUFF CORNER CAPS	1	27.62
INTERIOR LIGHTS	ONE INTERIOR LED DOME LAMP	1	1.19
	TOTAL DOME LIGHT(S) = 1;	1	0.001
	SWITCH WITH INDICATOR MOUNTED IN CAB DASH	1	6.45
	SWITCH FOR DOME LIGHT CIRCUIT	1	0.001



DN-0739994-1

Quoted By: Hector Rodriguez

Created: 11/14/2022

Revised: 11/14/2022

111 Morgan Way • Morgantown, PA 19543 • Phone: 800-666-7426 • Fax: • www.morgancorp.com

NOTE: MORGAN SWITCH CHOSEN. MORGAN WILL NOT USE CHASSIS OEM SWITCH. 1 0.001

Liftgate Interlift (ALL) PALFINGER GALVANIZED STEEL LIFTGATE PLR-25S SINGLE CYLINDER 2500# CAP 80X48 WEDGE STEEL PLATFORM GRAVITY DOWN, AND 800MM ARMS (INCLUDES LIFTGATE OEM CUT OFF SWITCH AND DEDICATED GROUND CABLE) GALVANIZED 21" DUAL STEP NO CYCLE COUNTER 1 TBD

LIFTGATE TUK-AWAY LIFTGATE WELD-ON INSTALLATION FOR REEFER BODIES, STAKE BODIES AND PANEL REAR DOOR APPLICATIONS. LIFTGATE EXTENSION PLATE WELDS TO REAR THRESHOLD, STEEL DOCK EXTENSION OR REAR RAIL DO NOT BOLT. 1 0
CHASSIS FRAME SPACER FOR ISUZU N/GMC LCF SERIES WITH LIFTGATE OPTION 1 17.85

DOCK BUMPER LIFTGATE DOUBLE CHANNEL SPACER 1 86.6

EXTERIOR LIGHTS TECNIQ S37 LED SEALED CLEARANCE LIGHT, PER FMVSS-108 INSTALLED IN FRONT CORNER CAPS, SIDE TOP RAILS AND FIVE ACROSS REAR HEADER. 1 4.94
REAR MAIN HARNESS FOR LED LIGHTS 1 2.67
CONVERTER FOREIGN CHASSIS WIRING TO DOMESTIC WIRING 1 0.33
TECNIQ LED REAR LIGHTS RECESSED IN REAR POST/DOMESTIC COMBINED STOP TURN TAIL AND BACKUP LAMP 1 2.61

Rear/Taillights LICENSE PLATE BRACKET AND LIGHT LOCATED UNDER BODY 1 0.001

PAINT REAR FRAME STEEL WHITE IMRON 1 0.001

DECALS MORGAN LOGO AND SAFETY DECALS-FULL MOUNT 1 0.11

SAFETY ITEMS ALUMINUM 12" GRAB HANDLE-BOLTED 2 1.02
GRAB HANDLE MOUNTED ON CURBSIDE AND ROADSIDE REAR 1 0.001
CONSPICUITY TAPE INSTALLATION 1 0.38
BOTH SIDES OF BODY, ACROSS BOTTOM OF REAR DOOR, UNDERRIDE PROTECTOR, AND TWO INVERTED L's ON THE UPPER OUTBOARD CORNERS. PER DRAWING CONSP00 1 0.001

MISCELLANEOUS FUEL NECK INSTALLATION 1 0.81

SAFETY ITEMS CUSTOMER HAS DECLINED SIDE GUARD OPTION ON THIS ORDER 1 0.001
NOTE: MORGAN OFFERS A SIDE-GUARD SAFETY OPTION FOR THIS VEHICLE CONFIGURATION. IT IS RECOMMENDED THAT YOU VERIFY LOCAL ORDINANCES REGARDING SIDE GUARDS ON TRUCK BODIES IN LOCATIONS WHERE YOUR VEHICLE(S) MAY BE OPERATING. ASK YOUR MORGAN SALESPERSON FOR MORE INFORMATION RELATED TO SIDE-GUARD PROTECTION. 1 0.001

MOUNTING CHASSIS FRAME EXTENSION - 6" CHANNEL FRAME ISUZU/GMC LCF SERIES 1 117.51

SURCHARGES QUOTE INCLUDES SURCHARGES OF \$265 1 0.001

Total Body Weight: TBD

CONTACT MORGAN FACTORY REP. FOR TOTAL BODY WEIGHT

NOTES TO CUSTOMER:

DIMENSIONAL DATA: All dimensions, weights, and measurements specified herein are estimates and are subject to Morgan's manufacturing tolerances, may change without notice, and may vary depending on options selected. Please contact Morgan for dimension, weights, and measurements for your particular truck body and chassis.



DN-0739994-1

Quoted By: Hector Rodriguez
Created: 11/14/2022
Revised: 11/14/2022

111 Morgan Way • Morgantown, PA 19543 • Phone: 800-666-7426 • Fax: • www.morgancorp.com

NOTICE: Morgan Truck Body, LLC manufactures all vehicles to conform to applicable U.S. Federal Motor Vehicle Safety Standards (FMVSS) in effect at time of manufacture. Buyer/end-user is responsible for ensuring this vehicle, when operated, meets all applicable federal, state and local rules, regulations and statutes, including, but not limited to, those governing safety equipment, cargo securement, and accessories.

Morgan will give Customer a notice of release ("Release Notice") of their completed truck body units ("Vehicles") and Customer will remove, or authorize Morgan to remove, the Vehicles from Morgan's lot within five (5) days of the date thereof. After which time, and pursuant to Morgan's Standard Sales Agreement, Morgan shall not be responsible for any loss or damage thereto, for any reason, including, but not limited to, such loss or damage caused by fire, flood, storm, act of God, vandalism, accident, explosion, war, strike, civil or military authority, or any other similar causes.

In addition, Customer agrees to reimburse Morgan's then current lot lease expenses for every month past fourteen (14) days of the date of the Release Notice that the Vehicles remain on Morgan's lot. Customer also agrees to pay Morgan for all costs incurred, after fourteen (14) days of the date of the Release Notice, to maintain the Vehicles in satisfactory (road-worthy) working order.

Morgan shall not be responsible nor otherwise be held liable for cargo loss, loss of use, property damage, commercial (economic) loss, or other direct, indirect, incidental, consequential, or special damages alleged to have been caused by any Morgan product, or any delay in delivery of such product.

Morgan reserves the right to increase the quoted prices based on increases in prices charged to Morgan by its suppliers as of the date of Morgan's receipt of the chassis and all customer supplied material (if any). In the occurrence of Goods ordered without chassis (i.e., flat-bed pick-ups/deliveries), Morgan reserves the right to increase the quoted prices based on increases in prices charged to Morgan by its suppliers anytime up to start of production of the Goods.

Morgan's and VANGUARD TRUCK CTR OF HOUSTON'S Standard Sales Agreement Terms and Conditions apply to this quote. Copies available Morgan's Sales Agreement Terms and Conditions and upon request. Any additional or different terms proposed by Buyer are objected to and are hereby rejected.

Prices in \$USD

Table with 2 columns: Description, Price. Rows include Body (\$17,977.00), Freight (\$720.00), Unit Price (\$18,697.00), X QTY (1), and Total Quote Price (\$18,697.00).

Quote includes commodity and inbound freight surcharges of \$265

Quote is valid for 30 days, and is subject to Morgan's Sales Agreement Terms and Conditions.

Price quoted does not include applicable taxes. Applicable taxes will be added at time of invoice.

Customer Acceptance of Proposal - The pricing, specifications, and conditions of this quotation are satisfactory and are hereby accepted. We authorize Morgan to perform the work as specified.

Customer Signature: [] Date of Acceptance: []

PO and Chassis Details: * Chassis Expected Date: []
*PO # * Chassis VIN Customer Unit # Chassis Factory
1 [] [] [] []

* PO #, Chassis VIN #, and Chassis Expected Date are required when placing an order with Morgan Corporation. Please provide if not listed above.

Additional Specifications Included in Price:

*WARNING: The above Distributor added or installed options WILL NOT UPLOAD to Morgan, and Morgan will not be responsible for any information in this Additional Specifications Included in Price section.



Agenda Item: Update on 9th Annual Galveston Island Tourism Summit

Background: On May 4, 2023, Visit Galveston will host the 9th Annual Tourism Summit at the Galveston Island Convention Center, during National Tourism Week to educate and celebrate the exciting tourism industry. As it has been in the past, this was a FREE event to ALL tourism partners.

Each year, our numbers increase as we bring together the organizations involved in the Galveston hospitality community to learn from one another and from experts in the field. The Summit is designed to involve, inform, educate, and excite Galvestonians. The 2022 audience included tourism and hospitality industry professionals, attractions, elected officials, and educators with in-person registration numbers pouring in at an amazing 576 and an online audience reaching hundreds more.

This year we have the opportunity to grow the attendance again by offering a LIVE STREAM and in person experience, as well as our popular vendor expo, featuring national and regional speakers presenting on a variety of topics aimed at increasing the number of travelers to Galveston. Those whose businesses are touched by travel from restaurateurs to hotel executives and transportation operators to nightlife professionals—will learn how to maximize their reach and get a chance to learn about new resources being made available to reach their goals.

We are currently seeking sponsors, who make it possible for us to continue to offer this high-quality programming, free of charge, to our partners.

Agenda: Thursday, May 4, 2023

- 8:00AM – Registration
- 8:30AM – Welcome
- 9:00AM – Keynote, JC Says (Andre Bradford)
- 10:15AM - Breakout Sessions
 - How to Attract More Business in the Decade of Transformation - Shawna Suckow
 - Business Considerations for Accessible Travel - John Sage
 - How to Create Magic - J. Damany Daniel
 - Trip Advisor - Scott Caufield
 - Texas Historical Commission. Real Places Telling Real Stories - Mallory Laurel
 - Media Checklist- Caitlin Carnes
 - DEI: Reduce Bias - Dorsey Standish
 - CTA Class Part 1 - Shawna Reid
 - Pechakucha - Stories of Galveston
 - * Anna J Walner (The Great Storm of 1900)
 - * Kathleen Maca (The Ghostly Tales of Galveston)
 - * Maureen Patton (Evolution of Culture in Galveston)
 - * JR Shaw (TBD)
 - * Sam Collins III (Juneteenth)
- 11:00AM - Lunch & Expo

- 12:30PM – Keynote, Andrew Mellen - Calling BS on Busy!
- 1:40PM - Kelly de Schaun LIVE!
- 3:00PM - Networking & Expo
- 3:30PM - Breakout Sessions
 - How to Attract More Business in the Decade of Transformation - Shawna Suckow
 - Business Considerations for Accessible Travel - John Sage
 - How to Create Magic - J. Damany Daniel
 - Trip Advisor - Scott Caufield
 - Texas Historical Commission. Real Places Telling Real Stories - Mallory Laurel
 - Grants – Tom Singleton
 - DEI: Reduce Bias - Dorsey Standish
 - CTA Class Part 2 - Shawna Reid
 - Pechakucha - Stories of Galveston
 - * Anna J Walner (The Great Storm of 1900)
 - * Kathleen Maca (The Ghostly Tales of Galveston)
 - * Maureen Patton (Evolution of Culture in Galveston)
 - * JR Shaw (TBD)
 - * Sam Collins III (Juneteenth)
- 4:15PM - Mixer & Raffle

Budget:

Speaker Fees	\$37,900
Registration Technology	\$8,720
Food and Beverage	\$28,000
Audio Visual	\$49,500
Printing	\$7,400
Total Expenses	\$131,520.00



Agenda Item: Certified Galveston Ambassador Update

Background: Since 2014, Visit Galveston has offered the international Certified Tourism Ambassador™ (CTA) program through a third party. As staff looked for options to provide a more robust training program for Park Board staff, Trustees, committee members, front line employees, stakeholders, and community members, they were lead toward developing a certification program of our own and to bring its administration in house. Creating Galveston's own program, the Certified Galveston Ambassador program will allow for customizable class options, additional training avenues such as on-line classes, podcasts, video tours, community forums, and specialized tracks (history, environmental/nature tourism, DEI/Accessibility, Hospitality, etc.). As well as develop a continuing education portal that Certified Galveston ambassadors would continually use as a resource of information. Currently staff is working with local area experts to complete the buildout of the course curriculum, certification program and the portal resources. Below are the topics the class and program will cover upon roll out of the program.

- Program Overview
- Park Board of Trustees, Visit Galveston, City of Galveston, and Chamber Overview
- Tourism Pays: Economic Impact
- Marketing/Branding
- Social Media
- Importance of Hospitality/Customer Service skills
- Galveston Island History
- DEI training
- Mindfulness
- CGA Moving Forward
- Arts & Culture
- Transportation/Parking
- Port of Galveston
- Workforce Development & Education
- Beach Patrol, Junior Beach Patrol & Wave Watchers
- Nature Tourism
- Environmental best practices
- Finding Resources

Our goal is to have the new program ready to roll out in the first quarter of FY 2024. The certification process will take an additional 8 to 12 weeks to receive once all documentation is submitted to the certifying body - IACET.

Funding Source: TD 63 5167



Agenda Item: Update on Galveston Visitors Center

Background: In 2020, due to the economic impacts of the pandemic, the difficult decision was made to close the Visitors Center at Ashton Villa. Our secondary Visitor Information Center (VIC), located at 2228 Mechanic Street inside the lobby of the Galveston Regional Chamber of Commerce, became the main Visitor Information Center (VIC) for Galveston Island.

The Galveston Regional Chamber of Commerce has made the decision to relocate to a new location in the historic Sealy Hutchings Building at 2328 Strand Street, by the end of 2023. As such, Visit Galveston will need to relocate the VIC to a new space. The opportunity to have our own lease space in the historic Sealy Hutchings Building at 2328 Strand Street became available, which would allow us to continue our great relationship with the Chamber. The building is currently home to Riondo's Ristorante, Belle Lee's Boutique, Tina's Boutique on the main level and a small skate shop on the 2nd floor. The Chamber will move its offices to the 3rd floor.

Building Highlights include:

- Historic
- Ample space for interactive kiosks throughout the building
- Accessible entrance at the back of the building with a ramp.
- An elevator is located inside the main entrance to access the upper levels.
- Future buildouts that include a coffee and daiquiri stand with café tables for visitors to enjoy.
- The building is open to the public nightly until 9:00pm and is included on most of the local Ghost and Historical tours offered downtown.
- Open gallery space that can be utilized for art installations, historical exhibits, holiday décor & more.
- Large Visitor Center space to include:
 - TV Wall
 - Photo Booth
 - Front Desk
 - Brochure Racks
 - Soft Seating
 - Coffee Bar
 - Touch Tank
 - Retail Shop
 - Digital Kiosk
- Small theatre space to show historical short clips and videos of Galveston.
- Flex Space that can be utilized as a classroom for our Certified Galveston Ambassador program, additional meeting space, event venue and/or gallery space for Art & History exhibits.
- Office Space
- Storage Space
- Public Restrooms

Renderings are attached.

The Visitor Information Center will relocate at the same time the Chamber of Commerce moves into their new location. This date is TBD awaiting improvements to be completed.

Funding Source:

Funding to buildout the space and elevate the visitor experience will come from TD 69 5254

The Lessor, Caminos Historic Properties, LLC, has proposed a lease agreement that would start January 1, 2024, and would not have rent attached to that agreement until 2025 as follows:

Commencement Date: January 1, 2024

Premise 2328 Strand, Galveston, Texas 77550 – Suite 200 and 270

Deposit \$0.00

Primary Lease Term

Monthly Base Rent

January 1, 2024 to December 31, 2024 \$0.00

January 1, 2025 to December 31, 2025 \$3,000.00

January 1, 2026 to December 31, 2026 \$3,000.00

January 1, 2027 to December 31, 2027 \$3,000.00

January 1, 2028 to December 31, 2028 \$3,000.00

Update on Galveston Visitor Center

Renderings:

Office and Storage



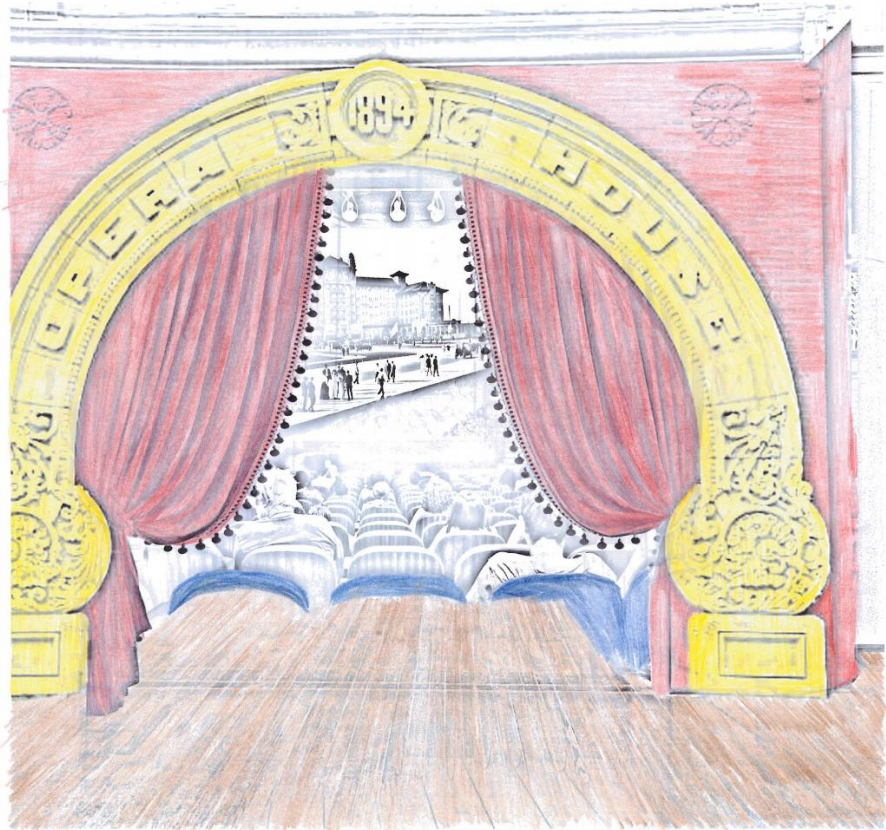
Retail Space



Coffee Bar and Seating Area



Small Theatre





GALVESTON
* ISLAND *
Park Board of Trustees

Agenda Item Overview

Agenda Item: Present 2021-2022 Park Board of Trustees Annual Report

Background: Each year, staff prepares an annual report for the Park Board of Trustees that features results from the organization by each department. The report contains how the organization is funded and identifies past and current trustees, park revenues, and services provided by the Galveston Island Beach Patrol and Coastal Zone Management. Highlights from the Visit Galveston sales and marketing team are outlined in the report.

The following pdf is a copy of the full report.

PARK BOARD

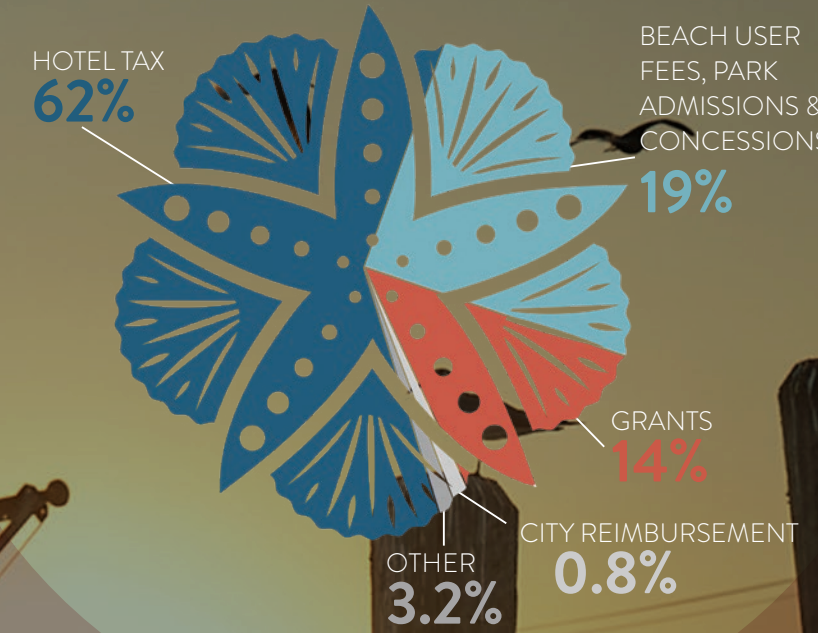
In 1963 the citizens of Galveston voted to create a specialized unit of government called the Park Board of Trustees of the City of Galveston. The organization is responsible for overseeing Galveston's tourism efforts, Galveston Island Beach Patrol (GIBP) and Coastal Zone Management (CZM). The Park Board is funded primarily through Hotel Occupancy Tax (HOT) and beach user fees for the parks that they manage. Tourism pays for tourism as no sales or property tax is collected by the Park Board.

The nine-member board is comprised of volunteer residents with diverse business backgrounds. Each is required to serve at least two years and must also serve on one of the Park Board's advisory committees.

2022-2023 TRUSTEES

- Marty Fluke, Chair**
Retired, Citizen at Large
- Will Wright, Vice Chair**
Chief Creative Officer, Galveston Historical Foundation
- David Jacoby, Secretary**
Financial Advisor, SOAR Investment Properties
- Mike Bouvier**
City of Galveston Council Member
- Kimberly Gaido**
Real Estate Agent, Sand 'N Sea Properties
- Jason Hardcastle**
Wealth Advisor, 6 Degrees Wealth
- Jeff Ossenkopp**
General Manager, The Tremont House, Thompson Lofts & Rosenberg Residences
- Spencer Priest, Chair**
General Manager, Doubletree Hotel
- Jason Worthen**
Business Owner, Gulf Coast Water Sports

2021-2022 FUNDING SOURCES



2021-2022 TRUSTEES

- Spencer Priest, Chair**
General Manager, Doubletree Hotel
- Will Wright, Vice Chair**
Chief Creative Officer, Galveston Historical Foundation
- David Jacoby, Secretary**
Financial Advisor, SOAR Investment Properties
- David Collins**
City of Galveston Council Member
- Steven Creitz**
Project Manager, Mitchell Historic Properties
- Marty Fluke**
Retired, Citizen at Large
- Jason Hardcastle**
Financial Advisor, Edward Jones
- Maureen Patton**
Executive Director, The Grand 1894 Opera House
- Jason Worthen**
Business Owner, Gulf Coast Water Sports



601 TREMONT ST. GALVESTON, TX 77550
409.797.5000
INFO@GALVESTONPARKBOARD.ORG
GALVESTONPARKBOARD.ORG



2022/2023 ANNUAL REPORT

LETTER FROM THE CHAIR & CEO

If last year was about resiliency, this year was about exponential growth. The perseverance and ingenuity that Galveston employed through the global pandemic was rewarded with increased revenues from tourism. Across the island, we saw Galveston industry partners investing in their existing businesses and adding new concepts that bring value to residents and visitors alike.

BEST YEAR ON RECORD

In 2021-2022, the Park Board collected a record amount of hotel occupancy taxes (HOT) -- \$29.5 million. The amount represented an economic impact of \$1.2 billion for the City of Galveston. In fact, during each month of the fiscal year, October through September, HOT collections were the highest on record. Over the same period, visitation increased by 23% over the prior year and overnight stays increased from 2.3 million to 2.6 million. Each overnight visitor spent an estimated \$245 per day.

CLOSING THE TAX GAP

This year, the island's lodging mix saw a significant change in make-up with vacation rentals contributing 53% of the total HOT collections. This marks the first time this group has out earned the traditional hotel and lodging sector. Thanks to collaboration among these industry partners, the Park Board's vacation rental task force and the City of Galveston were able to identify and register 4,913 properties compared to 3,800 in 2021. The task force also worked to identify a software system that will assist the Park Board and the City of Galveston with compliance and enforcement.

SIGNIFICANT CAPITAL INVESTMENTS

The Park Board made significant capital investments at parks the organization manages. Stewart Beach underwent \$1.6 million drainage project that used natural engineering methods to mitigate flooding caused by heavy rain and run-off at the park. The Park Board invested in mobile amenities – restrooms, showers and concession services at the park. The mobile amenities provide services closer to the beach and can be removed in the event of a storm. They will remain in use until a new pavilion is constructed. The Park Board has been working intentionally to make the beach experience more accessible. Stewart Beach is home to ADA decking that stretches from the parking lot to the mobile amenities and to the beach making it possible for wheelchairs and powerchairs to glide all the way to the water. The Park Board approved designs to build a new world class Beach Patrol headquarters building that would allow for future growth and the potential to be a carbon neutral facility—the first of its kind.

The Park Board is made up of amazing people whose jobs directly impact the safety and the quality of life of residents and visitors. We are incredibly honored to lead this team of remarkable humans from coastal zone management, beach patrol, parks, tourism and administration. The work they put in every day makes Galveston a great place to live, work and visit.



Marty Fluke, Chair

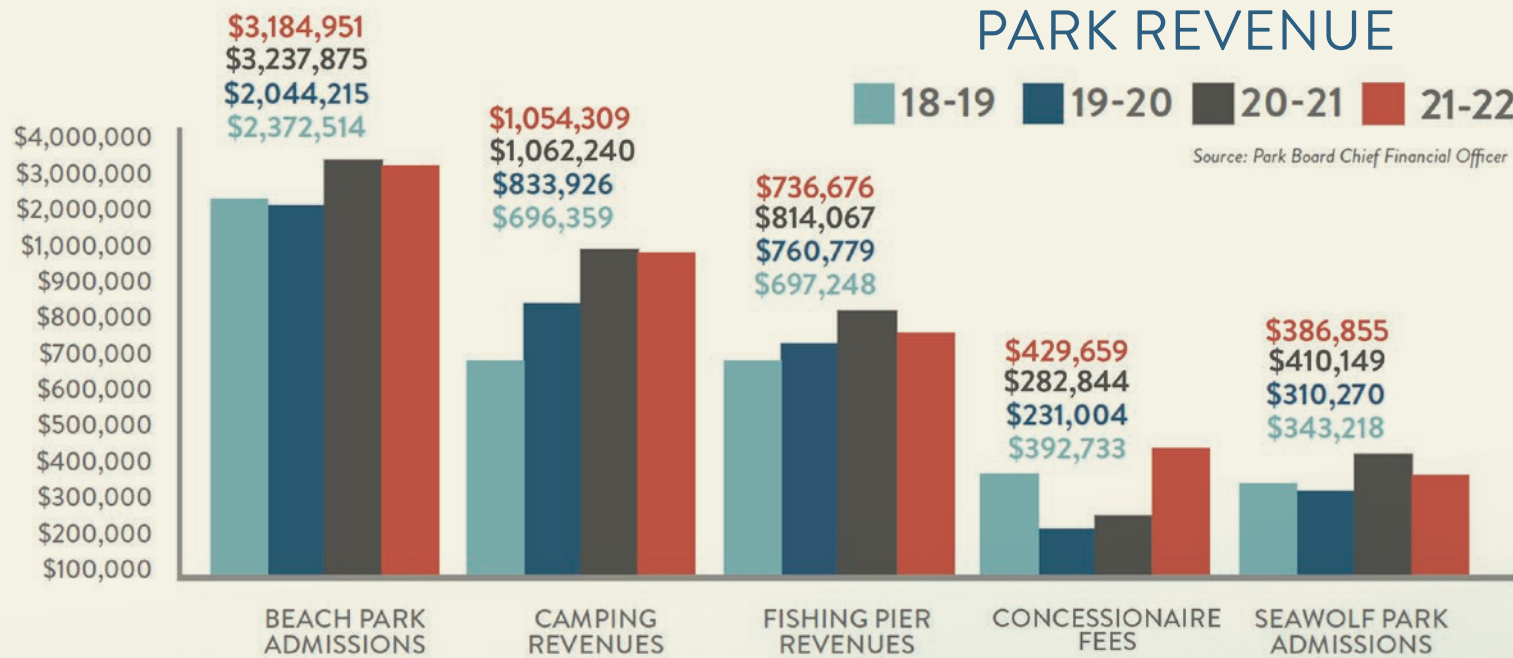


Kelly de Schaun, CEO

PARKS

The Park Board manages R.A. Apffel Beach Park (East Beach), Stewart Beach, Dellanera RV Park, Seawolf Park, East End Lagoon Nature Preserve and Seawall Urban Park. The citizen-led Parks and Amenities Committee works with staff to develop and enhance these assets. The parks receive no property or sales tax and are funded through user-generated fees. This year, in accordance with the interlocal agreement with the City of Galveston, the Park Board contributed \$1,162,469 of park revenues to the City of Galveston's general fund, maintenance and repairs reserve fund, and capital reserve fund.

PARK REVENUE



R.A. APFFEL BEACH PARK - EAST BEACH -

PARKING REVENUES - \$668,530

MAJOR EVENTS HOSTED
World Ocean Day, AIA Sandcastle Competition, Artist Boat's Bucket Brigade, Sandcastle building lessons, volleyball and soccer tournaments

46 PROGRAMS DELIVERED | 30 EVENT RENTAL AGREEMENTS EXECUTED | 30 COMMUNITY EVENTS HOSTED

SEAWALL URBAN PARK

PARKING REVENUE - \$1,882,728
VEHICLES - 306,373

MAJOR EVENTS HOSTED
4th of July festivities, Dog surfing competition and La Izquierda surfing competition and music festival and hosted 12 community events

DELLANERA RV PARK

CAMPING REVENUE - \$1,054,309

4 PROGRAMS DELIVERED

EAST END LAGOON NATURE PRESERVE

MAJOR EVENTS HOSTED
World Migratory Bird Day and Ribbon Cutting Celebration of Interpretive Trail

TOTAL CAPITAL IMPROVEMENTS \$804,921

Seawall Beach Drainage Project funded by GOMESA and IDC \$1.5 MILLION

STEWART BEACH

PARKING REVENUE - \$602,006

MAJOR EVENTS HOSTED
Walk to Cure Alzheimer's

5 PROGRAMS DELIVERED | 5 COMMUNITY EVENTS HOSTED

SEAWOLF PARK

ADMISSION - \$444,247
FISHING - \$737,954
1ST YEAR OF FLOUNDER MORATORIUM

MAJOR EVENTS HOSTED
USS Texas Watch Party, Red Drum Tournament, CCA KidFish and Flower Banks Garden Art installation

11 PROGRAMS DELIVERED | 3 EVENT RENTAL AGREEMENTS EXECUTED | 4 COMMUNITY EVENTS HOSTED

BEACH PATROL

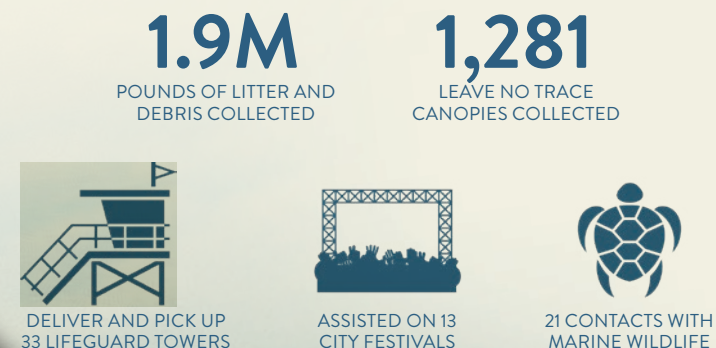
The Galveston Island Beach Patrol (GIBP) team safeguards millions of beachgoers each year. Whether keeping close eye from lifeguard stands or patrolling by truck along the island's 32 miles of coastline. The department is funded through Hotel Occupancy Taxes.



HOSTED VOLUNTEER CLEANUP GROUPS WITH 312 PARTICIPANTS AND 2,258 LBS OF TRASH COLLECTED
2,460 BOTTLE CAPS TO RECYCLE

COASTAL ZONE MANAGEMENT

Stewards of Galveston's coastal environment, the Coastal Zone Management (CZM) team works on the beachfront to keep the island's shores clean, green and pristine. The citizen-led Beach Maintenance Advisory Committee is comprised of research and science professionals and concerned citizens who make recommendations about beach nourishment, cleaning and litter control. Coastal Zone Management is funded through HOT and contributions from the Texas General Land Office and the City of Galveston.



TOURISM DEVELOPMENT

Visit Galveston is the official destination marketing organization of Galveston Island. The team works to promote tourism within the leisure, group travel and meetings and convention markets and is funded solely by visitor-generated Hotel Occupancy Tax. The Tourism development team works with guidance from the citizen-led Tourism Development Advisory Committee comprised of professionals in tourism, outdoor recreation and arts and culture. The Visit Galveston team is made up of Marketing, Group Sales, Destination Services and Public Relations.

MARKETING

OWNED MEDIA

2,051,758 website sessions and 3,956,012 pageviews

Increased social channel followings by 600,898, generated 117,570,884 impressions (5% growth) with 8,112,568 engagement

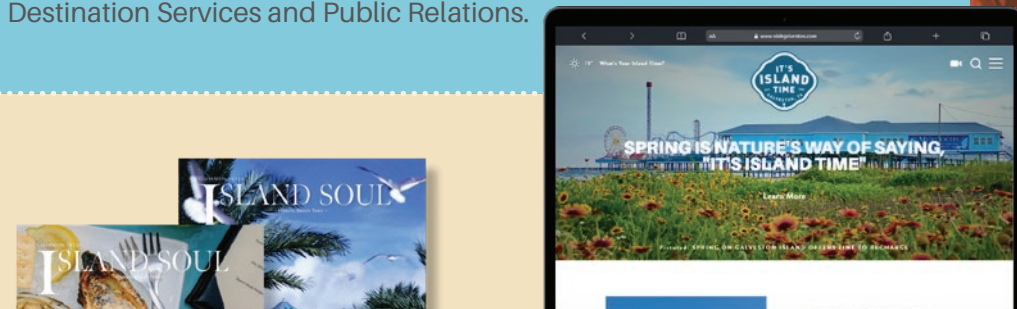
Received the Bronze award for best travel publication for *Island Soul* from the National Association of Travel Journalists

GROUP SALES

Sales team produced 450 leads, highest on record for the current team - a 55% increase from 2020-2021

Produced 69,388 definite room nights, a 15% increase from 2020-2021

Welcomed over 143,000 meeting and convention attendees



PAID MEDIA

130,965,287 IMPRESSIONS SERVED

10,693,432 VIDEO COMPLETIONS

.65% CLICK THROUGH RATE (.07% industry average)

DESTINATION SERVICES

VISITOR INFORMATION CENTER WELCOMED 15,045 VISITORS

MOBILE VISITOR INFORMATION CENTER WELCOMED 6,933 VISITORS

170 NEW CERTIFIED TOURISM AMBASSADORS - A 60% INCREASE

20,595 COPIES OF ISLAND SOUL MAILED

PUBLIC RELATIONS

2,068,065,045 REACH

\$6,180,888 AD VALUE EQUIVALENCY

42 PRESS RELEASES DISTRIBUTED

23 WRITERS HOSTED

4 MEDIA EVENTS

7 MEDIA MISSIONS

RESULTING PRESS COVERAGE IN:





GALVESTON
★ ISLAND ★
Park Board of Trustees

Agenda Item: Monthly Visit Galveston Executive Reports

October, November, and December 2022 Monthly Executive Reports

OCTOBER 2022 EXECUTIVE SUMMARY

VISIT GALVESTON

For October, we produced **26** leads with **8,196** potential room nights. In addition, we had **18** Definite Bookings resulting in **6,331** room nights with an estimated economic impact of **\$3,381,012**. Year to Date Definite Bookings are **6,331** future room nights. The definite business booked year to date has a potential economic impact of approximately **\$3,381,012** for Galveston Island. (*Note: This figure is based on Destinations International's Economic Impact Calculator.*)

Definites: 18

2022 – 9

2023 – 9

ACTIVITIES & UPDATES:

- **INDUSTRY MEETINGS/NETWORKING:**
IMEX America Tradeshow – Bryan, Tiffany, Ciara
Galveston Chamber C-Crewe Luncheon, Bryan, Tiffany, Haley
Connect Faith Marketplace – Tiffany
- **SITE VISITS/FAMs:**
Haunted History Client Familiarization Tour, All
Boating Trades Association of Metro Houston, 2023, Bryan
ITS Texas, 2023, Tiffany
Royal Caribbean Cruise Line, 2022-23, Tiffany

DESTINATION SERVICES

- **Group Serviced:**
59 events serviced / 4,690 event attendance

DESTINATION EXPERIENCES

- **Visit Galveston App**

	<u>2022-2023</u>	<u>2021-2022</u>	<u>2020-2021</u>
Total Users – 1,321	1,321	17,748	9,536
Total Sessions – 1,627	1,627	21,760	12,936
Pageviews – 7,632	7,632	102,463	63,476
IOS Downloads – 108	108	1,832	1,277
Android Downloads - 28	28	424	407
- **Visitor Information Centers Traffic**

	<u>Last Month</u>	<u>2022-2023</u>	<u>2021-2022</u>	<u>2020-2021</u>
Visitor Information Center:	1,597	1,597	15,045	9,052
VICi	100	100	6,933	0
- **Visitor Guide Distribution**

	<u>Last Month</u>	<u>YTD</u>	<u>2021-2022</u>
Digital Guide Requests:	673	673	7,027
Mailed Guide Requests:	2,607	2,607	20,595
Bulk Guide Distribution:	61 Cases	61 Cases	1,631 Cases
- **CTA Program**

New CTA's - 15	YTD: 15	2022-2023: 170
----------------	---------	----------------

ADVERTISEMENTS:

- Digital Billboards in Houston
- Streaming commercials in key target markets
- Native articles in key target markets
- Digital ads on TripAdvisor
- Digital ads on Expedia/VRBO

- Digital ads on Google
- Digital ads with iHeartMedia
- Digital ads and native articles on 365Houston
- Print and digital ads in Houston Family Magazine
- Greater Houston Official Visitors Guide
- Social Media Ads on Facebook and Instagram
- Texas Meeting Planner Guide
- CVENT Destination Guide
- TSAE Texas Society of Association Executives Magazine

SPECIAL EVENTS:

- Met with promoter to discuss potential of hosting climate change/awareness festival in Galveston 2023.
- Continued discussion with promoter about hosting large-scale boat/auto show in fall 2023.
- Continued discussion with promoter about hosting running event Thanksgiving 2022.
- Continued discussion with promoter about hosting beach polo event at East Beach spring 2023

FILM PROJECTS:

- Big Table Media – filming for new season of *Restoring Galveston* series.



October 2022 Overview



	LEADS						DEFINITES						Economic Impact
	2020/2021		2021/2022		2022/2023		2020/2021		2021/2022		2022/2023		
	#	TRN	#	TRN	#	TRN	#	TRN	#	TRN	#	TRN	
October	10	3,554	34	19,015	26	8,196	10	4,170	6	2,876	18	6,331	\$3,381,012.00
November	13	7,179	36	12,653			6	4,176	44	4,800			
December	16	9,635	33	12,573			9	4,094	18	7,253			
January	28	9,333	36	13,228			8	4,976	22	6,321			
February	14	5,303	39	16,682			9	3,426	13	9,031			
March	39	15,315	39	15,150			18	6,374	17	5,601			
April	23	7,368	36	15,161			7	2,930	17	5,081			
May	20	8,814	47	25,195			14	5,467	16	7,808			
June	31	12,198	44	17,539			13	6,841	14	4,929			
July	30	17,693	25	13,816			7	2,754	6	6,719			
August	27	12,965	43	15,954			6	2,958	15	3,499			
September	40	15,811	38	18,734			33	13,313	12	4,497			
Total	291	125,168	450	195,700	26	8,196	140	61,479	200	68,415	18	6,331	\$3,381,012.00
Goals		135,000		135,000		135,000		61,000		66,000		68,000	
Percentages		92.72%		144.96%		6.07%		100.79%		103.66%		9.31%	



October 2022 Monthly Website Summary

URL	Visits	Users	Time on Site	Pages per visit
2020 visitgalveston.com	30,243	26,665	1:47	1.84
2021 visitgalveston.com	95,499	77,777	1:47	1.84
2022 visitgalveston.com	193,014	150,083	1:50	1.87

visitgalveston.com:

- 193,014 sessions of which 144,247 were new users with 360,582 pageviews
- 24,297 (16.22%) desktop sessions, 118,941 (79.4%) mobile sessions and 6,571 (4.39%) tablet sessions
- Most visited pages are 'webcams' at 11,236 visits, 'homepage' at 10,886, 'things to do' at 9,842, 'events' at 9,408, 'north galveston webcam' at 8,649, 'cruise-lines' at 8,113, 'lone-star-rally' at 6,630, 'fall-festivals' at 6,275, 'beaches' at 6,233, 'cruising' at 6,184, dellanera rv park' at 5,535, 'harbor webcam' at 4,809, 'seawall beach webcam' at 4,600, '12 bucket list worthy things to do' at 4,217, 'visitor guide request' at 3,968, 'seawolf park' at 3,849, 'where to stay' at 3,562, 'plan your trip' at 3,404, 'artoberfest' at 3,282, 'oktoberfest' at 3,049, 'stewart beach webcam' at 2,702 'downtown webcam' at 2,465, 'upcoming events' at 2,449 and 'best ways to see the battleship texas' at 2,350
- Average time on site @ 1:50 seconds

Geographic Overview:

- Texas represents 65.06% or 100,483 visits of all US visitors followed by Illinois w/ 5,148, Louisiana w/ 5,145, Oklahoma w/ 4,785, Missouri w/ 3,563 visits, Florida w/ 2,426, Kansas w/ 2,347, Wisconsin w/ 2,277, Arkansas w/ 2,250 and Iowa w/ 2,190
- After the US market (97.1% of visitation) Canada represents the most significant visitors @0.70% followed by United Kingdom at .31% and Mexico at .19%
- Visitation by city, Houston represents 20.6% of all visitors, followed by Dallas w/ 11.22% or 17,950, Galveston w/ 3.58% or 5,722, Austin w/ 2.56% or 4,103, San Antonio w/ 1.99% or 3,185, Chicago w/ 1.69% or 2,709, Fort Worth w/ 1.05% or 1,674, League City w/.91% or 1,454, and Seattle w/ .89% or 1,417 visits

PUBLIC RELATIONS

OCTOBER 2022 END OF MONTH REPORT

MEDIA OUTREACH - GROUP FAM

The PR Team hosted three Austin-based writers on a FAM tour: Charles Lohrmann (Editor at Large, Texas Coop Power), Deborah Hamilton Lynne and Catherine Parker (freelance writers)

INDIVIDUAL FAMS

The PR Team coordinated a stay from Ron Prudiak, a Canada-based newspaper writer.

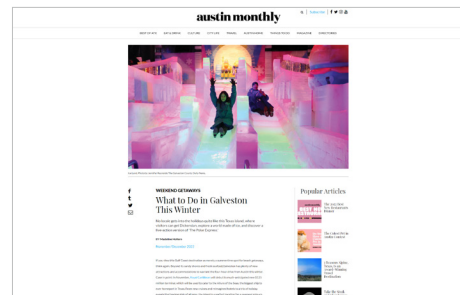
PRESS RELEASES DISTRIBUTED

Washed Ashore to Come to Galveston Island
Haunted Galveston
Galveston is the Winter Wonder Island of Texas

MEDIA REQUESTS

Colleen Kelly (Kelly Media Productions), Tami Brooks (Travel Awaits), Kirsten Maxwell (KidsAreATrip.com), Lori Anderson (AAA Explorer), Carly Brasseur (DFWChild.com), John Henry Perera (Houston Chronicle), JoAnn Holt (Dallas freelance), Theresa Russell (Michigan freelance), June Naylor (Fort Worth freelance)

YEAR	REACH	AD VALUE EQUIVALENCY
2021	45,451,623	\$117,381.89
2022	55,622,373	\$152,066.11



Galveston received significant coverage in this regional publication.



TheTravel.com recognized Galveston as a best-beach-town.



Galveston was mentioned in this popular blog.

PUBLIC RELATIONS

OCTOBER 2022 END OF MONTH REPORT

ADVOCACY

STORY PITCHES

Wheelchair accessibility at Stewart Beach- Ran on KPR2

BOARD MEETING

Developed talking points for the Trustees on board member changes, beach safety, trash collections on 4th of July, lodging insights and island savings pass

CRISIS COMMUNICATION

Monitored news coverage surrounding short term rental registration, Beach Patrol Headquarters, concessionaire disputes and City Council meeting

SPEAKING ENGAGEMENTS

International Life Saving Association Convention- Chief Peter Davis

GALVESTON COUNTY DAILY NEWS

- Coordinated eight stories and three guest columns with the Galveston Daily News including “Galveston City Council to take up a very HOT political potato,” “Guest commentary: Galveston must keep fine balance between tourist, resident,” and “Galveston City Council faces tough decision about hotel taxes.”
- Inside the Park Board Column:
 - National Miss Juneteenth Pageant comes to Galveston
 - Discover the ghostly side of Galveston
 - New trustees add vitality, expertise to board
 - On the road: Marketing at consumer shows

CHAMBER OF COMMERCE E-BLASTS

- Short term rental registration
- Miss Juneteenth Pageant

PARK BOARD SOCIAL MEDIA

Park Board Facebook: 7 posts, 12,813 reached

UPCOMING PROJECTS



- Dellanera nourishment project
- Washed Ashore
- Beach Patrol Calendar
- Mobile amenities grant

October 2022 | Media Coverage Report




Outlet	Headline	Date	Medium	Outlet Type	DMA	Houston	Country	Tone	Reach	Publicity Value	Source URL	Text Excerpt	
Houston On The Cheap	Strawberry picking near Houston - 15 farms to pick your own fruits & vegetables	10/1/2022	Online	Blog, consumer	National	United States	POS	20,660	\$4.78	\$4.78	http://houstononthecheap.com/strawberry-picking-near-houston-best-farms-to-pick-fruits-vegetables	Feel comfortable, set off and discover key city highlights. Tour the Strand Historic District, admire the 1892 Bishop's Palace, enjoy the Moody...	
HAPPENINGNEXT	2022 Celebrating Hope Gala	10/4/2022	Online	Online, consumer		United States	POS	N/A	\$0.00	\$0.00	http://happeningnext.com/event/2022-celebrating-hope-gala-ed3a092x205	Sea and Convention Center, Hope Blvd, Galveston, TX, United States, Galveston, United States Event Location & Nearby Stays, Host or Publisher	
HAPPENINGNEXT	AI's Paranormal Tour	10/4/2022	Online	Online, consumer		United States	POS	N/A	\$0.00	\$0.00	http://happeningnext.com/event/ai-paranormal-tour-ed4nsmj0u1	AI's Paranormal Tour happening at Green 2hr parking signs at 823 Rosenberg, 860 Rosenberg Street, Galveston, United States on Tue Oct 04 2022 at	
HAPPENINGNEXT	Open House - 5515 Ave R Galveston TX	10/5/2022	Online	Online, consumer		United States	POS	N/A	\$0.00	\$0.00	http://happeningnext.com/event/open-house-5515-ave-r-galveston-tx-ed3a092x205	HOUSE - Saturday Oct 8 12pm-2pm. Come out and see me at 5515 Ave R Galveston TX. This cute home has a HUGE yard and TWO EN SUITES! Perfect for	
Houston On The Cheap	Greek Festival in Houston 2022: Guide to Greekfest tickets, food, entertainment and more!	10/5/2022	Online	Blog, consumer	National	United States	POS	20,660	\$4.78	\$4.78	http://houstononthecheap.com/greek-festival-in-houston-greekfest-2022-tickets-dates-location	Mission. There are also other Greek festivals in Texas including the Galveston Greek Festival and the Austin Greek Festival! Greek Festival in	
Pasadena Citizen	CALENDAR	10/5/2022	Print	Newspaper	Houston, TX	Yes	United States	POS	2,345	\$611.72	N/A		OCT. 5 Astor Princess. A time traveler tells bilingual fables about making good choices and stranger danger during a Hispanic Heritage Month performance. 11 a.m.-12:15 p.m.
The Bay Area Citizen	CALENDAR	10/5/2022	Print	Newspaper	Houston, TX	Yes	United States	POS	N/A	\$936.10	N/A		OCT. 5 Astor Princess. A time traveler tells bilingual fables about making good choices and stranger danger during a Hispanic Heritage Month performance. 11 a.m.-12:15 p.m.
TopAdvisor	5 romantic getaways in Texas, from vineyard retreats to beach getaways.	10/5/2022	Online	Social Networking Site	Boston, MA		United States	POS	22,193,177	\$5,103.97	http://topadvisor.com/articles/18k8q9vWkXa-Romantic-getaways-in-texas.html	off into the sunset. Add a dash of romance with a Dallas By Chocolate Tour. Stopping by delicious chocolate makers, you'll sample all kinds of.	
News Break	Ice Carvers Arriving at Moody Gardens	10/6/2022	Online	Online, consumer		United States	POS	1,892,000	\$435.16	\$435.16	http://newsbreak.com/news/2775628042902/ice-carvers-arriving-at-moody-gardens	Ice Carvers Arriving at Moody Gardens Galveston.com 6 hours ago Read full article on original website	
USA News Lab	Houston-area occasions: Fall festivals in October, November	10/6/2022	Online	Online, consumer		United States	POS	N/A	\$0.00	\$0.00	https://usnewslab.com/houston-area-occasions-fall-festivals-october-november/	tickets \$15 in advance, or \$20 on the gate Island Octobers in downtown Galveston is the place to be Oct. 21-22 for the fourth annual Island.	
HAPPENINGNEXT	AI's Paranormal Tour	10/7/2022	Online	Online, consumer		United States	POS	N/A	\$0.00	\$0.00	http://happeningnext.com/event/ai-paranormal-tour-ed4nsmj0u1	AI's Paranormal Tour happening at Green 2hr parking signs at 823 Rosenberg, 860 Rosenberg Street, Galveston, United States on Mon Oct 10 2022 at	
HAPPENINGNEXT	All Access Tours of the 1895 Moody Mansion	10/9/2022	Online	Online, consumer		United States	POS	N/A	\$0.00	\$0.00	http://happeningnext.com/event/all-access-tours-of-the-1895-moody-mansion-ed4nsmj0u1	a portion of the plumbing system - all of which are now part of the Galveston Children's Museum. On the top floor, you will see artifact storage	
HAPPENINGNEXT	AI's Paranormal Tour	10/9/2022	Online	Online, consumer		United States	POS	N/A	\$0.00	\$0.00	http://happeningnext.com/event/ai-paranormal-tour-ed4nsmj0u1	AI's Paranormal Tour happening at Green 2hr parking signs at 823 Rosenberg, 860 Rosenberg Street, Galveston, United States on Sun Oct 9 2022 at	
HAPPENINGNEXT	EEDHA's Fran Kelly Fall Garden Tour	10/9/2022	Online	Online, consumer		United States	POS	N/A	\$0.00	\$0.00	http://happeningnext.com/event/eedha-fran-kelly-fall-garden-tour-ed4nsmj0u1	EEDHA's Fran Kelly Fall Garden Tour happening at East Historical District Association, 1501 Postoffice St, Galveston, United States on Sat Oct	
Houston On The Cheap	Galveston Greek Festival 2022 - Dates, Tickets, Food & more!	10/9/2022	Online	Blog, consumer	National	United States	POS	20,660	\$4.78	\$4.78	http://houstononthecheap.com/news-galveston-greek-festival-2022	The 38th Annual Galveston Greek Festival 2022 celebrates Hellenism with food, wine, pastries, and dancing. Presented by The Assumption of the	
News Break	Galveston Greek Festival 2022: Guide to Greekfest dates, tickets, food, entertainment and more!	10/9/2022	Online	Online, consumer		United States	POS	1,892,000	\$435.16	\$435.16	http://newsbreak.com/news/277908329466/galveston-greek-festival-2022-guide-to-greekfest-dates-tickets-food-entertainment-and-more	Galveston Greek Festival 2022: Guide to Greekfest dates, tickets, food, entertainment and more by Carrett C. houstononthecheap.com 2 hours ago Read full article on original website	
Best Life	10 U.S. Cities That Will Make You Think You're On a Tropical Island	10/10/2022	Online	Online, consumer		United States	POS	1,148,685	\$310.20	\$310.20	http://bestlifeonline.com/tropical-vacations-us-cities-would	plants. The perfect day should be rounded-off listening to some live music and sampling the scrup iron moonshine. Additional	
Detail Oriented Traveler	28 Enjoyable Thanksgiving Vacation Ideas in the US for families	10/11/2022	Online	Blog, consumer	National	United States	POS	1,483	\$0.34	\$0.34	http://detailorientedtraveler.com/thanksgiving-vacation-ideas-for-families/	beachfront Suites will give you easy access to the ocean, and the Hotel Galveston has the best Sunday Texas Brunch. Lake Sabine Another gorgeous day	
DFWChild	Travel Archives	10/12/2022	Online	Online, trade/industry		United States	POS	6,660	\$1.52	\$1.52	http://dfwchild.com/category/thing-to-do/travel/page/3/	Three major cruise lines port in Galveston, meaning an epic vacation to Florida, Mexico	
Houstonia Magazine Online	Still Standing: An Inside Look into Galveston's Historic Homes	10/13/2022	Online	Online, consumer		United States	POS	67,158	\$145.45	\$145.45	http://houstoniamag.com/home-and-real-estate/oldest-homes-galveston-texas	Space City Still Standing: An Inside Look into Galveston's Historic Homes These houses date back to the 1800s and offer a glimpse into the	
Deep South Magazine	8 Tips for Planning a Trip to Texas - Deep South Magazine	10/14/2022	Online	Online, consumer	Lafayette, LA	United States	POS	8,387	\$1.93	\$1.93	http://deepsouthmag.com/2022/10/14/8-tips-for-planning-a-trip-to-texas/	will need to narrow down your options. If you are looking for a beach vacation, you might want to consider Corpus Christi, Galveston or South	
WQAI-TV Online	Celebrate the holidays at Moody Gardens	10/14/2022	Online	Online, consumer	San Antonio, TX	United States	POS	226,475	\$52.07	\$52.07	http://americantowns.com/event/the-25th-annual-artoberfest-2022-10-15-galveston-tx.html	and it's the perfect time to take the family out for a quick weekend getaway. Moody Gardens in Galveston has you covered. Open the	
American Towns	The 25th Annual Artoberfest	10/15/2022	Online	Online, consumer	National	United States	POS	55,764	\$44.89	\$44.89	http://americantowns.com/event/the-25th-annual-artoberfest-2022-10-15-galveston-tx.html	ARToberfest 2022, downtown the Grand 1894 Opera House, fills Galveston's Downtown Cultural Arts District with art, music and	
HAPPENINGNEXT	AI's Paranormal Tour	10/15/2022	Online	Online, consumer		United States	POS	N/A	\$0.00	\$0.00	http://happeningnext.com/event/ai-paranormal-tour-ed4nsmj0u1	AI's Paranormal Tour happening at Green 2hr parking signs at 823 Rosenberg, 860 Rosenberg Street, Galveston, United States on Thu Oct 20 2022 at	
Traveling Lifestyle	13 Best Beaches in TEXAS to Visit in Fall 2022	10/15/2022	Online	Online, consumer		United States	POS	25,605	\$0.00	\$0.00	http://travelinglifestyle.net/best-beaches-texas/	Here, keep in mind that the island is home to raintrees, Jamaica Beach Located in Galveston County, Jamaica Beach is a beautiful Texas	
Vietnam Explorer	Best bets for your Houston weekend: Spooky symphonies, an ARBORUM bash, The Black Keys and more	10/15/2022	Online	Online, consumer		United States	POS	204,240	\$0.00	\$0.00	http://vietnamexplorer.net/best-bets-for-your-houston-weekend-spooky-symphonies-an-arborum-bash-the-black-keys-and-more-ed384529.html	This grand fine art festival in Galveston features work by more than 120 artists, food, and live music. Admission proceeds benefit The 1894 Grand Opera House's education	
HAPPENINGNEXT	All Access Tours of the 1895 Moody Mansion	10/16/2022	Online	Online, consumer		United States	POS	N/A	\$0.00	\$0.00	http://happeningnext.com/event/all-access-tours-of-the-1895-moody-mansion-ed4nsmj0u1	a portion of the plumbing system - all of which are now part of the Galveston Children's Museum. On the top floor, you will see artifact storage	
East Texas News	East Texas News - Aretha Franklin Tribute Concert/Grand 1894 Opera House	10/17/2022	Online	Online, news and business		United States	POS	500	\$0.12	\$0.12	http://newsbreak.com/news/278700001571/now-s-the-time-to-visit-moody-gardens-aquarium	Print Aretha Franklin Tribute Concert/Grand 1894 Opera House Sunday, 23 October 2022 Galveston Visit the page of this event Print Events	
News Break	Now's the Time to Visit Moody Gardens Aquarium	10/17/2022	Online	Online, consumer		United States	POS	1,892,000	\$435.16	\$435.16	http://newsbreak.com/news/278700001571/now-s-the-time-to-visit-moody-gardens-aquarium	Now's the Time to Visit Moody Gardens Aquarium Galveston.com 2 days ago Read full article on original website	
The Travel	10 Beach Towns in Texas That Will Make You Want to Stay	10/17/2022	Online	Online, consumer	Canada	Canada	POS	194,972	\$44.84	\$44.84	http://thetravel.com/best-beach-towns-in-texas/	the best of both worlds as there are many things to do when visiting Galveston. Located 50 miles from Houston, this beach city in Texas has	
107.3 KISS FM Texas	Win A Fun Family Holiday Weekend Package To Moody Gardens in Galveston	10/18/2022	Online	Online, consumer		United States	POS	N/A	\$0.00	\$0.00	http://1073kissfm.com/win-a-fun-family-holiday-weekend-package-to-moody-gardens-in-galveston	three gigantic pyramids just north of the Gulf Of Mexico in Galveston will never be transformed into one gigantic holiday display that will	
American Travel Blogger	The Most Exciting Texas Cities Every Thrill-Seeker Will Love	10/18/2022	Online	Blog, consumer	National	United States	POS	466	\$0.11	\$0.11	http://americantravellinger.com/the-most-exciting-texas-cities-every-thrill-seeker-will-love/	But, there is so much more to Texas than that! For instance, there is a beach in the city of Galveston. This is definitely one of the most	
Delicious Food	Win a Family Weekend Package at Moody Gardens	10/18/2022	Online	Online, consumer		United States	POS	N/A	\$0.00	\$0.00	http://deliciousfood.com/win-a-family-weekend-package-at-moody-gardens/	Win a Family Weekend Package at Moody Gardens Publisher Center October 18, 2022 Local cuisine No Comments ADVERTISEMENT The three giant	
HAPPENINGNEXT	AI's Paranormal Tour	10/18/2022	Online	Online, consumer		United States	POS	N/A	\$0.00	\$0.00	http://happeningnext.com/event/ai-paranormal-tour-ed4nsmj0u1	AI's Paranormal Tour happening at Green 2hr parking signs at 823 Rosenberg, 860 Rosenberg Street, Galveston, United States on Sun Oct 23 2022 at	
Houston Press	Best Of Houston* 2022: Best Beach	10/18/2022	Online	Online, consumer	Houston, TX	Yes	United States	POS	135,226	\$31.30	\$31.30	http://houstonpress.com/news/2790639786651/win-a-fun-family-holiday-weekend-package-to-moody-gardens-in-galveston	Best Beach: Galveston Beach at the Seawall Texas beaches are some of the most unique and interesting in the world. Most aren't the
News Break	Win A Fun Family Holiday Weekend Package To Moody Gardens in Galveston	10/18/2022	Online	Online, consumer		United States	POS	1,892,000	\$435.16	\$435.16	http://newsbreak.com/news/2790639786651/win-a-fun-family-holiday-weekend-package-to-moody-gardens-in-galveston	Win A Fun Family Holiday Weekend Package To Moody Gardens in Galveston! Lucky Larry 107.3 KISS FM 7 hours ago Read full article on original website	
Reallist	A Local's Guide to 15 Beautiful Places in Houston	10/18/2022	Online	Online, consumer		United States	POS	N/A	\$0.00	\$0.00	http://reallist.com/2022/10/18/a-local-s-guide-to-15-beautiful-places-in-houston/	That this preserve is a local favorite. Beautiful Places in the Galveston neighborhood Are you looking for a getaway that feels like you're in a tropical paradise? Then the Galveston neighborhood is worth considering. Just an hour southeast of	
Redfin Blog	A Local's Guide to 15 Beautiful Places in Houston	10/18/2022	Online	Blog, consumer	National	United States	POS	9,045,285	\$2,000.42	\$2,000.42	http://redfin.com/blog/beautiful-places-in-houston/	out shows or get on fun rides, there's always Kemah Boardwalk, 3 Tremont House - Galveston 2300 3th Electronic Ave S Galveston, TX	
Family Destinations Guide	50 Best Weekend Getaways in Texas (2021)	10/19/2022	Online	Online, consumer		United States	POS	N/A	\$0.00	\$0.00	http://familydestinationsguide.com/best-weekend-getaways-in-texas/	East Beach, which are both part of Galveston Island State Park. The Galveston Island Historic Pleasure Pier offers traditional amusement rides	
Barrett-Jackson News	AFTER AUCTION ADVENTURES: Sunday Drives And Points of Interest	10/20/2022	Online	Online, consumer		United States	POS	N/A	\$0.00	\$0.00	http://barrett-jackson.com/Media/Home/Reader/after-auction-adventures-sunday-drives-and-points-of-interest/	the event is an informative and inspirational celebration that includes music, dance and celebrity appearances involving youth committed to	
Chron	Korean Festival and Galveston Oktoberfest top family fun picks	10/20/2022	Online	Online, consumer	Houston, TX	Yes	United States	POS	11,410,000	\$13,121.50	http://preview.houstonchronicle.com/families/korean-festival-and-galveston-oktoberfest-top-17519240/	Halloween in the Hangar Lone Star Flight Museum's annual Halloween celebration, returns as the hangar is transformed into a spooky space ready for a family-friendly, albeit good Details Captained A6M tennis team. Spent \$60 million	
Houston Chronicle	Korean Festival and Galveston Oktoberfest top family fun picks	10/20/2022	Print	Newspaper	Houston, TX	Yes	United States	POS	164,716	\$17,298.50	N/A		renovating Galveston's Strand historic district. Revived city's Strand Great festival, closed
Houstonian News	The Texas 100 - Texas Monthly	10/20/2022	Online	Online, consumer		United States	POS	N/A	\$0.00	\$0.00	http://houstonian.news/the-texas-100-texas-monthly/	Houses in Houston: Where to get the best Halloween scare Galveston Oktoberfest Head to historic downtown Galveston for the 40th Annual	
KRVV-TV Online	Houston events this weekend: Astros ALC3 watch party, festivals & more!	10/20/2022	Online	Online, consumer	Houston, TX	Yes	United States	POS	122,913	\$28.27	http://fox2houston.com/news/things-to-do-events-houston-this-weekend-october-21-23	reviews both traditional and more modern dishes. Your Christmas vacation in San Juan will truly be one to remember. 12. Galveston Island	
Industry Update	15 Best Places to Visit in the US in December 2022	10/21/2022	Online	Online, consumer		United States	POS	N/A	\$0.00	\$0.00	http://industryupdate.com/15-best-places-to-visit-in-the-us-in-december-2022-1675150/	to be bigger and the best if you like to surf, right now you have to travel at least 250 miles to Galveston to catch some waves in the Gulf Of	
KFDX 95.5	In 2023 You Can Catch Big Waves in Austin At A New Surf Park	10/21/2022	Online	Online, consumer	Tyler-Longview (Lufkin & Nacogoches), TX	United States	POS	956	\$0.22	\$0.22	http://kfdx.com/in-2023-you-can-catch-big-waves-in-austin-at-a-new-surf-park/	to be bigger and the best if you like to surf, right now you have to travel at least 250 miles to Galveston to catch some waves in the Gulf Of	
Traveling Lifestyle	15 Best Places to Visit in the U.S. in December 2022	10/21/2022	Online	Online, consumer		United States	POS	25,605	\$0.00	\$0.00	http://travelinglifestyle.net/best-places-to-visit-in-december/	Christmas vacation in San Juan will be truly memorable. 12. Galveston Island	
HAPPENINGNEXT	All Access Tours of the 1895 Moody Mansion	10/22/2022	Online	Online, consumer		United States	POS	N/A	\$0.00	\$0.00	http://happeningnext.com/event/all-access-tours-of-the-1895-moody-mansion-ed4nsmj0u1	Halloween Galveston, TX Advertisement HISTORIC TOURS OF ONE OF GALVESTON'S FAVORITE HISTORIC HOMES About this Event Tour Area of Moody	
HAPPENINGNEXT	DI Daddy O - Saturday for BOI weekends	10/22/2022	Online	Online, consumer		United States	POS	N/A	\$0.00	\$0.00	http://happeningnext.com/event/di-daddy-o-saturday-for-boi-weekends-ed4nsmj0u1	DI Daddy O - Saturday for BOI weekends happening at Beach Burns Bar - Galveston, 1828 The Strand, Galveston, United States on Sat Oct 22 2022 at	
Mix 97.9 FM	In 2023 You Can Catch Big Waves in Austin At A New Surf Park	10/23/2022	Online	Online, consumer		United States	POS	1,032	\$0.24	\$0.24	http://mix979fm.com/in-2023-you-can-catch-big-waves-in-austin-at-a-new-surf-park/	to be bigger and the best if you like to surf, right now you have to travel at least 250 miles to Galveston to catch some waves in the Gulf Of	
HAPPENINGNEXT	Arts & Ideas presents All Hallows Eve at First Presbyterian	10/24/2022	Online	Online, consumer		United States	POS	N/A	\$0.00	\$0.00	http://happeningnext.com/event/arts-and-ideas-presents-all-hallows-eve-at-first-presbyterian-ed4nsmj0u1	Arts & Ideas presents All Hallows Eve at First Presbyterian Galveston, TX Advertisement Join us for a night of fun and merriment as Galveston will perfect any weekend this. Courtesy of Visit Galveston. Galveston Island is a perfect beach spot with more than just a beach. If	
Texas Lifestyle Magazine	One-Tank Day Trips Near Some of Texas' Major Cities	10/24/2022	Online	Online, consumer		United States	POS	2,723	\$0.63	\$0.63	http://texaslifestylemag.com/living-texas/one-tank-day-trips-near-some-of-texas-major-cities/	to be bigger and the best if you like to surf, right now you have to travel at least 250 miles to Galveston to catch some waves in the Gulf Of	
107.3 KISS FM Texas	In 2023 You Can Catch Big Waves in Austin At A New Surf Park	10/25/2022	Online	Online, consumer		United States	POS	N/A	\$0.00	\$0.00	http://1073kissfm.com/in-2023-you-can-catch-big-waves-in-austin-at-a-new-surf-park/	to be bigger and the best if you like to surf, right now you have to travel at least 250 miles to Galveston to catch some waves in the Gulf Of	

WFAA-TV Online	Spend your holiday at Moody Gardens	10/26/2022	Online	Online, consumer	Dallas-Fort Worth, TX		United States	POS	707,282	\$569.34	http://wfaa.com/article/entertainment/television/program/good-morning-texas/spend-your-holiday-at-moody-gardens/281-1125971-a-1264-4638-4638-507383170566	Moody Gardens. If you're looking to get away this holiday season, Moody Gardens is waiting for you to book your stay! It's just a short drive
Go World Travel Magazine	Day Trips to Discover the Best of Galveston, Texas	10/27/2022	Online	Online, consumer	National		United States	POS	5,280	\$1.21	http://goworldtravel.com/day-trips-to-discover-the-best-of-galveston-texas/	Galveston, Texas is an island city known for its beaches, outdoor activities and fun restaurants Go World Travel is reader-supported and may earn
Pride Journeys	Winter Wonderland: Galveston, Texas	10/27/2022	Online	Blog, consumer	National		United States	POS	152	\$0.04	http://pridejourneys.com/post/winter-wonderland-galveston-texas	There's no shortage of holiday destinations in Texas, but historic Galveston Island is the only one where you can experience tropical weather and a
Amusement Today Online	Rapid progress as ice carvers have 22 days left to create ice land at Moody gardens	10/28/2022	Online	Online, trade/industry	Dallas-Fort Worth, TX		United States	POS	3,548	\$0.82	http://amusementtoday.com/2022/10/rapid-progress-as-ice-carvers-have-22-days-left-to-create-ice-land-at-moody-gardens/	GALVESTON, Texas - Christmas wishes have been granted early as Moody Gardens announced the return of the highly popular ice land attraction for the
Houston Chronicle	Concerts	10/28/2022	Print	Newspaper	Houston, TX	Yes	United States	POS	141,938	\$75,120.50	N/A	Center Orchestra with Wynton Marsalis: Jazz, 8 p.m. at the Grand 1894 Opera House, 2020 Postoffice, Galveston, 409-255-1894. The Legendary Pink
Visit Houston Texas	Galveston Houston's Nearby Towns & Cities	10/28/2022	Online	Online, consumer				POS	N/A	\$0.00	http://visithoustontexas.com/about-houston/near-by-towns-and-cities/galveston/	adrenaline rush of a boat ride that takes passengers four miles into Galveston Bay at speeds up to 40 mph. Just 20 miles from downtown Houston,
HAPPENINGNEXT	All's Paranormal Tour	10/29/2022	Online	Online, consumer			United States	POS	N/A	\$0.00	http://happeningnext.com/event/all-paranormal-tour-ed46004n0n1	All's Paranormal Tour happening at Green 2hr parking signs at 823 Rosenberg, 860 Rosenberg Street, Galveston, United States on Tue Nov 01, 2022 at
HAPPENINGNEXT	Fall Fest 2022	10/29/2022	Online	Online, consumer			United States	POS	N/A	\$0.00	http://happeningnext.com/event/fall-fest-2022-ed3a004wpc0e	Galveston Campus of Texas A&M University welcomes the families of the Galveston community back to our campus for a night of free, safe Halloween
HAPPENINGNEXT	All Access Tours of the 1895 Moody Mansion	10/30/2022	Online	Online, consumer			United States	POS	N/A	\$0.00	http://happeningnext.com/event/all-access-tours-of-the-1895-moody-mansion-ed46004n0n1	Mansion Galveston, TX Advertisement DOCENTED TOURS OF ONE OF GALVESTON'S FAVORITE HISTORIC HOMES About this Event Tour areas of Moody
News Break	Watch live: ice sculptures in-progress at Moody Gardens in Galveston	10/31/2022	Online	Online, consumer			United States	POS	1,892,200	\$415.14	http://newsbreak.com/news/280602223820/watch-live-ice-sculptures-in-progress-at-moody-gardens-in-galveston	Watch live: ice sculptures in-progress at Moody Gardens in Galveston! Click Houston.com 1 hour ago Read full article on original website
277715									65,479,373	\$152,009.14		

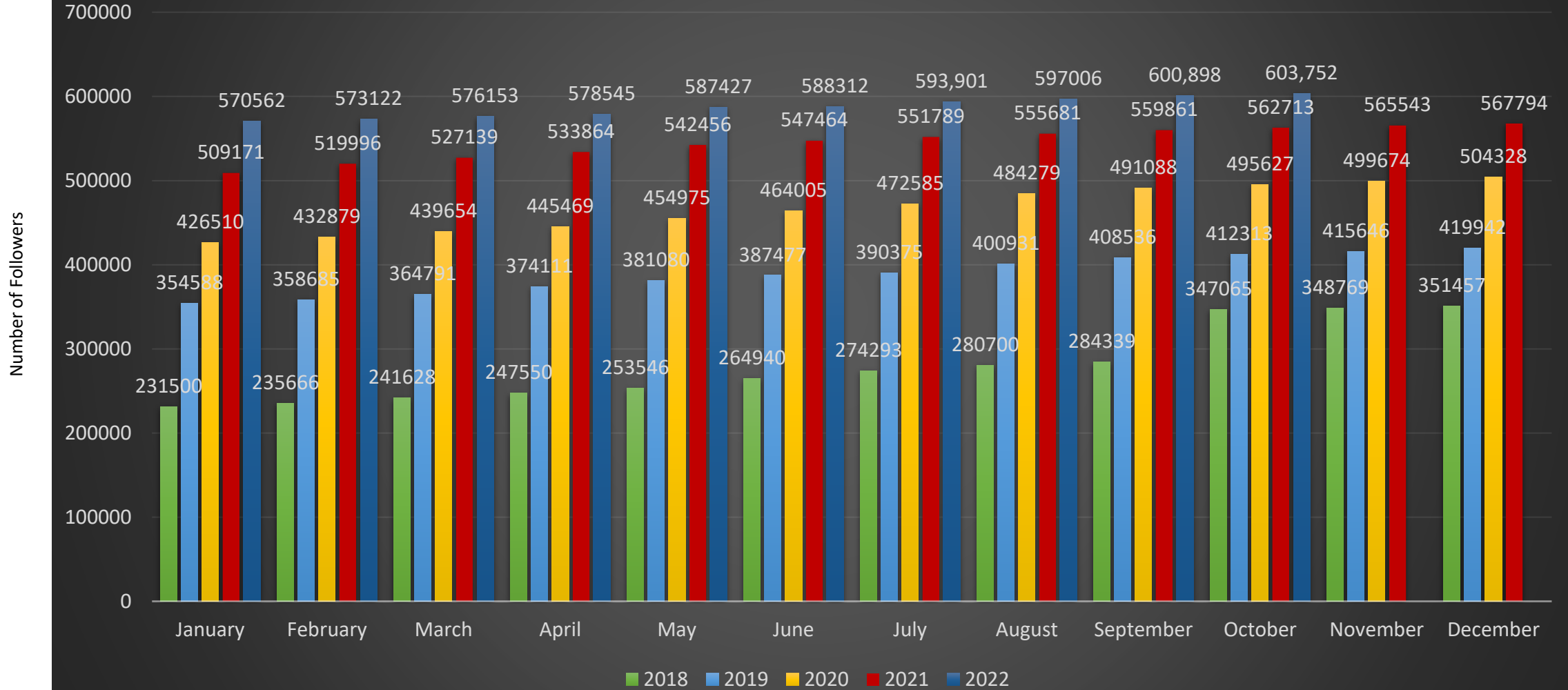
2022 CROSS-NETWORK PERFORMANCE

Profile ↕	Audience ↕	Net Audience Growth ↕	Published Posts ↕	Impressions ↕	Engagements ↕	Engagement Rate (per Impression) ↕	Video Views ↕
Reporting Period Oct 1, 2022 – Oct 31, 2022	603,752 ↗ 0.5%	3,019 ↘ 22.4%	223 ↘ 3.9%	9,600,235 ↘ 23.9%	819,509 ↘ 32.2%	8.5% ↘ 10.9%	1,222,721 ↘ 43.7%
Compare to Sep 1, 2022 – Sep 30, 2022	600,898	3,891	232	12,608,689	1,208,608	9.6%	2,172,646
 @GalvestonIsland	21,002	-42	1	1,789	118	6.6%	0
 Galveston Island	474,607	2,852	149	8,585,985	756,890	8.8%	643,865
 galvestonisland	108,143	209	73	1,012,461	62,501	6.2%	578,856

2021 CROSS-NETWORK PERFORMANCE

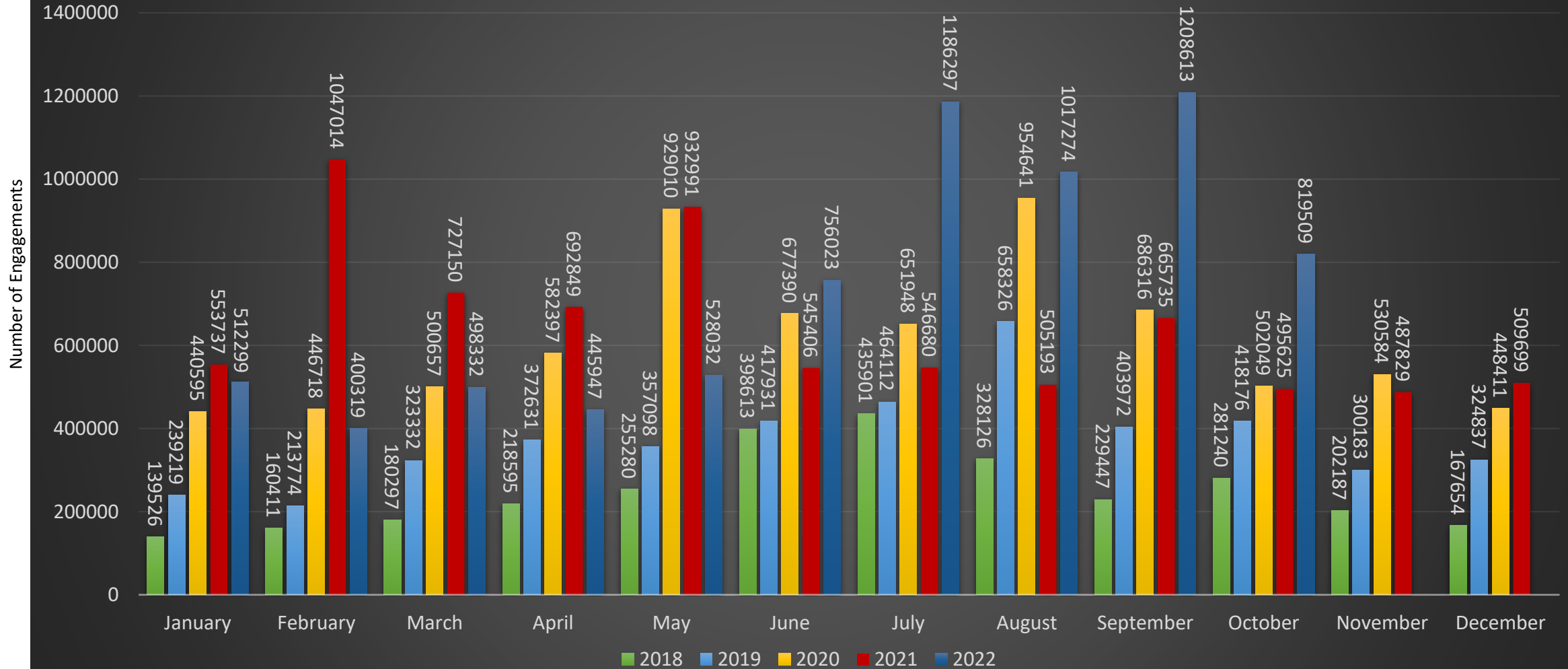
Profile ↕	Audience ↕	Net Audience Growth ↕	Published Posts ↕	Impressions ↕	Engagements ↕	Engagement Rate (per Impression) ↕	Video Views ↕
Reporting Period Oct 1, 2021 – Oct 31, 2021	562,715 ↗ 0.5%	2,201 ↘ 48.4%	227 ↘ 17.2%	8,004,352 ↘ 23%	495,625 ↘ 25.6%	6.2% ↘ 3.3%	506,066 ↘ 28%
Compare to Sep 1, 2021 – Sep 30, 2021	559,854	4,263	274	10,396,393	665,806	6.4%	702,759
 @GalvestonIsland	20,625	24	3	17,106	149	0.9%	12
 Galveston Island	441,408	1,037	148	6,779,052	432,013	6.4%	440,869
 galvestonisland	100,682	1,140	76	1,208,194	63,463	5.3%	65,185

YOY Social Media Followers Across Platforms



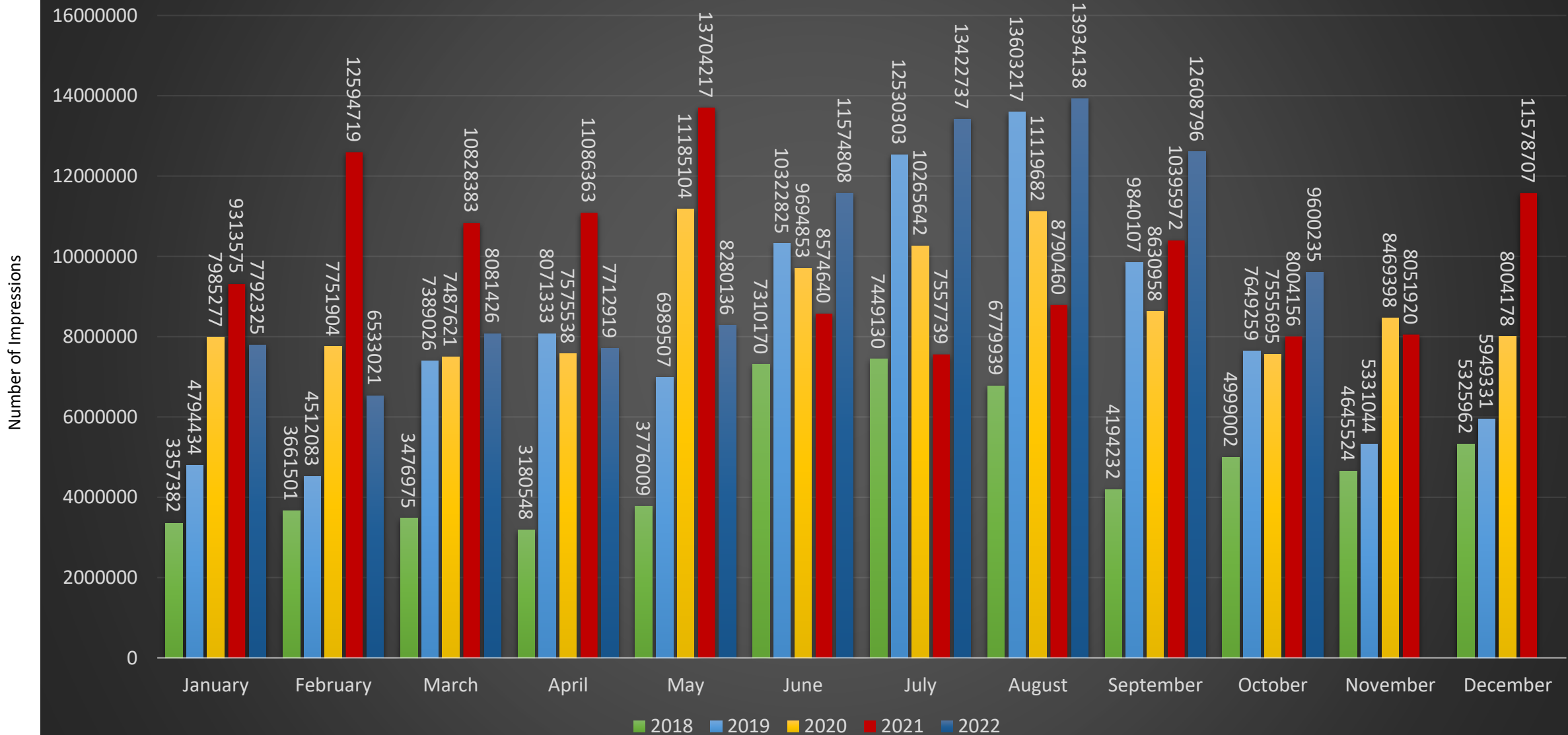
*Data collected from Facebook, Instagram and Twitter

YOY Social Media Engagement Across Platforms



*Data collected from Facebook, Instagram and Twitter

YOY Social Media Impressions Across Platforms



*Data collected from Facebook, Instagram and Twitter

NOVEMBER 2022 EXECUTIVE SUMMARY

VISIT GALVESTON

For November, we produced **23** leads with **11,916** potential room nights. In addition, we had **13** Definite Bookings resulting in **4,912** room nights with an estimated economic impact of **\$3,284,837**. Year to Date Definite Bookings are **11,243** future room nights. The definite business booked year to date has a potential economic impact of approximately **\$6,665,849** for Galveston Island. (Note: This figure is based on Destinations International's Economic Impact Calculator.)

Definites: 13

2022 – 6

2023 – 6

2024 - 1

ACTIVITIES & UPDATES:

- **INDUSTRY MEETINGS/NETWORKING:**
Connect Texas Tradeshow – Ciara
Galveston Chamber C-Crewe Luncheon, Bryan, Tiffany, Haley
TSAE Mega Social – Dottie
Royal Caribbean Terminal Ribbon Cutting – Tiffany, Haley
Good Morning Galveston - Haley
- **SITE VISITS/FAMs:**
Charter School Growth Retreat, 2023, Tiffany
Texas Chemical Council, 2025, Bryan

DESTINATION SERVICES

- **Group Serviced:**
15 events serviced / 4,265 event attendance

DESTINATION EXPERIENCES

- **Visit Galveston App**

	<u>2022-2023</u>	<u>2021-2022</u>	<u>2020-2021</u>
Total Users – 1,098	2,419	17,748	9,536
Total Sessions – 1,302	2,929	21,760	12,936
Pageviews – 5,370	13,002	102,463	63,476
IOS Downloads – 70	178	1,832	1,277
Android Downloads - 20	48	424	407
- **Visitor Information Centers Traffic**

	<u>Last Month</u>	<u>2022-2023</u>	<u>2021-2022</u>	<u>2020-2021</u>
Visitor Information Center	974	2,571	15,045	9,052
VICi	50	150	6,933	0
- **Visitor Guide Distribution**

	<u>Last Month</u>	<u>YTD</u>	<u>2021-2022</u>
Digital Guide Requests:	657	1,330	7,027
Mailed Guide Requests:	2,292	4,899	20,595
Bulk Guide Distribution:	144 Cases	205 Cases	1,631 Cases
- **CTA Program**

New CTA's - 6	YTD: 21	2022-2023: 170
---------------	---------	----------------

ADVERTISEMENTS:

- Digital Billboards in Houston
- OTT, Video Pre-Roll & Streaming commercials in key target markets
- Digital & Native articles in key target markets

- Digital ads on TripAdvisor
- Digital ads on Expedia/VRBO
- Digital ads on Google
- Digital ads with iHeartMedia
- Digital ads and native articles on 365Houston
- Print and digital ads in Houston Family Magazine
- Greater Houston Official Visitors Guide
- Meeting Planners International Print & Digital
- Social Media Ads on Facebook and Instagram
- Texas Meeting Planner Guide
- CVENT Destination Guide
- TSAE Texas Society of Association Executives Magazine

SPECIAL EVENTS:

- Met with promoter about hosting watersports festival Spring 2023.
- Met with promoter about hosting Small Meetings Market Summit tradeshow in 2023.
- Continued discussion with promoter to discuss potential of hosting climate change/awareness festival in Galveston 2023.
- Continued discussion with promoter about hosting large-scale boat/auto show in fall 2023.
- Continued discussion with promoter about hosting beach polo event at East Beach spring 2023

FILM PROJECTS:

- Benjamin Johnson Productions – scouting for short film shoot in December 2022.
- Dwight Henson Films – scouting for feature film shoot early 2023.



November 2022 Overview



	LEADS						DEFINITES						Economic Impact
	2020/2021		2021/2022		2022/2023		2020/2021		2021/2022		2022/2023		
	#	TRN	#	TRN	#	TRN	#	TRN	#	TRN	#	TRN	
October	10	3,554	34	19,015	26	8,196	10	4,170	6	2,876	18	6,331	\$3,381,012.00
November	13	7,179	36	14	23	11,916	6	4,176	44	4,800	13	4,912	\$3,284,837.00
December	16	9,635	33	12,573			9	4,094	18	7,253			
January	28	9,333	36	13,228			8	4,976	22	6,321			
February	14	5,303	39	16,682			9	3,426	13	9,031			
March	39	15,315	39	15,150			18	6,374	17	5,601			
April	23	7,368	36	15,161			7	2,930	17	5,081			
May	20	8,814	47	25,195			14	5,467	16	7,808			
June	31	12,198	44	17,539			13	6,841	14	4,929			
July	30	17,693	25	13,816			7	2,754	6	6,719			
August	27	12,965	43	15,954			6	2,958	15	3,499			
September	40	15,811	38	18,734			33	13,313	12	4,497			
Total	291	125,168	450	183,061	49	20,112	140	61,479	200	68,415	31	11,243	\$6,665,849.00
Goals		135,000		135,000		135,000		61,000		66,000		68,000	
Percentages		92.72%		135.60%		14.90%		100.79%		103.66%		16.53%	



November 2022 Monthly Website Summary

URL	Visits	Users	Time on Site	Pages per visit
2020 visitgalveston.com	52,870	47,276	:39	1.33
2021 visitgalveston.com	125,870	102,620	1:40	1.80
2022 visitgalveston.com	201,420	155,032	1:47	1.82

visitgalveston.com:

- 201,420 sessions of which 148,186 were new users with 367,269 pageviews
- 24,039 (15.5%) desktop sessions, 125,627 (80.99%) mobile sessions and 5,447 (3.51%) tablet sessions
- Most visited pages are 'annual holiday events' at 19,996 visits, 'north galveston webcam' at 13,881, 'webcams' at 13,299, 'homepage' at 12,073, 'dickens on the strand' at 10,306, 'p;or express' at 9,531, 'holiday in the gardens' at 9,016, 'events' at 7,954, 'lone star rally at 7,536, 'downtown webcam' at 6,382, 'things to do' at 6,370, 'harbor webcam' at 6,280, 'holiday blog' at 5,877, 'cruise-lines' at 4,595, 'seawall beach webcam' at 4,581, dellanera rv park' at 5,535, 'babes beach webcam' 4,183, 'visitor guide request' at 3,720, 'beaches' at 3,652, 'ice land' at 3,506, 'where to stay' at 3,349, 'holiday in the gardens' at 2,831, '12 bucket list worthy things to do' at 2,823, 'thanksgiving blog' at 2,197 and 'upcoming events' at 2,111
- Average time on site @ 1:50 seconds

Geographic Overview:

- Texas represents 61.72% or 98,013 visits of all US visitors, followed by Illinois w/ 6,181, Louisiana w/ 5,748, Oklahoma w/ 5,500, Missouri w/ 4,355 visits, Florida w/ 3,920, Wisconsin w/ 3,270, Kansas w/ 2,699, Arkansas w/ 2,563 and Iowa w/ 2,440
- After the US market (97.04% of visitation) Canada represents the most significant visitors @0.71% followed by United Kingdom at .24% and Mexico at .23%
- Visitation by city, Houston represents 17.91% of all visitors, followed by Dallas w/ 11.26% or 18,511, Galveston w/ 3.1% or 5,100, Austin w/ 2.73% or 4,496, San Antonio w/ 1.73% or 2,847, Miami w/ 1.7% or 2,794, Chicago w/ 1.68% or 2,763, Oklahoma City w/ 1.09% or 1,799, League City w/.87% or 1,427, Cypress w/ .85% or 1,392 and Fort Worth w/ .81% or 1,329

PUBLIC RELATIONS

NOVEMBER 2022 END OF MONTH REPORT

MEDIA OUTREACH - MEDIA MISSION

The Galveston PR Team attended a media mission to New York. Travel Texas and its PR firm, MMGY Global, coordinated deskside appointments and a group media event for destination partners.

Partners in attendance include: Port Aransas, Irving, Dallas, San Antonio, Beaumont, Fredericksburg, Austin, Waco, Corpus Christi, Frisco and Lubbock

Media outlets represented include: AFAR, Huffington Post, Reader’s Digest, The New York Times, Lonely Planet, Fodor’s Travel, Forbes, Matador Network, TripSavvy, USA Today 10 Best, Northstar Meetings Group, Travel+Leisure, Texas Monthly, National Geographic Traveler, Meetings Today

MEDIA FAMS

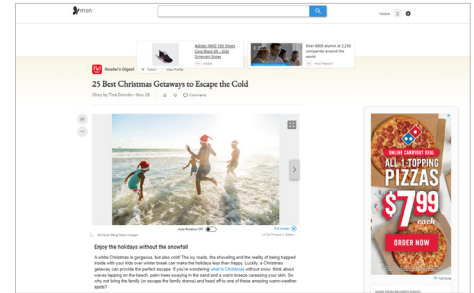
The PR team coordinated FAM tours for Kate Messer (GoGulfCoastStates.com) and Shane McAuliffe (Texas Bucket List)

PRESS RELEASES DISTRIBUTED

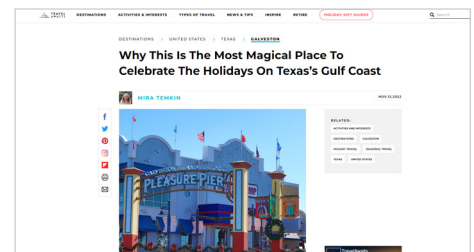
- Galveston Holiday Festivities Kick Off this Weekend
- Dickens on the Strand Takes Place this Weekend

MEDIA REQUESTS

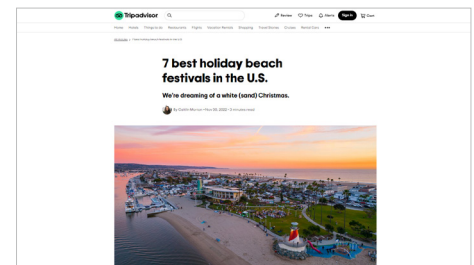
Shane McAuliffe (Texas Bucket List), Vani Rangachar (AAA Explorer), Deborah Hamilton-Lynne (Austin/Galveston freelance), Julie Bielenberg (Colorado freelance), Theresa Russell (Michigan freelance), Mira Temkin (Houston freelance), Tami Brooks (Travel Awaits), Sarah Braley (Northstar Meetings Group), Lori Anderson (AAA Explorer), Anna Watt (Travel Texas UK), Bill Clevlen (Bill on the Road.com), Jose Mendiola (Galveston County Daily News)



MSN Travel included Galveston in this holiday roundup



This writer attended a Visit Galveston FAM tour and filed this story



Dickens on the Strand takes top billing in this Trip Advisor story

YEAR	REACH	AD VALUE EQUIVALENCY
2021	45,451,623	\$117,381.89
2022	217,194,631	\$110,611.35

PUBLIC RELATIONS

NOVEMBER 2022 END OF MONTH REPORT

ADVOCACY

STORY PITCHES

Washed Ashore, short-term rental registration

BOARD MEETING

Developed talking points for the Trustees on board member changes, beach safety, trash collections on 4th of July, lodging insights and island savings pass

CRISIS COMMUNICATION

Monitored news coverage surrounding short term rental registration, Beach Patrol Headquarters, concessionaire disputes and City Council meeting

GALVESTON COUNTY DAILY NEWS

- Coordinated seven stories and three guest columns with the Galveston Daily News including “Galveston Beach Patrol leader makes pitch for new HQ,” “Park board to pitch interlocal agreement to solve Galveston HOT conflict,” and “Galveston Park Board of Trustees get first glimpse at proposed Beach Patrol HQ.”
- Inside the Park Board Column:
 - Beach rebuilding projects will benefit West End residents
 - Washed ashore sculptures coming to Galveston
 - Experience Texas’ Winter Wonder Island in Galveston

CHAMBER OF COMMERCE E-BLASTS

Washed Ashore

PARK BOARD SOCIAL MEDIA

- Park Board Facebook: 11 posts, 13,849 reached
- Park Board LinkedIn: 3 posts, 3,249 impressions

UPCOMING PROJECTS



- Dellanera nourishment project
- Washed Ashore
- Beach Patrol Calendar
- Beach Parks

Outlet	Headline	Date	Medium	Outlet Type	DMA	Houston	Country	Tone	Reach	Publicity Value	Source URL	Text Snippet
HAPPENINGNEXT	All Access Tours of the 1895 Moody Mansion	11/1/2022	Online	Online, consumer			United States	POS	N/A	\$0.00	http://happeningnext.com/event/all-access-tours-of-the-1895-moody-mansion-eid46ndm0b1	Mansion Galveston, TX Advertisement DOCENTED TOURS OF ONE OF GALVESTON'S FAVORITE HISTORIC HOMES ABOUT THIS EVENT TOUR areas of Moody
KPRC-TV Online	Ice sculptures in-progress at Moody Gardens in Galveston	11/1/2022	Online	Online, consumer	Houston, TX	Yes	United States	POS	706,406	\$568.66	http://click2houston.com/features/2022/10/31/watch-live-ice-sculptures-in-progress-at-moody-gardens-in-galveston/	MOODY GARDENS' ICE LAND, FESTIVAL OF LIGHTS OPEN NEXT WEEK AT MOODY GARDENS IN GALVESTON - "Ice Land Cam" is live at Moody Gardens in Houston. You can watch the live cam here as the attraction's ice sculptures work on the
KPRC-TV Online	Start decking all the halls in your heart with this ultimate guide to Houston-area holiday fun	11/1/2022	Online	Online, consumer	Houston, TX	Yes	United States	POS	706,406	\$568.66	http://click2houston.com/features/2022/11/01/joyous-jubilations-start-decking-all-the-halls-in-your-heart-with-this-ultimate-guide-to-houston-area-holiday-fun/	Tickets are available for purchase online (\$18) and at H-E-B (\$20). Polar Express The Galveston Railroad Museum will offer its fourth annual
HAPPENINGNEXT	A's Paranormal Tour	11/2/2022	Online	Online, consumer			United States	POS	N/A	\$0.00	http://happeningnext.com/event/a-s-paranormal-tour-eid46ndm0b1	A's Paranormal Tour happening at Green 2hr parking signs at 823 Rosenberg, 860 Rosenberg Street, Galveston, United States on Tue Nov 08 2022 at
CFOB-FM (The Border 93.1) Online	Top 5 Cities To Visit In Texas That Are Sure To Get You In The Christmas Spirit!	11/3/2022	Online	Online, consumer			Canada	POS	1,752	\$0.40	http://b93.net/top-5-cities-to-visit-in-texas-that-are-sure-to-get-you-in-the-christmas-spirit/	and all things festive! TOP 5 CHRISTMAS CITIES TO VISIT IN TEXAS.5. Galveston 1 hour Christmas spirit abounds along the Texas coast with several
Hand Luggage Only	11 Very Best Beaches in Texas To Visit	11/3/2022	Online	Online, consumer			United States	POS	180,640	\$41.55	http://handluggageonly.co.uk/2022/11/03/11-very-best-beaches-in-texas-to-visit/	Surfside Beach Less than an hour's drive from Houston, Surfside Beach is a totally tranquil spot to visit if you're fancying a getaway from
HAPPENINGNEXT	All Access Tours of the 1895 Moody Mansion	11/3/2022	Online	Online, consumer			United States	POS	N/A	\$0.00	http://happeningnext.com/event/all-access-tours-of-the-1895-moody-mansion-eid46ndm0b1	Mansion Galveston, TX Advertisement DOCENTED TOURS OF ONE OF GALVESTON'S FAVORITE HISTORIC HOMES ABOUT THIS EVENT TOUR areas of Moody
HAPPENINGNEXT	THE POLAR EXPRESS™ Train Ride	11/3/2022	Online	Online, consumer			United States	POS	N/A	\$0.00	http://happeningnext.com/event/the-polar-express-the-polars-express-train-ride-eid3a90m1u5/	THE POLAR EXPRESS™ Train Ride happening at Galveston Railroad Museum, 2602 Santa Fe Pl, Galveston, TX, United States, Galveston, United States on Fri
Lonestar 99.5 FM	Top 5 Cities To Visit In Texas That Are Sure To Get You In The Ch	11/3/2022	Online	Online, consumer			United States	POS	N/A	\$0.00	http://lonestar995fm.com/top-5-cities-to-visit-in-texas-that-are-sure-to-get-you-in-the-christmas-spirit/	and all things festive! TOP 5 CHRISTMAS CITIES TO VISIT IN TEXAS.5. Galveston 1 hour Christmas spirit abounds along the Texas coast with several
Vietnam Explorer	Watch live: Ice sculptures in-progress at Moody Gardens in Galveston	11/4/2022	Online	Online, consumer			United States	POS	204,240	\$0.00	http://vntexplorer.net/watch-live-ice-sculptures-in-progress-at-moody-gardens-in-galveston-5582612.html	ice and since the ice, dressed in full winter wear. Temperatures in Galveston are in the 70s, but they appear ready for a below-zero holiday
Houston On The Cheap	Veterans Day 2022 Events in Houston - Parades, activities, and more near you	11/5/2022	Online	Blog, consumer	National		United States	POS	20,660	\$4.75	http://houstononthecheap.com/veterans-day-2022-events-in-houston-parades-celebrations-near-me	Tour - 2 adults for just \$66.67 Catch the sunset at the Port of Galveston during this guided Segway tour along the city's seawall, enjoying
Only in Your State	11 Christmas Traditions You'll Only Understand if You're From Texas	11/5/2022	Online	Online, consumer			United States	POS	2,141,175	\$492.47	http://onlyinyourstate.com/texas/christmas-traditions-tx/	There are towns big and small that will help you get into the holiday spirit, even if there isn't a winter wonderland outside your door.
Vietnam Explorer	Joyous jubilations: Start decking all the halls in your heart with this ultimate guide to Houston-area holiday fun	11/5/2022	Online	Online, consumer			United States	POS	204,240	\$0.00	http://vntexplorer.net/joyous-jubilations-start-decking-all-the-halls-in-your-heart-with-this-ultimate-guide-to-houston-area-holiday-fun-5603685.html	Tickets are available for purchase online (\$18) and at H-E-B (\$20). Polar Express The Galveston Railroad Museum will offer its fourth annual
Business News Press	11 Very Easiest Seashores in Texas To Consult with - Hand Baggage Simplest	11/6/2022	Online	Online, consumer			United States	POS	144	\$0.03	http://businessnewspress.com/2022/11/06/11-very-easiest-seashores-in-texas-to-consult-with-hand-baggage-simplest/	a wholly tranquil spot to seek advice from for those who're fancying a getaway from town. Southwest of Galveston, Surfside Beach has tons of
HAPPENINGNEXT	All Access Tours of the 1895 Moody Mansion	11/6/2022	Online	Online, consumer			United States	POS	N/A	\$0.00	http://happeningnext.com/event/all-access-tours-of-the-1895-moody-mansion-eid46ndm0b1	Mansion Galveston, TX Advertisement DOCENTED TOURS OF ONE OF GALVESTON'S FAVORITE HISTORIC HOMES ABOUT THIS EVENT TOUR areas of Moody
HAPPENINGNEXT	A's Paranormal Tour	11/6/2022	Online	Online, consumer			United States	POS	N/A	\$0.00	http://happeningnext.com/event/a-s-paranormal-tour-eid46ndm0b1	A's Paranormal Tour happening at Green 2hr parking signs at 823 Rosenberg, 860 Rosenberg Street, Galveston, United States on Fri Nov 18 2022 at
Traveling Lifestyle	16 Best Places To Visit In The U.S. in December 2022	11/6/2022	Online	Online, consumer			United States	POS	25,605	\$0.00	http://travelinglifestyle.net/best-places-to-visit-us-in-december/	erving both traditional dishes and more modern fare. Your Christmas vacation in San Juan will be truly memorable. 12. Galveston Island,
Trekarzo	These are the Best Resorts for Christmas Vacation in Texas	11/6/2022	Online	Online, consumer	San Francisco-Oakland-San Jose, CA		United States	POS	12,898	\$2.92	http://blog.trekarzo.com/texas-dream-destinations-for-families-holiday-edition/	body scrub, and top the day off with a Rudolphini. 4. Christmas at Moody Gardens Hotel in Galveston Festival of Lights at Moody Gardens
Global Traveler Online	Yrbo's Top 10 Snowbird Destinations	11/8/2022	Online	Online, consumer	Philadelphia, PA		United States	POS	4,479	\$0.96	http://globaltravellerusa.com/yrbos-top-10-snowbird-destinations/	directly on the lake, offering plenty of lake-centered activities. Galveston, Texas For guests looking for both character and comfort, th
Mix 97.9 FM	Check Out This Underwater Christmas Adventure At This Texas Resort	11/8/2022	Online	Online, consumer			United States	POS	1,012	\$0.23	http://mix979fm.com/wp/522p/check-out-this-underwater-christmas-adventure-at-this-texas-resort/	they were no longer able to operate normally. Moody Gardens in Galveston was one of those places where so much had to change and they had to
CFOB-FM (The Border 93.1) Online	Check Out This Underwater Christmas Adventure At This Texas Resort	11/9/2022	Online	Online, consumer			Canada	POS	1,752	\$0.40	http://b93.net/wp/522p/check-out-this-underwater-christmas-adventure-at-this-texas-resort/	for many businesses, they were no longer able to operate normally. Moody Gardens in Galveston was one of those places where so much had to change
Daily Advent	The 13 Cheeriest Christmas Markets Across Texas	11/9/2022	Online	Online, consumer			United States	POS	414,414	\$95.32	http://dailyadvent.com/news/00a370d47616185b748179b4b2e7d7e-13-Cheeriest-Christmas-Markets-Across-Texas	happening this season. Dickens on the
KLAQ-FM Online	Check Out This Underwater Christmas Adventure At This Texas Resor	11/9/2022	Online	Online, consumer	El Paso, TX		United States	POS	23,979	\$5.52	http://klaq.com/check-out-this-underwater-christmas-adventure-at-this-texas-resort/	for many businesses, they were no longer able to operate normally. Moody Gardens in Galveston was one of those places where so much had to change
Lonestar 99.5 FM	Check Out This Underwater Christmas Adventure At This Texas Resor	11/9/2022	Online	Online, consumer			United States	POS	N/A	\$0.00	http://lonestar995fm.com/check-out-this-underwater-christmas-adventure-at-this-texas-resort/	Gardens in Galveston was one of those places where so much had to change and they had to
MSN Travel	25 Best Christmas Getaways to Escape the Cold	11/9/2022	Online	Online, consumer			United States	POS	67,453,457	\$15,448.88	http://msn.com/en-us/travel/tripideas/25-best-christmas-getaways-to-escape-the-cold-ys-AAG6z7f8B8tE/	vibe. Adults can stay at the reasonably priced Little Paradise Hotel for modern accommodations set around a heated saltwater pool. The rooms
The Travel	10 Best Boardwalks in America, Ranked by Fun-Factor	11/9/2022	Online	Online, consumer			Canada	POS	196,072	\$44.88	http://thetravel.com/most-fun-boardwalks-in-america/	and thrilling rides. Visitors can scare themselves silly at Ripley's Haunted Adventure or capture panoramic views of Myrtle Beach while being
Ground News	The 13 Cheeriest Christmas Markets Across Texas	11/10/2022	Online	Online, consumer			Canada	POS	N/A	\$0.00	http://groundnews.com/article/the-13-cheeriest-christmas-markets-across-texas_e34f60	across the state, you'll find some version of a craft show, bazaar, or festival. Here are thirteen of the best markets to shop this season. 6.
Hello Landing	A Local's Guide to the Best Outdoor Activities in Houston	11/10/2022	Online	Online, consumer			United States	POS	N/A	\$0.00	http://helloland.com/blog/a-local-s-guide-to-the-14-best-outdoor-activities-in-houston/	parks scattered throughout the city and suburbs. 8. Take a weekend beach trip to Galveston Visiting Galveston, Texas, is a popular summer
Southern Travel	Holiday Spirit - Southern Travel + Lifestyles	11/10/2022	Online	Online, consumer			United States	POS	500	\$0.12	http://southerntravelusa.com/home/holidayspirit	shopping and delectable din-ing options for a holiday getaway. Galveston, Texas Who says the holidays have to be chilly? The 32 miles of
Visit Houston Texas	Galveston Houston's Nearby Towns & Cities	11/10/2022	Online	Online, consumer			United States	POS	N/A	\$0.00	http://visithouston.com/about-houston/nearby-towns-and-cities/galveston/	Exhibition: Pearl Fincher Museum of Fine Arts", "Hostname": "The Linda Mayfield
KHOU-TV Online	Caribbean Christmas: ICE LAND, Festival of Lights open next week at Moody Gardens in Galveston	11/11/2022	Online	Online, consumer	Houston, TX	Yes	United States	POS	582,169	\$468.60	http://newsbreak.com/news/2801235274796/caribbean-christmas-ice-land-festival-of-lights-open-next-week-at-moody-gardens-in-galveston	Caribbean Christmas: ICE LAND, Festival of Lights open next week at Moody Gardens in Galveston
News Break	Caribbean Christmas: ICE LAND, Festival of Lights open next week at Moody Gardens in Galveston	11/11/2022	Online	Online, consumer			United States	POS	1,892,000	\$435.16	http://newsbreak.com/news/2801235274796/caribbean-christmas-ice-land-festival-of-lights-open-next-week-at-moody-gardens-in-galveston	Caribbean Christmas: ICE LAND, Festival of Lights open next week at Moody Gardens in GalvestonKHOU 8 hours ago Read full article on original
She Buys Travel	Best Christmas Lights in Texas and the Southwest US States	11/11/2022	Online	Online, consumer			United States	POS	N/A	\$0.00	http://shebuystravel.com/best-holiday-lights-texas-southwest-us/	nearly Dallas! Check out these free things to do in Dallas with kids. Galveston Festival of Lights features a mile-long trail of more than 100
Vietnam Explorer	Caribbean Christmas: ICE LAND, Festival of Lights open next week at Moody Gardens in Galveston	11/11/2022	Online	Online, consumer			United States	POS	204,240	\$0.00	http://vntexplorer.net/caribbean-christmas-ice-land-festival-of-lights-open-next-week-at-moody-gardens-in-galveston-5732826.html	the popular ICE LAND at Moody Gardens is back this year, along with Festival of lights, the ice rink, Acte side and more! GALVESTON, Texas
WanderWisdom	Galveston, Texas: Historic Strand District, Harbor, and Tourism	11/11/2022	Online	Online, consumer			United States	POS	92,507	\$21.28	http://wanderwisdom.com/travel-destinations/Galveston-Texas-Historic-Strand-District-Harbor-and-Tourism	Enjoy seasonal activities like Mardi Gras in Galveston, or hit the beaches, visit museums and historic houses, eat fresh seafood, take a boat tour
Daily Advent	Best deals on road trip getaways from Houston - Explore 20 weekend destinations in Texas!	11/12/2022	Online	Online, consumer			United States	POS	414,414	\$95.32	http://dailyadvent.com/news/6439480bae1498139472a08fa276de-Best-deals-on-road-trip-getaways-from-Houston-Explore-20-weekend-destinations-in-Texas	What's better than a road trip getaway from Houston - finding the right deals on road trip getaways from Houston! Read on below to find the best
News Break	You'd be hard-pressed to find any Scrooges at this three-day, Charles Dickens-inspired extravaganza	11/12/2022	Online	Online, consumer			United States	POS	1,892,000	\$435.16	http://newsbreak.com/news/2801915021459/you-d-be-hard-pressed-to-find-any-scrooges-at-this-three-day-charles-dickens-inspired-extravaganza	www.bayarecenterstater.com Galveston Historical Foundation - "You'd be hard-pressed to find any Scrooges at this three-day, Charles
TravelAwaits	Why This Is The Most Magical Place To Celebrate The Holidays On Texas's Gulf Coast	11/12/2022	Online	Online, consumer			United States	POS	401,996	\$92.46	http://traveltwaits.com/2827528/best-things-to-do-galveston-during-the-holidays/	mother and holding a golden ticket for the Polar Express!Photo credit: Galveston Railroad Museum 10. The Polar Express Train Ride The Galveston Railroad
Vietnam Explorer	Best bets for your Houston weekend: Mind-bogglingly massive holiday markets, dazzling light displays and more	11/12/2022	Online	Online, consumer			United States	POS	204,240	\$0.00	http://vntexplorer.net/best-bets-for-your-houston-weekend-mind-bogglingly-massive-holiday-markets-dazzling-light-displays-and-more-575471.html	Festive family fun experiences are returning this weekend: The Galveston Railroad Museum will offer its fourth annual Polar Express train ride.
HAPPENINGNEXT	All Access Tours of the 1895 Moody Mansion	11/13/2022	Online	Online, consumer			United States	POS	N/A	\$0.00	http://happeningnext.com/event/all-access-tours-of-the-1895-moody-mansion-eid46ndm0b1	Mansion Galveston, TX Advertisement DOCENTED TOURS OF ONE OF GALVESTON'S FAVORITE HISTORIC HOMES ABOUT THIS EVENT TOUR areas of Moody
HAPPENINGNEXT	Opening Day Celebration - Holiday in the Gardens 2022	11/13/2022	Online	Online, consumer			United States	POS	N/A	\$0.00	http://happeningnext.com/event/opening-day-celebration-holiday-in-the-gardens-2022-eid3a90m1u5/	Paranormal Tour happening at Green 2hr parking signs at 823 Rosenberg, 860 Rosenberg Street, Galveston, United States on Sat Nov 12 2022 at 04:00
Hello Landing	A Local's Guide to the Best Outdoor Activities in Houston	11/13/2022	Online	Online, consumer			United States	POS	N/A	\$0.00	http://helloland.com/blog/a-local-s-guide-to-the-14-best-outdoor-activities-in-houston/	Opening Day Celebration - Holiday in the Gardens 2022 happening at Moody Gardens, 1 Hope Blvd, Galveston, United States on Sat Nov 12 2022 at 04:00
News Break	Caribbean Christmas: ICE LAND, Festival of Lights open next week at Moody Gardens in Galveston	11/13/2022	Online	Online, consumer			United States	POS	1,892,000	\$435.16	http://newsbreak.com/news/2801235274796/caribbean-christmas-ice-land-festival-of-lights-open-next-week-at-moody-gardens-in-galveston	Paranormal Tour happening at Green 2hr parking signs at 823 Rosenberg, 860 Rosenberg Street, Galveston, United States on Sat Nov 12 2022 at 04:00
Reader's Digest Online	25 Best Christmas Getaways to Escape the Cold	11/13/2022	Online	Online, consumer			United States	POS	2,454,208	\$2,833.84	http://rd.com/lists/best-destinations-for-a-warm-christmas-galveston-during-the-holidays/	Opening Day Celebration - Holiday in the Gardens 2022 happening at Moody Gardens, 1 Hope Blvd, Galveston, United States on Sat Nov 12 2022 at 04:00
Success News	13 Wonderful Experiences in Galveston Throughout The Holidays	11/13/2022	Online	Online, consumer			United States	POS	N/A	\$0.00	http://successnews.online/travel/13-amazing-experiences-in-galveston-during-the-holidays/	Paranormal Tour happening at Green 2hr parking signs at 823 Rosenberg, 860 Rosenberg Street, Galveston, United States on Sat Nov 12 2022 at 04:00
The EdgeGate	17 Best Beaches in Galveston, TX	11/14/2022	Online	Online, consumer	Richmond-Petersburg, VA		United States	POS	76,394	\$17.55	http://theadegate.org/17-best-beaches-in-galveston-tx/	what do you think? Here, we'll show you the most incredible beaches in Galveston, Texas, so you can start planning a relaxing vacation on the
WanderWisdom	Galveston, Texas: Importance of Fisheries, Marshes, and Estuaries	11/14/2022	Online	Online, consumer			United States	POS	92,507	\$21.28	http://wanderwisdom.com/travel-destinations/Galveston-Texas-Importance-of-Fisheries-Marshes-and-Estuaries	Come along for a scenic tour of Galveston complete with pictures and YouTube videos. This article will give you yet another look at what makes this
Brewminate	7 Most Affordable Places to Live in Texas	11/15/2022	Online	Online, consumer			United States	POS	N/A	\$0.00	http://brewminate.com/7-most-affordable-places-to-live-in-texas/	lower than the national average, and the city has a low crime rate. Galveston is known for its beaches, fishing, and tourist attractions. The
Global Traveler Online	FX Express Publications, Inc. Honors the Winners of the 2022 Leisure Lifestyle and Wherever Awards	11/15/2022	Online	Online, consumer	Philadelphia, PA		United States	POS	4,379	\$0.96	http://globaltravellerusa.com/fxexpress-publications-inc-honors-the-winners-of-the-2022-leisure-lifestyle-and-wherever-awards/	Gulf Coast, United States Daughn Island, Alabama Best Family-Friendly Beach Town, Texas Galveston, Texas Best Family-Friendly Beach Towns,
Hello Landing	A Local's Guide to the Best Outdoor Activities in Houston	11/15/2022	Online	Online, consumer			United States	POS	N/A	\$0.00	http://helloland.com/blog/a-local-s-guide-to-the-14-best-outdoor-activities-in-houston/	parks scattered throughout the city and suburbs. 8. Take a weekend beach trip to Galveston Visiting Galveston, Texas, is a popular summer

KEYE-TV Online	Festive Fun Show: 'Holiday in the Gardens' at Moody Gardens Galveston	11/15/2022	Online	Online, consumer	Austin, TX	United States	POS	247,973	\$114.07	http://cbsaustin.com/features/we-are-austin/festive-fun-show-holiday-in-the-gardens-at-moody-gardens-galveston	This subtropical island destination transforms into a winter wonderland during the holiday season from "Ice Land to Festival of Lights, an 80-acre holiday celebration at Moody Gardens Galveston.	
tsnohoustonme	2022 Houston Holiday Guide	11/16/2022	Online	Online, consumer		United States	POS	N/A	\$0.00	http://tsnohoustonme.com/2022/11/16/houston-holiday-guide-2022/	ticket prices vary. Pay attention to day closures too. MOODY GARDENS FESTIVAL OF LIGHTS. Head south to Galveston for a beachy holiday lights. TX On the gulf and just an hour from Houston is where you'll find Galveston. Visitors enjoy shopping in the Strand Historic District and of	
K105.7 Online	This North Carolina Landmark Is A Top Outdoor U.S. Destination	11/16/2022	Online	Online, consumer		United States	POS	3,486	\$0.80	http://k105.com/2022/11/16/this-north-carolina-landmark-is-a-top-outdoor-u-s-destination/	to join the "Peanut" gang for an evening of Christmas carols at Galveston's Grand 1894 Opera House. Read on for more ways to seize the season	
News Reportale	Best bets for your Houston weekend: Dazzling light displays, electrifying stage spectacles and more	11/16/2022	Online	Online, consumer		United States	POS	N/A	\$0.00	http://newsreportale.com/doc?id=704743214	to join the "Peanut" gang for an evening of Christmas carols at Galveston's Grand 1894 Opera House. Read on for more ways to seize the season	
Ordinary Traveler	18 Best Weekend Getaways in Texas in 2023	11/16/2022	Online	Blog, consumer	National	United States	POS	15,618	\$3.59	http://ordinarytraveler.com/best-texas-weekend-getaways	taking in the ocean air. For something different, the USS Lexington Museum and learn more about the naval aircraft carrier. Galveston Table	
TripAdvisor	7 best holiday beach festivals in the U.S.	11/16/2022	Online	Social Networking Site	Boston, MA	United States	POS	22,191,177	\$5,103.92	http://tripadvisor.com/Articles/14a8c1d1Ndcj-Best-holiday-beach-festivals-in-the-us.html	ice skating rinks next to the Pacific, here are some of the best holiday beach festivals around the country. Dickens on the Strand in Galveston.	
V101.9 WBVA	This North Carolina Landmark Is A Top Outdoor U.S. Destination	11/16/2022	Online	Online, consumer		United States	POS	2,360	\$0.54	http://v1019.com/2022/11/16/this-north-carolina-landmark-is-a-top-outdoor-u-s-destination/	TX On the gulf and just an hour from Houston is where you'll find Galveston. Visitors enjoy shopping in the Strand Historic District and of	
MSN Travel	25 Inexpensive U.S. Beach Getaways to Escape Winter	11/17/2022	Online	Online, consumer		United States	POS	67,151,557	\$15,444.88	http://mnn.com/en-us/travel/tripideas/25-inexpensive-us-beach-getaways-to-escape-winter/war-AA14eudt	cabins in the park from \$99 to \$158 a night for a memorable winter beach getaways. Spend your days relaxing on 5 miles of beaches, fish, kayak, or	
News Break	Can you spot the coyote?	11/17/2022	Online	Online, consumer		United States	POS	1,892,000	\$435.16	http://newsbreak.com/news/287717268394/can-you-spot-the-coyote	to check out our previous article for another can't-miss holiday attraction in Galveston. Address: Galveston Railroad Museum, 2602 Santa Fe Pl.	
Only in Your State	Ride Through One Of Texas' Most Charming Christmas Towns On This Magical Polar Express Train	11/17/2022	Online	Online, consumer		United States	POS	2,144,175	\$492.47	http://onlyinyourstate.com/texas/magical-christmas-train-tv	taking in the ocean air. For something different, the USS Lexington Museum and learn more about the naval aircraft carrier. Galveston Table	
Ordinary Traveler	18 Best Weekend Getaways in Texas in 2023	11/17/2022	Online	Blog, consumer	National	United States	POS	15,618	\$3.59	http://ordinarytraveler.com/best-texas-weekend-getaways	taking in the ocean air. For something different, the USS Lexington Museum and learn more about the naval aircraft carrier. Galveston Table	
Taking the Kids	Holiday Lights: Our guide to the best and brightest	11/17/2022	Online	Online, consumer	National	United States	POS	2,439	\$0.40	http://takingthekids.com/holiday-lights-our-guide-to-the-best-and-brightest/	ice skating rinks next to the Pacific, here are some of the best holiday beach festivals around the country. Dickens on the Strand in Galveston.	
TripAdvisor	7 best holiday beach festivals in the U.S. - TripAdvisor	11/17/2022	Online	Online, consumer		United States	POS	N/A	\$0.00	http://tripadvisor.com/Articles/14a8c1d1Ndcj-Best-holiday-beach-festivals-in-the-us.html	according to the website. The group will also make stops in Galveston. Nov 19, Lufkin on Dec. 12, and Dallas on Dec. 13. Tickets can be	
Beaumont Enterprise Online	A Charlie Brown Christmas: Live On Stage' coming to Beaumont this holiday season	11/18/2022	Online	Online, consumer	Beaumont-Port Arthur, TX	United States	POS	67,053	\$31.26	http://beaumontenterprise.com/news/article/A-Charlie-Brown-Christmas-Texas-1754062.php	allow visitors to be fully immersed in the region's coolest holiday attraction. Guests will embark on a breathtaking underwater journey from the	
CW39 NewsFix	Ice Land to open at Moody Gardens	11/18/2022	Online	Online, consumer	Houston, TX	Yes	United States	POS	23,780	\$5.47	http://cw39.com/community/ice-land-to-open-at-moody-gardens/	trips in France and put in under the family tree for 2023. HOLIDAY U.S. HOLIDAY DECORATIONS AND FESTIVALS FOR 2022 - C'S TO US GALVESTON ISLAND.
Family Travel	Top Holiday Lights and Christmas Displays in the US	11/18/2022	Online	Online, trade/industry		United States	POS	500	\$0.12	http://myfamilytravels.com/content/54708-top-holiday-lights-celebrations-across-america	Mansion Galveston, TX Advertisement DOCENTED TOURS OF ONE OF GALVESTON'S FAVORITE HISTORIC HOMES ABOUT THIS Event Tour area of Moody	
HAPPENINGNEXT	All Access Tours of the 1895 Moody Mansion	11/18/2022	Online	Online, consumer		United States	POS	N/A	\$0.00	http://happeningnext.com/event/all-access-tours-of-the-1895-moody-mansion-e45dnw0n0m1	Nasreen Stump Galveston Girls' Weekend literary Book room at The Hotel Galvez and Spa. This upscale resort is located across Seawall Boulevard	
She Buys Travel	Plan a Girls' Weekend in Texas You'll Never Forget	11/18/2022	Online	Online, consumer		United States	POS	N/A	\$0.00	http://shebuystravel.com/girls-weekend-in-texas/	together!). Inside view of the Galveston Railroad Museum Peggy Woods Galveston Attraction Through the years my husband and I have often taken	
WanderWisdom	Galveston Railroad Museum: A Fascinating Look Back in Time	11/18/2022	Online	Online, consumer		United States	POS	92,507	\$21.28	http://wanderwisdom.com/travel-destinations/Galveston-Railroad-Museum-A-Fascinating-Look-Back-in-Time	Moody Gardens Nutcracker Market happening at Moody Gardens, 1 Hope Boulevard, Galveston, United States on Sat Nov 26 2022 at 09:00 am to 05:00	
HAPPENINGNEXT	Moody Gardens Nutcracker Market	11/19/2022	Online	Online, consumer		United States	POS	N/A	\$0.00	http://happeningnext.com/event/moody-gardens-nutcracker-market-e4dnw0n0m1	Moody Gardens Nutcracker Market happening at Moody Gardens, 1 Hope Boulevard, Galveston, United States on Sat Nov 26 2022 at 09:00 am to 05:00	
HAPPENINGNEXT	SILENT PARTY GALVESTON: 'STICKY LITIGATION HIP HOP VS R&B' EDITION	11/19/2022	Online	Online, consumer		United States	POS	N/A	\$0.00	http://happeningnext.com/event/silent-party-galveston-edition-e4d402e2w0n1	SILENT PARTY GALVESTON: 'STICKY LITIGATION HIP HOP VS R&B' EDITION happening at Mangos Beach Club, 201 26th Street, Galveston, United States on Fri	
Houston On The Cheap	Santa Pictures Houston - Best free and cheap photos with Santa Claus near you	11/19/2022	Online	Blog, consumer	National	United States	POS	20,660	\$4.75	http://houstononthecheap.com/santa-pictures-houston-tx-photos-pet-dog-near-me	Railroad Museum With the holidays quickly approaching, the Galveston Railroad Museum is celebrating the return of THE POLAR EXPRESS™ Train	
Travel Awaits	8 Magical Holiday Events To Experience in Texas (2022)	11/19/2022	Online	Online, consumer		United States	POS	401,996	\$92.46	http://travelsawaits.com/2832296/best-christmas-events-texas/	event. Light display in Moody GardensPhoto credit: Marty Snell 2. Festival Of Lights At Moody Gardens Galveston Every year, Moody Gardens	
The Educator	10 Best Kid-Friendly Family Beaches in Texas	11/20/2022	Online	Online, consumer	Richmond-Petersburg, VA	United States	POS	76,294	\$17.50	http://theeducator.org/10-best-kid-friendly-family-beaches-in-texas/	eco-tours, deep-sea fishing, snorkeling, and bay fishing. Stewart Beach - Galveston This prime beach has a variety of amenities to make your	
Vietnam Explorer	Best bets for your Houston weekend: Dazzling light displays, electrifying stage spectacles and more	11/20/2022	Online	Online, consumer		United States	POS	204,240	\$0.00	http://vietnamexplorer.net/best-bets-for-your-houston-weekend-dazzling-light-displays-electrifying-stage-spectacles-and-more-s962433.html	to join the "Peanut" gang for an evening of Christmas carols at Galveston's Grand 1894 Opera House. Read on for more ways to seize the season	
HOT IN HOUSTON NOW	ICE LAND, Festival of Lights, and More Open Now at Moody Gardens through January 7, 2023	11/21/2022	Online	Online, consumer		United States	POS	N/A	\$0.00	http://houstonnow.com/2022/11/21/ice-land-festival-of-lights-and-more-open-now-at-moody-gardens-through-january-7-2023/	allow visitors to be fully immersed in the region's coolest holiday attraction. Guests will embark on a breathtaking underwater journey from the	
Houstonia Magazine Online	Where to See the Best Christmas Lights in Houston	11/21/2022	Online	Online, consumer		United States	POS	67,158	\$15.45	http://houstoniamag.com/news-and-city-life/where-to-see-the-best-christmas-lights-in-houston	cookie decorating, and a mailbox station for Santa! Moody Gardens Holiday in the Gardens November 19-January 7, 4-6 p.m. One Hope Blvd., 525	
KNFX-FM Online	Listen this week to my show to win Moody Gardens passes	11/21/2022	Online	Online, consumer	Waco-Temple-Bryan, TX	United States	POS	500	\$0.12	http://995thefox.heart.com/featured/kc-wheeler/content/2022-11-21-listen-this-week-to-my-show-to-win-moody-gardens-passes/	week (Mon-Fri) for your chance to win a 4-pack of tickets to go to Moody Gardens in Galveston. It's a fun time for the whole family. Last time	
Hells Landing	Where to Find the Best Hiking in Houston	11/22/2022	Online	Online, consumer		United States	POS	N/A	\$0.00	http://hellslanding.com/blog/where-to-find-the-best-hiking-in-houston/	with plenty of tree cover to protect you from the hot sun. 13. Galveston Island State Park Most people don't think of hiking when they plan a	
Houston Chronicle Online	Holiday festivities near Pasadena include parades, snow slides, music and, of course, Santa	11/22/2022	Online	Online, consumer	Houston, TX	Yes	United States	POS	683,539	\$157.21	http://houstonchronicle.com/neighborhood/pasadena/article/a7c1c12122pasadena-area-holiday-events-176200642.php	of PasadenaShow MoreShow Less Fun and Frolic will be highlighted this holiday season in multiple locations in the cities located on upper
KTRC-TV Online	Moody Gardens welcomes 2 new adorable macaroni penguin chicks bred by Galveston biologists	11/22/2022	Online	Online, consumer	Houston, TX	Yes	United States	POS	713,319	\$573.42	http://abc13.com/moody-garden-baby-penguins-macaroni-penguin-galveston/12482553/	Tuesday, November 22, 2022 at 3:30PM GALVESTON, Texas (KTRC) - Moody Gardens in Galveston welcomed two new healthy macaroni penguin chicks
Visit Houston Texas	Galveston Houston's Nearby Towns & Cities	11/22/2022	Online	Online, consumer		United States	POS	N/A	\$0.00	http://vishouston.com/about-houston/nearby-towns-and-cities/galveston/	Exhibition: Pearl Fischer Museum of Fine Arts", "hostname": "The Linda Matney	
HAPPENINGNEXT	All Access Tours of the 1895 Moody Mansion	11/23/2022	Online	Online, consumer		United States	POS	N/A	\$0.00	http://happeningnext.com/event/all-access-tours-of-the-1895-moody-mansion-e45dnw0n101	a portion of the plumbing system – all of which are now part of the Galveston Children's Museum. On the top floor, you will see artifact storage	
Houston On The Cheap	Thanksgiving 2022 in Houston - Comprehensive Guide	11/23/2022	Online	Blog, consumer	National	United States	POS	20,660	\$4.75	http://houstononthecheap.com/thanksgiving-2022-in-houston-a-comprehensive-guide-black-friday-store-hou-	in Houston with kids this weekend guide. And if you want to do a quick getaway from Houston, we recommend that you look out our Thing to do in	
KCEN-TV Online	Moody Gardens shows off two macaroni penguin chicks	11/23/2022	Online	Online, consumer	Waco-Temple-Bryan, TX	United States	POS	92,680	\$42.60	http://kcen.com/article/ife/animals/moody-gardens-penguin-chicks/285-1fb2de4-c849-4ae3-ba24-9a7b9282488e	8:04 AM CST November 23, 2022 GALVESTON, Texas - The folks at Moody Gardens are thankful for two extra	
KHOU-TV Online	Moody Gardens shows off two macaroni penguin chicks	11/23/2022	Online	Online, consumer	Houston, TX	Yes	United States	POS	582,169	\$486.80	http://khou.com/article/ife/animals/moody-gardens-penguin-chicks/285-1fb2de4-c849-4ae3-ba24-9a7b9282488e	GALVESTON, Texas - The folks at Moody Gardens are thankful for two extra helpings of macaroni this Thanksgiving and we're not talking about the
KIDY-TV Online	Moody Gardens shows off two macaroni penguin chicks	11/23/2022	Online	Online, consumer		United States	POS	10,280	\$2.36	http://myfamilytravels.com/article/ife/animals/moody-gardens-penguin-chicks/285-1fb2de4-c849-4ae3-ba24-9a7b9282488e	8:04 AM CST November 23, 2022 Updated: 8:24 AM CST November 23, 2022 GALVESTON, Texas - The folks at Moody Gardens are thankful for two extra	
KPRC-TV Online	Double dose of holiday cuteness! Moody Gardens welcomes new macaroni penguin siblings	11/23/2022	Online	Online, consumer	Houston, TX	Yes	United States	POS	706,406	\$568.66	http://click2houston.com/news/local/2022/11/22/double-dose-of-holiday-cuteness-moody-gardens-welcomes-new-macaroni-penguin-siblings/	GALVESTON, Texas - Thanksgiving is a time to be grateful, and Moody Gardens is offering a very warm welcome to two new healthy Macaroni penguin
KPRC-TV Online	Holiday fun for the entire family at Moody Gardens in Galveston!	11/23/2022	Online	Online, consumer	Houston, TX	Yes	United States	POS	706,406	\$568.66	http://click2houston.com/video/houston-life/2022/11/23/holiday-fun-for-the-entire-family-at-moody-gardens-in-galveston-houston-life-349c-7/	Melanie Camp went down to Galveston to check out all of the holiday attractions at Moody Gardens Copyright © 2022 Click2Houston.com is managed by
KPRC-TV Online	Thanksgiving Parade, a Christmas train and more	11/23/2022	Online	Online, consumer	Houston, TX	Yes	United States	POS	706,406	\$568.66	http://click2houston.com/feature/2022/11/23/best-bets-for-your-houston-holiday-weekend-thanksgiving-parade-a-christmas-train-and-more/	Keith Garvin and Daniella Guzman will host the show live from Moody Gardens' Festival of Lights in Galveston as Chief Meteorologist Frank
KRBE-FM Online	Moody Gardens shows off two macaroni penguin chicks	11/23/2022	Online	Online, consumer	Houston, TX	Yes	United States	POS	2,886	\$0.69	http://krbe.com/news/moody-gardens-shows-off-two-macaroni-penguin-chicks/	8:04 AM CST November 23, 2022 Updated: 8:24 AM CST November 23, 2022 GALVESTON, Texas - The folks at Moody Gardens are thankful for two extra
News Break	Moody Gardens welcomes 2 new adorable macaroni penguin chicks bred by Galveston biologists	11/23/2022	Online	Online, consumer		United States	POS	1,892,000	\$435.16	http://newsbreak.com/news/283284876646/moody-gardens-welcomes-2-new-adorable-macaroni-penguin-chicks-bred-by-galveston-biologists	Moody Gardens in Galveston Island welcomed two new healthy macaroni penguin chicks in November after biologists say they had a successful breeding	
News Explorer	WATCH LIVE: Annual Christmas Tree Lighting at Houston's Wortham Theater Center	11/23/2022	Online	Online, consumer		United States	POS	N/A	\$0.00	http://newsexplorer.net/watch-live-annual-christmas-tree-lighting-at-houston-wortham-theater-center-s803494.html	The hour-long special will feature a peek at some of the area's best holiday attractions for family fun around the Houston area. KPRC 2 anchors	
U.S. News & World Report	32 Cheap Beach Vacations for Travelers on a Budget	11/23/2022	Online	Online, consumer	National	United States	POS	15,390,000	\$17,698.50	http://travel.usnews.com/gallery/cheap-beach-vacations	cruises. Smaller and less developed than more well-known Gulf beach destinations like South Padre Island and Galveston, Port Aransas	
Vietnam Explorer	'Overjoyed': Moody Gardens welcomes macaroni penguin chicks	11/23/2022	Online	Online, consumer		United States	POS	204,240	\$0.00	http://vietnamexplorer.net/overjoyed-moody-gardens-welcomes-macaroni-penguin-chicks-g035573.html	heads resembled "macaroni" feathers on hats in the 18th century. GALVESTON, Texas - The folks at Moody Gardens are thankful for two extra	
Vietnam Explorer	WATCH LIVE: Annual Christmas Tree Lighting at Houston's Wortham Theater Center	11/23/2022	Online	Online, consumer		United States	POS	204,240	\$0.00	http://vietnamexplorer.net/watch-live-annual-christmas-tree-lighting-at-houston-wortham-theater-center-s6040104.html	Keith Garvin and Daniella Guzman will host the show live from Moody Gardens' Festival of Lights in Galveston as Chief Meteorologist Frank	
Auto Breaking News	Galveston's Moody Gardens welcomes 2 Macaroni penguin chicks	11/24/2022	Online	Online, consumer		United States	POS	381	\$0.00	http://autobreakingnews.com/2022/11/galveston-s-moody-gardens-welcomes-2-macaroni-penguin-chicks/	This Thanksgiving, Moody Gardens is making a little extra room for macaroni - and it's not the cheesy and creamy kind. The South Atlantic exhibit	
Chron Online	2 Macaroni penguin chicks hatch at Galveston's Moody Gardens	11/24/2022	Online	Online, consumer	Houston, TX	Yes	United States	POS	11,410,000	\$13,121.50	http://chron.com/news/houston-texas/article/moody-gardens-galveston-macaroni-penguins-17607017.php	Following a successful breeding, Moody Gardens This Thanksgiving, Moody Gardens is making a little extra room for macaroni - and it's not the
HAPPENINGNEXT	Saint Arnold's Strand Tour 49th Annual Dickens on the Strand	11/24/2022	Online	Online, consumer		United States	POS	N/A	\$0.00	http://happeningnext.com/event/saint-arnolds-strand-tour-49th-annual-dickens-on-the-strand-e45dnw0n0811	49th Annual Dickens on the Strand happening at Hendley Green, 2028 Strand Street, Galveston, United States on Fri Dec 02 2022 at 07:00 pm	
HAPPENINGNEXT	The Dickens Soiree 49th Annual Dickens on the Strand	11/24/2022	Online	Online, consumer		United States	POS	N/A	\$0.00	http://happeningnext.com/event/the-dickens-soiree-49th-annual-dickens-on-the-strand-e45dnw0n05961	The Dickens Soiree 49th Annual Dickens on the Strand happening at 1892 Bishop's Palace, 1402 Broadway Avenue J, Galveston, United States on Fri	
Hells Landing	Where to Find the Best Hiking in Houston	11/24/2022	Online	Online, consumer		United States	POS	N/A	\$0.00	http://hellslanding.com/blog/where-to-find-the-best-hiking-in-houston/	with plenty of tree cover to protect you from the hot sun. 13. Galveston Island State Park Most people don't think of hiking when they plan a	
Houston Chronicle	Galveston's Moody Gardens welcomes 2 Macaroni penguin chicks	11/24/2022	Print	Newspaper	Houston, TX	Yes	United States	POS	141,938	\$30,335.50	N/A	room for macaroni - and it's not the cheesy and creamy kind. The South Atlantic exhibit inside of the Galveston Island aquarium pyramid will serve as the home for a pair of new

Laredo Morning Times Online	2 Macaroni penguin chicks hatch at Galveston's Moody Gardens	11/24/2022	Online	Online, consumer	Laredo, TX		United States	POS	296,735	\$68.25	http://mtonline.com/news/houston-texas/article/moody-gardens-galveston-macaroni-penguin-17607027.php	following a successful breeding. Moody Gardens This Thanksgiving. Moody Gardens is making a little extra room for macaroni and it's not the
News Break	Galveston zoo welcomes two macaroni penguin chicks	11/24/2022	Online	Online, consumer			United States	POS	1,892,000	\$435.16	http://newsbreak.com/news/2835354889596/galveston-zoo-welcomes-two-macaroni-penguin-chicks	GALVESTON, Texas - A Texas zoo is touting two of its newest residents -- a pair of macaroni penguin chicks that hatched earlier this
WFTV-TV Online	Galveston zoo welcomes two macaroni penguin chicks	11/24/2022	Online	Online, consumer	Orlando-Daytona Beach-Melbourne, FL		United States	POS	341,509	\$157.76	http://wftv.com/news/trending/galveston-zoo-welcomes-two-macaroni-penguin-chicks/GLUEADQFQVBCDHLNBYZQSCXFU/	two chicks hatched within three days of one another in early November GALVESTON, Texas - A Texas zoo is touting two of its newest residents -- a
WFXT-TV Online	Galveston zoo welcomes two macaroni penguin chicks	11/24/2022	Online	Online, consumer	Boston, MA		United States	POS	148,698	\$119.76	http://wftv.com/news/trending/galveston-zoo-welcomes-two-macaroni-penguin-chicks/GLUEADQFQVBCDHLNBYZQSCXFU/	two chicks hatched within three days of one another in early November GALVESTON, Texas - A Texas zoo is touting two of its newest residents -- a
WHIO-TV Online	Galveston zoo welcomes two macaroni penguin chicks	11/24/2022	Online	Online, consumer	Dayton, OH		United States	POS	226,888	\$104.37	http://whio.com/news/trending/galveston-zoo-welcomes-two-macaroni-penguin-chicks/GLUEADQFQVBCDHLNBYZQSCXFU/	two chicks hatched within three days of one another in early November GALVESTON, Texas - A Texas zoo is touting two of its newest residents -- a
WSB-TV Online	Galveston zoo welcomes two macaroni penguin chicks	11/24/2022	Online	Online, consumer	Atlanta, GA		United States	POS	610,576	\$491.51	http://wsbtv.com/news/trending/galveston-zoo-welcomes-two-macaroni-penguin-chicks/GLUEADQFQVBCDHLNBYZQSCXFU/	two chicks hatched within three days of one another in early November GALVESTON, Texas - A Texas zoo is touting two of its newest residents -- a
CultureMap Houston	Galveston's world-famous Victorian festival says 'ello' with 3 days of Dickensian fun	11/25/2022	Online	Online, consumer	Houston, TX	Yes	United States	POS	84,160	\$19.36	http://houstontourism.com/news/entertainment/dickens-on-the-strand/	thematic holiday festivals is back on the island. Dickens on The Strand, now in its 49th year, returns to Galveston with family fun. live
HAPPENINGNEXT	A Dickensian Breakfast 49th Annual Dickens on The Strand	11/25/2022	Online	Online, consumer			United States	POS	N/A	\$0.00	http://happeningnext.com/event/a-dickensian-breakfast-49th-annual-dickens-on-the-strand-eid5on4bmwb5f1	A Dickensian Breakfast 49th Annual Dickens on The Strand happening at 1859 Ashton Villa, 2328 Broadway Avenue J, Galveston, United States on Sat
News Break	Galveston's Moody Gardens welcomes 2 Macaroni penguin chicks	11/25/2022	Online	Online, consumer			United States	POS	1,892,000	\$435.16	http://newsbreak.com/news/283511761972/galveston-smoody-gardens-welcomes-2-macaroni-penguin-chicks	Galveston's Moody Gardens welcomes 2 Macaroni penguin chicks Ariana Garcia Chron.com 15 hours ago Read full article on original website
The Buzz Magazines	Holiday Happenings	11/25/2022	Online	Online, consumer			United States	POS	12,329	\$2.84	http://thebuzzmagazines.com/articles/2022/11/holiday-happenings	Nights, Skate with Storybook Stars, and more. Worth the Drive: The Polar Express Train Ride Galveston Railroad Museum, 2602 Santa Fe Pl.
Flipboard	Galveston's world-famous Victorian festival says 'ello' with 3 days of Dickensian fun	11/26/2022	Online	Online, consumer			United States	POS	1,167,170	\$268.45	world-famous-victorian-festival-says-ello-with-3-days-of-dickensian-fun-19KRPgJ5KjWBI8bI:timeE1h3Aa93a2532389575cb761d9c2f2/culturemap.com	culturemap.com • 11h One of the Gulf Coast's most beloved thematic holiday festivals is back on the island. Dickens on The Strand, now in its 49th
HAPPENINGNEXT	All Access Tours of the 1895 Moody Mansion	11/26/2022	Online	Online, consumer			United States	POS	N/A	\$0.00	http://happeningnext.com/event/all-access-tours-of-the-1895-moody-mansion-eid5udm4n3k1	A portion of the plumbing system -- all of which are now part of the Galveston Children's Museum. On the top floor, you will see and feel the original
HAPPENINGNEXT	A Dickensian Breakfast 49th Annual Dickens on The Strand	11/27/2022	Online	Online, consumer			United States	POS	N/A	\$0.00	http://happeningnext.com/event/a-dickensian-breakfast-49th-annual-dickens-on-the-strand-eid5on4bmwb5f1	A Dickensian Breakfast 49th Annual Dickens on The Strand happening at 1859 Ashton Villa, 2328 Broadway Avenue J, Galveston, United States on Sun
Hello Landing	Where to Find the Best Hiking in Houston	11/27/2022	Online	Online, consumer			United States	POS	N/A	\$0.00	http://hellolanding.com/blog/where-to-find-the-best-hiking-in-houston/	with plenty of tree cover to protect you from the hot sun. 13. Galveston Island State Park Most people don't think of hiking when they plan a
Visit Houston Texas	Your Guide to December	11/27/2022	Online	Online, consumer			United States	POS	N/A	\$0.00	http://visithoustontexas.com/blog/post/your-guide-to-december/	pick and to create memories for many Christmases to come. The Polar Express at the Galveston Railroad Museum Dec. 1-23, Times Vary Head to
Houstonia Magazine Online	The 7 Coolest Ice Rinks in Houston	11/28/2022	Online	Online, consumer			United States	POS	67,158	\$15.45	http://houstoniomag.com/life-and-culture/best-ice-skating-rinks-houston	is at the center of the roller rink at the Galleria. Moody Gardens Galveston festival admission is \$25, skate rental is separate After
Lemonwire	Texas upcoming events Nov 28 - Dec 04	11/28/2022	Online	Online, consumer			United States	POS	N/A	\$0.00	http://lemonwire.com/2022/11/27/texas-upcoming-events-nov-28-dec-04/	Date & Time : 12/04/2022 08:00 pm Venue : Tannahill's Tavern and Music Hall Price : \$27 Galveston A Christmas Carol Events Date & Time :
CultureMap Houston	Galveston's world-famous Victorian festival says 'ello' with 3 days of Dickensian fun	11/29/2022	Online	Online, consumer	Houston, TX	Yes	United States	POS	84,160	\$19.36	http://houstontourism.com/news/entertainment/dickens-on-the-strand/	One of the Gulf Coast's most beloved thematic holiday festivals is back on the island. Dickens on The Strand, now in its 49th year, returns to
Hello Landing	Where to Find the Best Hiking in Houston	11/29/2022	Online	Online, consumer			United States	POS	N/A	\$0.00	http://hellolanding.com/blog/where-to-find-the-best-hiking-in-houston/	with plenty of tree cover to protect you from the hot sun. 13. Galveston Island State Park Most people don't think of hiking when they plan a
Preview Houston Chronicle	Holiday Festival and Dickens on the Strand top family fun picks	11/29/2022	Online	Online, consumer			United States	POS	51,028	\$11.74	http://preview.houstonchronicle.com/families/levy-park-holiday-festival-tops-family-fun-picks-17618461	and only bilingual choir for children. Watch them perform at Children's Museum Houston during a special Free Family Night. When: 6-30 p.m. Dec.
Austin Chronicle Online	Day Trips & Beyond: December Events Roundup	11/30/2022	Online	Online, consumer	Austin, TX		United States	POS	N/A	\$0.00	http://austinchronicle.com/daily/travel/2022-11-30/day-trips-and-beyond-december-events-roundup/	Station, www.bush41.org/exhibits/single-exhibit?id=53 Dickens on the Strand Dec. 2-4, Galveston, www.galvestonhistory.org. A Dickens of a
Traveling Lifestyle	17 Best Places to Visit In The U.S. In December 2022	11/30/2022	Online	Online, consumer			United States	POS	25,605	\$0.00	http://travelinglifestyle.net/best-places-to-visit-us-in-december/	Your Christmas vacation in San Juan will be truly memorable. 12. Galveston Island, Texas Your December holiday in Galveston Island, Texas.
TOTALS									217,194,631	\$110,611.35		

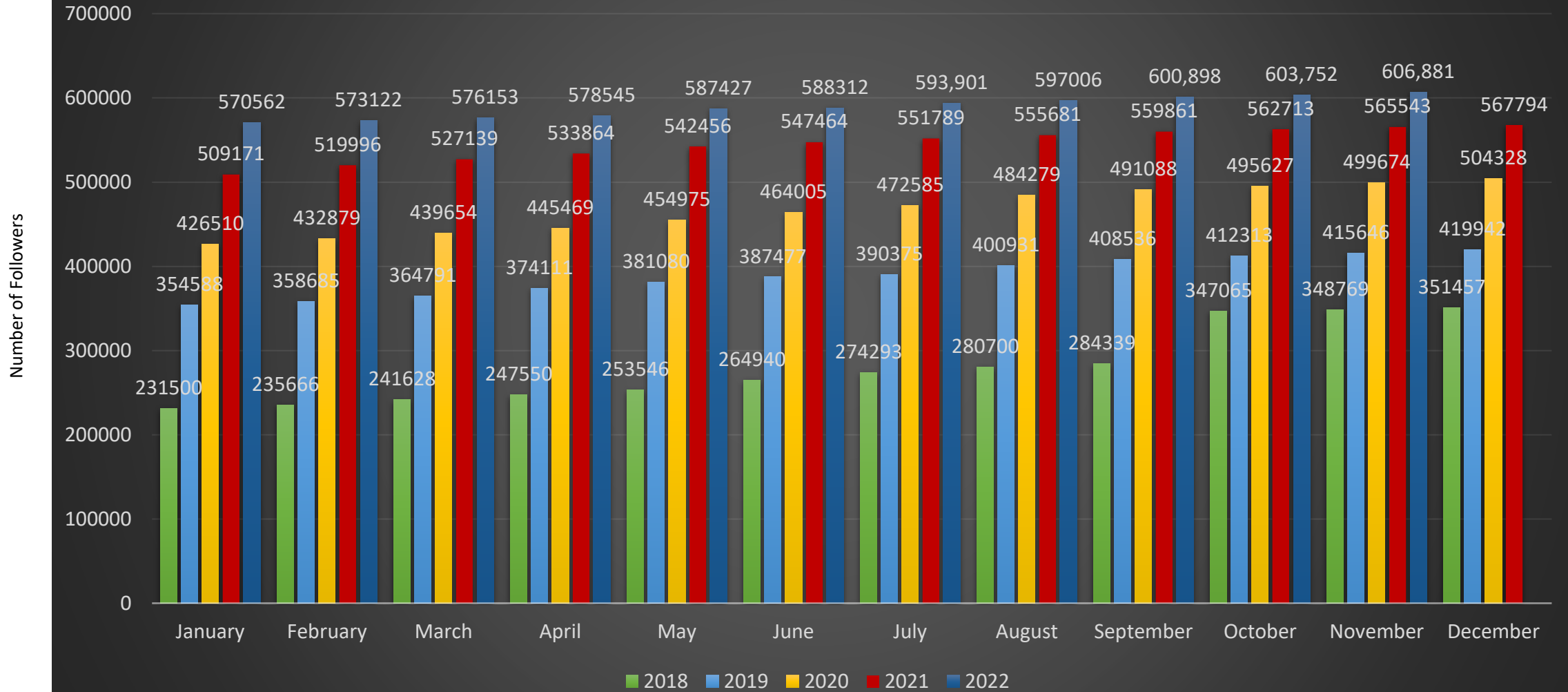
2022 CROSS-NETWORK PERFORMANCE

Profile	Audience	Net Audience Growth	Published Posts	Impressions	Engagements	Engagement Rate (per Impression)	Video Views
Reporting Period Nov 1, 2022 – Nov 30, 2022	606,881 ↑ 0.5%	3,461 ↑ 14.8%	224 ↑ 0.4%	10,114,386 ↑ 5.4%	1,035,627 ↑ 26.4%	10.2% ↑ 19.9%	1,183,225 ↓ 3.2%
Compare to Oct 1, 2022 – Oct 31, 2022	603,716	3,015	223	9,600,224	819,509	8.5%	1,222,721
 @GalvestonIsland	20,872	-130	6	3,284	137	4.2%	313
 Galveston Island	477,754	3,475	152	9,185,454	984,617	10.7%	802,623
 galvestonisland	108,255	116	66	925,648	50,873	5.5%	380,289

2021 CROSS-NETWORK PERFORMANCE

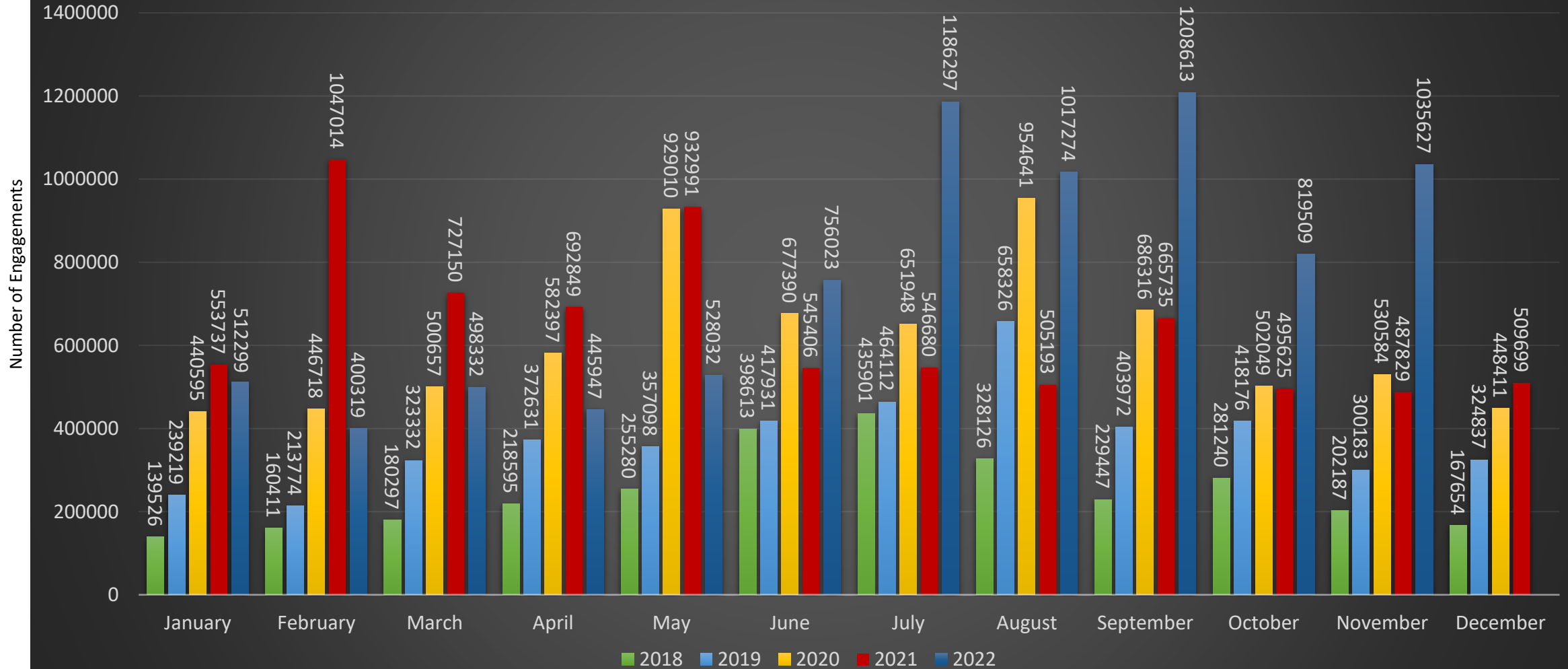
Profile	Audience	Net Audience Growth	Published Posts	Impressions	Engagements	Engagement Rate (per Impression)	Video Views
Reporting Period Nov 1, 2021 – Nov 30, 2021	565,543 ↑ 0.5%	3,036 ↑ 37.9%	222 ↓ 2.2%	8,051,935 ↑ 0.6%	488,476 ↓ 1.4%	6.1% ↓ 2%	441,687 ↓ 12.7%
Compare to Oct 1, 2021 – Oct 31, 2021	562,715	2,201	227	8,004,352	495,625	6.2%	506,066
 @GalvestonIsland	20,665	40	17	28,699	945	3.3%	4
 Galveston Island	443,159	1,959	125	7,020,273	440,663	6.3%	423,943
 galvestonisland	101,719	1,037	80	1,002,963	46,868	4.7%	17,740

YOY Social Media Followers Across Platforms



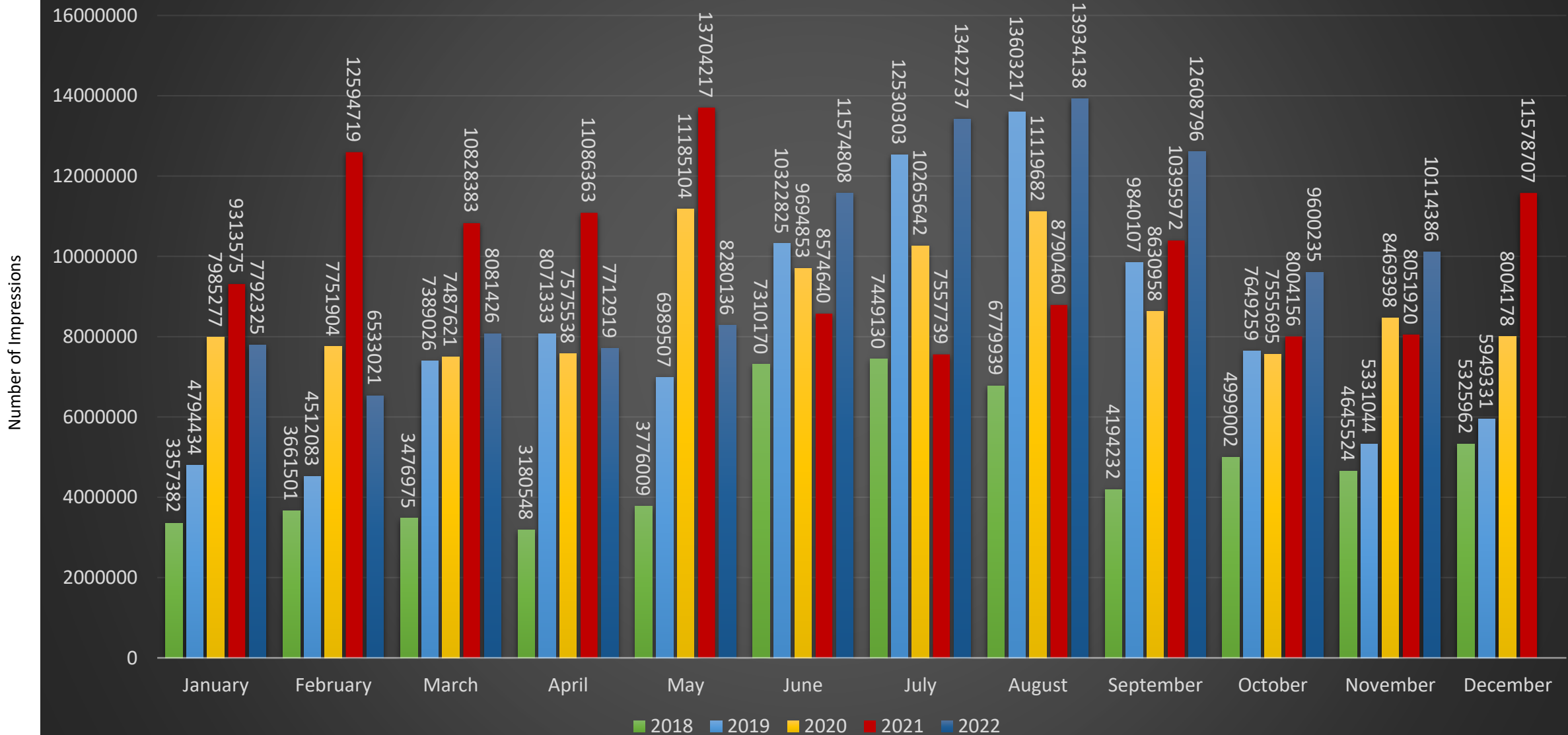
*Data collected from Facebook, Instagram and Twitter

YOY Social Media Engagement Across Platforms



*Data collected from Facebook, Instagram and Twitter

YOY Social Media Impressions Across Platforms



*Data collected from Facebook, Instagram and Twitter

DECEMBER 2022 EXECUTIVE SUMMARY

VISIT GALVESTON

For December, we produced **28** leads with **5,790** potential room nights. In addition, we had **21** Definite Bookings resulting in **6,849** room nights with an estimated economic impact of **\$6,849,995**. Year to Date Definite Bookings are **17,322** future room nights. The definite business booked year to date has a potential economic impact of approximately **\$13,090,355** for Galveston Island. (Note: This figure is based on Destinations International's Economic Impact Calculator.)

Definites: 21

- 2022 – 5
- 2023 – 9
- 2024 – 6
- 2025 – 1

ACTIVITIES & UPDATES:

- **INDUSTRY MEETINGS/NETWORKING:**
Austin area sales calls, Dottie
TSAE Celebration Lunch and sponsor activation, Dottie and Bryan
Home2 Suites and Tru by Hilton property tour, all
Galveston Hotel and Lodging Association Holiday Party, all
- **SITE VISITS/FAMs:**
Home Away RGV, 2023, Tiffany
Franklin Avenue Baptist Church, 2024, Tiffany
Groove National Dance Competition, 2024, Ciara

DESTINATION SERVICES

- **Group Serviced:**
42 events serviced / 2,920 event attendance

DESTINATION EXPERIENCES

- **Visit Galveston App**

	<u>2022-2023</u>	<u>2021-2022</u>	<u>2020-2021</u>
Total Users – 1,637	4,056	17,748	9,536
Total Sessions – 2,261	5,190	21,760	12,936
Pageviews – 17,491	30,493	102,463	63,476
IOS Downloads – 215	393	1,832	1,277
Android Downloads - 60	108	424	407
- **Visitor Information Centers Traffic**

	<u>Last Month</u>	<u>2022-2023</u>	<u>2021-2022</u>	<u>2020-2021</u>
Visitor Information Center	1,293	3,684	15,045	9,052
VICi	0	150	6,933	0
- **Visitor Guide Distribution**

	<u>Last Month</u>	<u>YTD</u>	<u>2021-2022</u>
Digital Guide Requests:	774	2,104	7,027
Mailed Guide Requests:	2,223	7,122	20,595
Bulk Guide Distribution:	54 Cases	259 Cases	1,631 Cases
- **CTA Program**

New CTA's - 3	YTD: 24	2022-2023: 170
---------------	---------	----------------

ADVERTISEMENTS:

- Digital Billboards in Houston
- OTT, Video Pre-Roll & Streaming commercials in key target markets

- Digital & Native articles in key target markets
- Digital ads on TripAdvisor
- Digital ads on Expedia/VRBO
- Digital ads on Google
- Digital ads with iHeartMedia
- Digital ads and native articles on 365Houston
- Print and digital ads in Houston Family Magazine
- Greater Houston Official Visitors Guide
- Meeting Planners International Print & Digital
- Social Media Ads on Facebook and Instagram
- Texas Meeting Planner Guide
- CVENT Destination Guide
- TSAE Texas Society of Association Executives Magazine

SPECIAL EVENTS:

- Met with promoter about hosting vintage grand prix-style race in fall 2023.
- Continued discussion with promoter to discuss potential of hosting climate change/awareness festival in Galveston 2023.
- Continued discussion with promoter about hosting large-scale boat/auto show in fall 2023.

FILM PROJECTS:

- Timelapse Souvenir – filming for short film production.
- Dwight Henson Films – continued scouting for feature film shoot early 2023
- Pilgrim Media Group – scouting for 2023 reality-based TV series



December 2022 Overview



	LEADS						DEFINITES						Economic Impact
	2020/2021		2021/2022		2022/2023		2020/2021		2021/2022		2022/2023		
	#	TRN	#	TRN	#	TRN	#	TRN	#	TRN	#	TRN	
October	10	3,554	34	19,015	26	8,196	10	4,170	6	2,876	18	6,331	\$3,381,012.00
November	13	7,179	36	14	23	11,916	6	4,176	44	4,800	13	4,912	\$3,284,837.00
December	16	9,635	33	12,573	28	5,790	9	4,094	18	7,253	21	6,849	\$6,849,995.00
January	28	9,333	36	13,228			8	4,976	22	6,321			
February	14	5,303	39	16,682			9	3,426	13	9,031			
March	39	15,315	39	15,150			18	6,374	17	5,601			
April	23	7,368	36	15,161			7	2,930	17	5,081			
May	20	8,814	47	25,195			14	5,467	16	7,808			
June	31	12,198	44	17,539			13	6,841	14	4,929			
July	30	17,693	25	13,816			7	2,754	6	6,719			
August	27	12,965	43	15,954			6	2,958	15	3,499			
September	40	15,811	38	18,734			33	13,313	12	4,497			
Total	291	125,168	450	183,061	77	25,902	140	61,479	200	68,415	52	18,092	\$13,515,844.00
Goals		135,000		135,000		135,000		61,000		66,000		68,000	
Percentages		92.72%		135.60%		19.19%		100.79%		103.66%		26.61%	



**December 2022
Monthly Website Summary**

URL	Visits	Users	Time on Site	Pages per visit
2020 visitgalveston.com	64,558	56,165	:46	1:31
2021 visitgalveston.com	160,744	131,646	1:31	1.73
2022 visitgalveston.com	194,705	149,808	1:42	1.78

visitgalveston.com:

- 194,705 sessions of which 144,318 were new users with 347,091 pageviews
- 24,210 (16.23%) desktop sessions, 120,172 (80.55%) mobile sessions and 4,808 (3.22%) tablet sessions
- Most visited pages are ‘annual holiday events’ at 21,331 visits, ‘homepage’ at 13,431, ‘webcams’ at 10,249, ‘north galveston webcam’ at 8,819, holiday in the gardens’ at 8,674, ‘events’ at 7,407, ‘things to do’ at 7,349, ‘washed ashore blog’ at 7,328, ‘harbor webcam’ at 6,296, ‘dickens on the strand’ at 6,121, ‘ring in the new year blog’ at 6,082, ‘polar express’ at 5,996, ‘11 memorable holiday event blog’ at 5,157, ‘ice land event’ at 4,806, ‘dellanera rv park’ at 4,711, ‘downtown webcam’ at 4,580, ‘beaches’ at 4,321, ‘babes beach webcam’ 3,947, ‘cruise-lines’ at 3,942, ‘visitor guide request’ at 3,775, ‘seawall beach webcam’ at 3,626, ‘12 bucket list worthy things to do’ at 3,599, ‘where to stay’ at 3,487, ‘holiday in the gardens event’ at 2,777, and ‘washed ashore event’ at 2,384
- Average time on site @ 1:42 seconds

Geographic Overview:

- Texas represents 55.85% or 86,522 visits of all US visitors, followed by Illinois w/ 8,189, Oklahoma w/ 5,548, Missouri w/ 5,221, Florida w/ 5,206, Louisiana w/ 4,716, Wisconsin w/ 4,161, Iowa w/ 3,090, Kansas w/ 3,044 and Arkansas w/ 2,887
- After the US market (96.76% of visitation) Canada represents the most significant visitors at 0.75% followed by Mexico at .28% and United Kingdom at .23%
- Visitation by city, Houston represents 14.39% of all visitors, followed by Dallas w/ 11.62% or 19,181, Galveston w/ 3.13% or 5,162, Austin w/ 2.64% or 4,358, Miami w/ 2.41% or 3,972, Chicago w/ 2.22% or 3,669, San Antonio w/ 1.48% or 2,435, Oklahoma City w/ 1.03% or 1,697, Akron w/ .97% or 1,598, Fort Worth w/ .75% or 1,244, League City w/.72% or

1,187, The Woodlands w/ .59% or 977, Cypress w/ .59% or 968 and New Orleans w/ .52% or 851

PUBLIC RELATIONS

DECEMBER 2022 END OF MONTH REPORT

MEDIA EVENTS

The Visit Galveston PR team coordinated a media event to promote the installation of the Washed Ashore sculptures. Representatives from the Galveston Daily News and I45 Now attended.

The Visit Galveston PR team attended a media event coordinated by Travel Texas in Austin. Media outlets represented included: USA Today Top Ten, AAA Explorer, Austin Travels, Texas Historical Commission – The Medallion, Eater Austin, Texas Monthly, Southern Living, CultureMap Austin, Austin Food Magazine, Forbes Advisor, Texas Highways, Travel Awaits and Texas Lifestyle Magazine

MEDIA MISSION

The Visit Galveston PR team coordinated a media mission to Oklahoma City. They met with representatives from the Norman Transcript and 405 Magazine. Press materials were dropped off at outlets KAU, KFOR, KOCO, Daily Oklahoman, City Life Magazine, Oklahoma Gazette and Luxiere Magazine.

MEDIA FAM

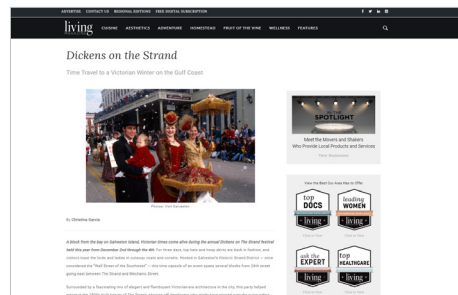
The Visit Galveston PR team coordinated a visit for Travel Awaits writer, Mira Temkin.

PRESS RELEASES DISTRIBUTED

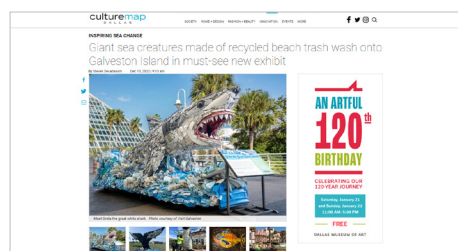
- *Experience Mardi Gras in Texas – Galveston Island Style*
- *Holiday Fun Continues on Galveston Island*

MEDIA REQUESTS

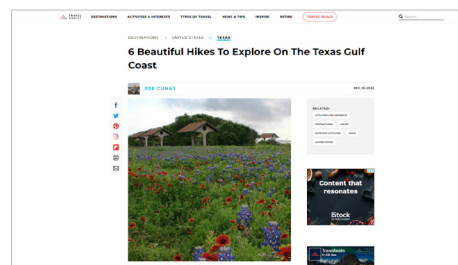
Christina Garcia (Living Magazine), Matt Tasler (I-45 Now), Julie Bielenberg (Colorado freelance), Paige Townley (Convention South), Trace Harris, Jose Mendiola, Jennifer Reynolds, Laura Elder (Galveston County Daily News), Deborah Hamilton-Lynne (Austin freelance), Jennifer Altheide (KUHF-FM), Amanda Adler (RV Magazine), JoAnn Holt (Dallas freelance), Donna Gable (Galveston Monthly), Bill Clevlen (Bill on the Road), Stephanie Becerra (KTRK-TV), Jennifer Simonson (Austin freelance)



Dickens on the Strand was featured on this regional online outlet.



This CultureMap feature on Washed Ashore appeared in Dallas, Houston, Austin and San Antonio. It also appeared at KTRK-TV online.



Galveston Island State Park took center stage in this Travel Awaits roundup.

YEAR	REACH	AD VALUE EQUIVALENCY
2021	47,024,154	\$96,889.66
2022	320,386,126	\$178,245.18

PUBLIC RELATIONS

DECEMBER 2022 END OF MONTH REPORT

ADVOCACY

STORY PITCHES

Washed Ashore

CRISIS COMMUNICATION

Monitored news coverage surrounding short term rental registration, City Council Ordinances, Executive Sessions

GALVESTON COUNTY DAILY NEWS

- Coordinated eight stories and three guest columns with the Galveston Daily News including “In Galveston, plastic debris art speaks for the fishes” and “Galveston council OKs controversial hotel tax rules.”
- Inside the Park Board Column:
 - Beach Patrol calendar set to make its debut
 - Partner Spotlight: Galveston Historical Foundation
 - Visit Galveston leader moves on to new job
 - Park board tours highlight Galveston people, places
 - The Galveston Park Board has had an exceptional 2022

CHAMBER OF COMMERCE E-BLASTS

Washed Ashore

PARK BOARD SOCIAL MEDIA

- Park Board Facebook: 7 posts, 12,297 reached
- Park Board LinkedIn: 4 posts, 2,148 impressions

UPCOMING PROJECTS

- Beach Patrol Calendar
- Juneteenth Brown Bag Series
- Festival & Event Workshop

December 2022 | Media Coverage Report

Outlet	Headline	Date	Medium	Outlet Type	DMA	Houston	Country	Tone	Reach	Publicity Value	Source URL	Text Snippet	
Community Impact Newspaper	29 events to attend in the Houston area this weekend, Dec. 2-4	12/1/2022	Online	Online, consumer			United States	POS	500	\$0.12	http://communityimpact.com/houston/heights-river-oaks-montrose/events/2022/12/01/29-events-to-attend-in-the-houston-area-this-weekend-dec-2-4/	of the Festival of Lights trail. 10 a.m.-4 p.m. daily, 4-10 p.m. (Festival of Lights). \$70-\$100. Moody Gardens, 1 Hope Blvd., Galveston.	
HAPPENINGNEXT	Moody Gardens Bell Ringing Volunteers	12/1/2022	Online	Online, consumer			United States	POS	N/A	\$0.00	http://happeningnext.com/event/moody-gardens-bell-ringing-volunteers-eid4snxxn5nld1	Moody Gardens Bell Ringing Volunteers happening at Moody Gardens, 1 Hope Boulevard, Galveston, United States on Wed Dec 07 2022 at 05:00 pm to	
MSN Travel	South Texas Christmas Celebrations	12/1/2022	Online	Online, consumer			United States	POS	67,151,557	\$15,444.86	http://msn.com/en-us/travel/news/south-texas-christmas-celebrations/ar-AA13K7l	Claus Park Access Games, Campfire, and more! You May Also Like: Girls' Getaway to San Antonio Itinerary Courtesy of Visit Galveston 2. Holiday	
Only in Your State	These 14 Tropical Oases In America Will Make You Forget It's Winter	12/1/2022	Online	Online, consumer			United States	POS	2,141,175	\$492.47	http://onlyinyourstate.com/bucket-list/tropical-oases-winter/	what you need to power through the snowy months ahead. Address: Hapuna Beach, Hawaii 96743, USA Address: Hilton Head Island, SC, USA Address:	
Vietnam Explorer	LINKS: Here are the events featured in the 2022 Holiday Lights Spectacular	12/1/2022	Online	Online, consumer				POS	204,240	\$0.00	http://vnexplorer.net/links-here-are-the-events-featured-in-the-2022-holiday-lights-spectacular-s6214410.html	displays and attractions featured in our 2022 show. THINGS TO DO THIS HOLIDAY SEASON 🎄 TXU Energy Presents Zoo Lights 🎄 Moody Gardens Festival	
97.3 The Dawg	Enter to Win a Fantastic Moody Gardens Holiday Getaway	12/2/2022	Online	Online, consumer	Lafayette, LA		United States	POS	25,235	\$5.80	http://973thedawg.com/enter-to-win-a-fantastic-moody-gardens-holiday-getaway/	Don't look now, but we are in the thick of the holiday season. Moody Gardens in Galveston, Texas has been at it for a few weeks now as they	
Chron	The 12 best holiday displays and Christmas activities in Texas	12/2/2022	Online	Online, consumer	Houston, TX	Yes	United States	POS	11,410,000	\$13,121.50	http://chron.com/life/travel/article/best-holiday-lights-texas-17615952.php	Germany in 2009, specifically for Fredericksburg. Nov. 22 to Jan. 6 Galveston: Moody Gardens Festival of Lights and more The festive tunnel at	
Houston Chronicle	FAMILY FUN	12/2/2022	Print	Newspaper	Houston, TX	Yes	United States	POS	141,938	\$45,123.00	N/A		and only bilingual choir for children. Watch them perform at Children's Museum Houston during a special free family night. When: 6:30 p.m. Dec.
Houston On The Cheap	Moody Gardens Lights 2022 Guide to Christmas Lights Festival	12/2/2022	Online	Blog, consumer	National		United States	POS	20,660	\$4.75	http://houstononthecheap.com/moody-gardens-lights-guide-christmas-light-festival-galveston-tx-tickets-dates	Moody Gardens Lights 2022 Guide – Christmas Festival of Lights in Galveston When it comes to holiday cheer, the Moody Gardens Lights light it up	
Investidollar	Moody Gardens Lights 2022 Information to Christmas Lights Competition	12/2/2022	Online	Online, consumer				POS	N/A	\$0.00	http://investidollar.com/moody-gardens-lights-2022-information-to-christmas-lights-competition/	Gardens Lights 2022 Information – Christmas Competition of Lights in Galveston On the subject of vacation cheer, the Moody Gardens Lights mild it	
KRIV-TV Online	Top 10 Christmas Towns in Texas: Richmond, Galveston make the list, survey says	12/2/2022	Online	Online, consumer	Houston, TX	Yes	United States	POS	122,913	\$28.27	http://fox26houston.com/news/richmond-galveston-ranked-best-top-10-christmas-towns-in-texas	a cowboy with his horse and retrieve stolen Christmas presents. In Galveston, there are a number of holiday events to attend. Trips to Discover	
Laredo Morning Times Online	The 12 best holiday displays and Christmas activities in Texas	12/2/2022	Online	Online, consumer	Laredo, TX		United States	POS	296,735	\$68.25	http://lmonline.com/life/travel/article/best-holiday-lights-texas-17615952.php	sculpture experience, ICE LAND: A Caribbean Christmas. Elsewhere, the Galveston Railroad Museum's immersive train experience to the North Pole.	
Lone Star 1280	These 10 Texas Towns Really Know How To Celebrate Christmas	12/2/2022	Online	Online, consumer			United States	POS	N/A	\$0.00	http://lonestar1280.com/ixp/143/p/these-texas-towns-really-know-how-to-celebrate-christmas/	snow village complete with real snow. Santa himself is there too. Galveston Get a taste of Christmas on the Texas coast. There's nothing quite	
MIX 92.5	These 10 Texas Towns Really Know How To Celebrate Christmas	12/2/2022	Online	Blog, consumer	National		United States	POS	500	\$0.12	http://mix925abilene.com/ixp/143/p/these-texas-towns-really-know-how-to-celebrate-christmas/	snow village complete with real snow. Santa himself is there too. Galveston Get a taste of Christmas on the Texas coast. There's nothing quite	
News Break	Moody Gardens Lights 2022 Guide – Christmas Festival of Lights in Galveston	12/2/2022	Online	Online, consumer			United States	POS	1,892,000	\$435.16	http://newsbreak.com/news/2844306769038/moody-gardens-lights-2022-guide-christmas-festival-of-lights-in-galveston	Moody Gardens Lights 2022 Guide – Christmas Festival of Lights in GalvestonBy HOTC Staffhoustononthecheap.com 5 hours ago Read full article on	
Rock 108	These 10 Texas Towns Really Know How To Celebrate Christmas	12/2/2022	Online	Online, consumer			United States	POS	N/A	\$0.00	http://keyj.com/ixp/143/p/these-texas-towns-really-know-how-to-celebrate-christmas/	snow village complete with real snow. Santa himself is there too. Galveston Get a taste of Christmas on the Texas coast. There's nothing quite	
HAPPENINGNEXT	All Access Tours of the 1895 Moody Mansion	12/3/2022	Online	Online, consumer			United States	POS	N/A	\$0.00	http://happeningnext.com/event/all-access-tours-of-the-1895-moody-mansion-eid4snxxn5nld1	Mansion Galveston, TX Advertisement DOCENTED TOURS OF ONE OF GALVESTON'S FAVORITE HISTORIC HOMES About this Event Tour areas of Moody	
HAPPENINGNEXT	Christmas Lights Tour in Model T replica	12/3/2022	Online	Online, consumer			United States	POS	N/A	\$0.00	http://happeningnext.com/event/christmas-lights-tour-in-model-t-replica-eid3a09jskl8w	and bright! Become filled with holiday cheer as we journey through the Galveston historic districts to discover the most glamorous holiday displays	
KEAN-FM	These 10 Texas Towns Really Know How To Celebrate Christmas	12/3/2022	Online	Online, consumer			United States	POS	2,002	\$0.46	http://keanradio.com/ixp/143/p/these-texas-towns-really-know-how-to-celebrate-christmas/	snow village complete with real snow. Santa himself is there too. Galveston Get a taste of Christmas on the Texas coast. There's nothing quite	
Mix 94.7	Top 10 Christmas Towns in Texas	12/3/2022	Online	Online, consumer			United States	POS	N/A	\$0.00	http://audacy.com/mix947/latest/top-10-christmas-towns-in-texas	Christmas Express & more 7 College Station / Santa's Wonderland 8 Galveston / Winter Wonderland 9 Marshall / Wonderland of Lights 10	
TravelAwaits	My 8 Favorite Cities in Texas For A Romantic Getaway	12/3/2022	Online	Online, consumer			United States	POS	401,996	\$92.46	http://travellaits.com/2836366/best-cities-in-texas-for-romantic-getaway/	is yours in Galveston. In addition to the beach and water activities, Galveston also offers up several historical experiences. Visitors can tour	
CW39 NewsFix	Christmas traditions you may only understand if you're from Texas	12/4/2022	Online	Online, consumer	Houston, TX	Yes	United States	POS	23,780	\$5.47	http://cw39.com/news/texas/christmas-traditions-you-may-only-understand-if-youre-from-texas/	TXSanta's Wonderland – College Station, TXDickens On The Strand – Galveston, TX The Polar Express Train Ride – Palestine, TX13th Annual	
everythingLubbock	Christmas traditions you may only understand if you're from Texas	12/4/2022	Online	Online, consumer			United States	POS	45,210	\$10.40	http://everythinglubbock.com/news/state-regional/christmas-traditions-you-may-only-understand-if-youre-from-texas/	TXSanta's Wonderland – College Station, TXDickens On The Strand – Galveston, TX The Polar Express Train Ride – Palestine, TX13th Annual	

HAPPENINGNEXT	Basement To Attic Tours of the 1892 Bishop's Palace	12/4/2022	Online	Online, consumer		United States	POS	N/A	\$0.00	http://happeningnext.com/event/basement-to-attic-tours-of-the-1892-bishops-palace-eid4so0972ir71	To Attic Tours of the 1892 Bishop's Palace happening at 1892 Bishop's Palace, 1402 Broadway Avenue J, Galveston, United States on Sat Dec 10
HAPPENINGNEXT	Moody Gardens Bell Ringing Volunteers	12/4/2022	Online	Online, consumer		United States	POS	N/A	\$0.00	http://happeningnext.com/event/moody-gardens-bell-ringing-volunteers-eid4snxn5ode1	Moody Gardens Bell Ringing Volunteers happening at Moody Gardens, 1 Hope Boulevard, Galveston, United States on Sat Dec 10 2022 at 05:00 pm to
KSAN-TV Online	Christmas traditions you may only understand if you're from Texas	12/4/2022	Online	Online, consumer	San Angelo, TX	United States	POS	14,666	\$3.37	http://conchovalleyhomepage.com/holidays/christmas-traditions-you-may-only-understand-if-youre-from-texas/	TXSanta's Wonderland – College Station, TXDickens On The Strand – Galveston, TX The Polar Express Train Ride – Palestine, TX13th Annual
KTAL News	Christmas traditions you may only understand if you're from Texas	12/4/2022	Online	Online, consumer			POS	N/A	\$0.00	http://ktalnews.com/holidays/christmas-traditions-you-may-only-understand-if-youre-from-texas/	TXSanta's Wonderland – College Station, TXDickens On The Strand – Galveston, TX The Polar Express Train Ride – Palestine, TX13th Annual
KXAN-TV Online	Christmas traditions you may only understand if you're from Texas	12/4/2022	Online	Online, consumer	Austin, TX	United States	POS	673,938	\$310.01	http://kxan.com/top-stories/christmas-traditions-you-may-only-understand-if-youre-from-texas/	TXSanta's Wonderland – College Station, TXDickens On The Strand – Galveston, TX The Polar Express Train Ride – Palestine, TX13th Annual
News Break	Christmas traditions you may only understand if you're from Texas	12/4/2022	Online	Online, consumer		United States	POS	1,892,000	\$435.16	http://newsbreak.com/news/2846316992274/christmas-traditions-you-may-only-understand-if-youre-from-texas	TX Santa's Wonderland – College Station, TX Dickens On The Strand – Galveston, TX The Polar Express Train Ride – Palestine, TX 13th Annual
CenTexProud	Christmas traditions you may only understand if you're from Texas	12/5/2022	Online	Online, consumer	Waco-Temple-Bryan, TX	United States	POS	500	\$0.12	http://fox44news.com/news/state/christmas-traditions-you-may-only-understand-if-youre-from-texas/	TXSanta's Wonderland – College Station, TXDickens On The Strand – Galveston, TX The Polar Express Train Ride – Palestine, TX13th Annual
KAMR-TV Online	Christmas traditions you may only understand if you're from Texas	12/5/2022	Online	Online, consumer	Amarillo, TX	United States	POS	38,217	\$8.79	http://myhighplains.com/entertainment-news/christmas-traditions-you-may-only-understand-if-youre-from-texas/	TXSanta's Wonderland – College Station, TXDickens On The Strand – Galveston, TX The Polar Express Train Ride – Palestine, TX13th Annual
KDAF-TV	Christmas traditions you may only understand if you're from Texas	12/5/2022	Online	Online, consumer	Dallas-Fort Worth, TX	United States	POS	19,194	\$4.41	http://cw33.com/news/texas/christmas-traditions-you-may-only-understand-if-youre-from-texas/	TXSanta's Wonderland – College Station, TXDickens On The Strand – Galveston, TX The Polar Express Train Ride – Palestine, TX13th Annual
KLAQ-FM Online	These 10 Texas Towns Really Know How To Celebrate Christmas	12/5/2022	Online	Online, consumer	El Paso, TX	United States	POS	23,979	\$5.52	http://klaq.com/these-texas-towns-really-know-how-to-celebrate-christmas/	snow village complete with real snow. Santa himself is there too. Galveston Get a taste of Christmas on the Texas coast. There's nothing quite
Lone Star 99.5 FM	These 10 Texas Towns Really Know How To Celebrate Christmas	12/5/2022	Online	Online, consumer		United States	POS	N/A	\$0.00	http://lonestar995fm.com/these-texas-towns-really-know-how-to-celebrate-christmas/	snow village complete with real snow. Santa himself is there too. Galveston Get a taste of Christmas on the Texas coast. There's nothing quite
Tourism Trends	Texas' Best Holiday Destinations – San Antonio Magazine	12/5/2022	Online	Online, consumer			POS	N/A	\$0.00	http://tourism-trends.co.uk/destinations/texas-best-holiday-destinations-san-antonio-magazine/	Ranch Road, Wimberley Photo Courtesy Moody Gardens For a Road Trip... Moody Gardens Head to Galveston to celebrate the season at Moody Gardens,
102.3 The Beat	Here Are The Top 10 Christmas Towns In Texas	12/6/2022	Online	Online, consumer		United States	POS	5,000	\$1.15	http://thebeat.tx.heart.com/content/2022-12-06-here-are-the-top-10-christmas-towns-in-texas/	and Christmas in the Park. Jefferson Check out the candle-lit tour known as the Holiday Trail of Lights. College Station Visit the town's
106.1 KISSFM	Here Are The Top 10 Christmas Towns In Texas	12/6/2022	Online	Online, consumer	Dallas-Fort Worth, TX	United States	POS	500	\$0.12	http://1061kissfm.heart.com/content/2022-12-06-here-are-the-top-10-christmas-towns-in-texas/	and Christmas in the Park. Jefferson Check out the candle-lit tour known as the Holiday Trail of Lights. College Station Visit the town's
96.1 NOW	Here Are The Top 10 Christmas Towns In Texas	12/6/2022	Online	Online, consumer		United States	POS	5,000	\$1.15	http://961now.heart.com/content/2022-12-06-here-are-the-top-10-christmas-towns-in-texas/	and Christmas in the Park. Jefferson Check out the candle-lit tour known as the Holiday Trail of Lights. College Station Visit the town's
Austin's ALT 97.5	Here Are The Top 10 Christmas Towns In Texas	12/6/2022	Online	Online, consumer		United States	POS	5,000	\$1.15	http://alt975austin.heart.com/content/2022-12-06-here-are-the-top-10-christmas-towns-in-texas/	and Christmas in the Park. Jefferson Check out the candle-lit tour known as the Holiday Trail of Lights. College Station Visit the town's
Business News Press	10 A laugh Issues to Do in Houston Texas	12/6/2022	Online	Online, consumer		United States	POS	144	\$0.03	http://businessnewspress.com/2022/12/06/10-a-laugh-issues-to-do-in-houston-texas/	artwork. Typically, vacationers spend a complete attractive day on the museum to hide its each and every phase. 8. Have a A laugh Day on the
HOT 107.9	Enter to Win a Fantastic Moody Gardens Holiday Getaway	12/6/2022	Online	Online, consumer		United States	POS	N/A	\$0.00	http://1079shot.com/enter-to-win-a-fantastic-moody-gardens-holiday-getaway/	Don't look now, but we are in the thick of the holiday season. Moody Gardens in Galveston, Texas has been at it for a few weeks now as they
KJ 97	Here Are The Top 10 Christmas Towns In Texas	12/6/2022	Online	Online, consumer		United States	POS	11,629	\$2.67	http://kj97.heart.com/content/2022-12-06-here-are-the-top-10-christmas-towns-in-texas/	and Christmas in the Park. Jefferson Check out the candle-lit tour known as the Holiday Trail of Lights. College Station Visit the town's
KPRC AM 950	Here Are The Top 10 Christmas Towns In Texas	12/6/2022	Online	Online, consumer		United States	POS	7,951	\$1.83	http://kprcradio.heart.com/content/2022-12-06-here-are-the-top-10-christmas-towns-in-texas/	and Christmas in the Park. Jefferson Check out the candle-lit tour known as the Holiday Trail of Lights. College Station Visit the town's
KZEP	Here Are The Top 10 Christmas Towns In Texas	12/6/2022	Online	Online, consumer		United States	POS	5,000	\$1.15	http://kzep.heart.com/content/2022-12-06-here-are-the-top-10-christmas-towns-in-texas/	and Christmas in the Park. Jefferson Check out the candle-lit tour known as the Holiday Trail of Lights. College Station Visit the town's
Lone Star 92.5	Here Are The Top 10 Christmas Towns In Texas	12/6/2022	Online	Online, consumer		United States	POS	5,000	\$1.15	http://lonestar925.heart.com/content/2022-12-06-here-are-the-top-10-christmas-towns-in-texas/	and Christmas in the Park. Jefferson Check out the candle-lit tour known as the Holiday Trail of Lights. College Station Visit the town's
News Break	The Polar Express Train Ride in Galveston Truly a Magical Journey	12/6/2022	Online	Online, consumer		United States	POS	1,552,000	\$356.96	http://newsbreak.com/news/2848785817670/the-polar-express-train-ride-in-galveston-truly-a-magical-journey	The Polar Express Train Ride in Galveston Truly a Magical JourneyBy Mario Garcia Kicker 102.5 2 hours ago Read full article on original website
San Antonio Online	Texas' Best Holiday Destinations	12/6/2022	Online	Online, consumer	Austin, TX	United States	POS	16,660	\$3.83	http://sanantoniomag.com/texas-best-holiday-destinations/	Ranch Road, Wimberley Photo Courtesy Moody Gardens For a Road Trip... Moody Gardens Head to Galveston to celebrate the season at Moody Gardens,
The Edge 102.1	Here Are The Top 10 Christmas Towns In Texas	12/6/2022	Online	Online, consumer			POS	500	\$0.00	http://star1021.heart.com/content/2022-12-06-here-are-the-top-10-christmas-towns-in-texas/	and Christmas in the Park. Jefferson Check out the candle-lit tour known as the Holiday Trail of Lights. College Station Visit the town's




The Post Newspaper Online	Community Calendar	12/6/2022	Online	Online, consumer	Houston, TX	Yes	United States	POS	N/A	\$0.00	http://thepostnewspaper.net/2022/12/06/community-calendar-9/	Galveston Railroad Museum, 2602 Santa Fe Place, Galveston. Hosted by Galveston Railroad Museum. Join Railroad Museum docents on a tour of the
Tourism Trends	My 8 Favorite Cities In Texas For A Romantic Getaway	12/6/2022	Online	Online, consumer				POS	N/A	\$0.00	http://tourism-trends.co.uk/vacation/my-8-favorite-cities-in-texas-for-a-romantic-getaway/	is yours in Galveston. In addition to the beach and water activities, Galveston also offers up several historical experiences. Visitors can tour
Woai iheart	Here Are The Top 10 Christmas Towns In Texas	12/6/2022	Online	Online, consumer			United States	POS	5,000	\$1.15	http://woai.iheart.com/content/2022-12-06-here-are-the-top-10-christmas-towns-in-texas/	and Christmas in the Park. Jefferson Check out the candle-lit tour known as the Holiday Trail of Lights. College Station Visit the town's
104.5 Latino Hits	Here Are The Top 10 Christmas Towns In Texas	12/7/2022	Online	Online, consumer			United States	POS	5,000	\$1.15	http://1045latinohits.iheart.com/content/2022-12-06-here-are-the-top-10-christmas-towns-in-texas/	and Christmas in the Park. Jefferson Check out the candle-lit tour known as the Holiday Trail of Lights. College Station Visit the town's
97.1 the Eagle	Here Are The Top 10 Christmas Towns In Texas	12/7/2022	Online	Online, consumer			United States	POS	5,000	\$1.15	http://971thefreak.iheart.com/content/2022-12-06-here-are-the-top-10-christmas-towns-in-texas/	and Christmas in the Park. Jefferson Check out the candle-lit tour known as the Holiday Trail of Lights. College Station Visit the town's
HAPPENINGNEXT	Moody Gardens Bell Ringing Volunteers	12/7/2022	Online	Online, consumer			United States	POS	N/A	\$0.00	http://happeningnext.com/event/moody-gardens-bell-ringing-volunteers-eid4snxnSouq1	Moody Gardens Bell Ringing Volunteers happening at Moody Gardens, 1 Hope Boulevard, Galveston, United States on Mon Dec 12 2022 at 05:00 pm to
KASE 101	Here Are The Top 10 Christmas Towns In Texas	12/7/2022	Online	Online, consumer			United States	POS	5,000	\$1.15	http://kase101.iheart.com/content/2022-12-06-here-are-the-top-10-christmas-towns-in-texas/	and Christmas in the Park. Jefferson Check out the candle-lit tour known as the Holiday Trail of Lights. College Station Visit the town's
KHFI	Here Are The Top 10 Christmas Towns In Texas	12/7/2022	Online	Online, consumer	Austin, TX		United States	POS	5,000	\$1.15	http://967kissfm.iheart.com/content/2022-12-06-here-are-the-top-10-christmas-towns-in-texas/	and Christmas in the Park. Jefferson Check out the candle-lit tour known as the Holiday Trail of Lights. College Station Visit the town's
KKYR	The Polar Express Train Ride in Galveston Truly a Magical Journey	12/7/2022	Online	Online, consumer	Shreveport, LA		United States	POS	2,350	\$0.54	http://kkyr.com/the-polar-express-train-ride-in-galveston-truly-a-magical-journey/	and PIs are recommended. The Polar Express is part of Christmas in Galveston one of several attractions you have to put on your bucket
KRBC-TV Online	Christmas traditions you may only understand if you're from Texas	12/7/2022	Online	Online, consumer	Ablene-Sweetwater, TX		United States	POS	66,823	\$15.37	http://bigcountryhomepage.com/news/christmas-traditions-you-may-only-understand-if-youre-from-texas/	TXSanta's Wonderland – College Station, TXDickens On The Strand – Galveston, TX The Polar Express Train Ride – Palestine, TX13th Annual
KVET-FM online	Here Are The Top 10 Christmas Towns In Texas	12/7/2022	Online	Online, consumer	Austin, TX		United States	POS	500	\$0.12	http://981kvet.iheart.com/content/2022-12-06-here-are-the-top-10-christmas-towns-in-texas/	and Christmas in the Park. Jefferson Check out the candle-lit tour known as the Holiday Trail of Lights. College Station Visit the town's
News Break	Christmas traditions you may only understand if you're from Texas	12/7/2022	Online	Online, consumer			United States	POS	1,552,000	\$356.96	http://newsbreak.com/news/284885665173/christmas-traditions-you-may-only-understand-if-you-re-from-texas	TX Santa's Wonderland – College Station, TX Dickens On The Strand – Galveston, TX The Polar Express Train Ride – Palestine, TX13th Annual
News Break	Here Are The Top 10 Christmas Towns In Texas	12/7/2022	Online	Online, consumer			United States	POS	1,552,000	\$356.96	http://newsbreak.com/news/2848799905680/here-are-the-top-10-christmas-towns-in-texas	and Christmas in the Park. Jefferson Check out the candle-lit tour known as the Holiday Trail of Lights. College Station Visit the town's
The Bull Country	Here Are The Top 10 Christmas Towns In Texas	12/7/2022	Online	Online, consumer			United States	POS	5,000	\$1.15	http://thebullcountry.iheart.com/content/2022-12-06-here-are-the-top-10-christmas-towns-in-texas/	and Christmas in the Park. Jefferson Check out the candle-lit tour known as the Holiday Trail of Lights. College Station Visit the town's
Today Headline	11 Very Best Beaches In Texas To Visit	12/8/2022	Online	Online, consumer				POS	15,466	\$0.00	http://todayheadline.co/11-very-best-beaches-in-texas-to-visit-hand-luggage-only/	Surfside Beach Less than an hour's drive from Houston, Surfside Beach is a totally tranquil spot to visit if you're fancying a getaway from
99.9 KTDY	Enter to Win a Fabulous Weekend and More at Moody Gardens	12/9/2022	Online	Online, consumer			United States	POS	14,420	\$3.32	http://999ktdy.com/enter-to-win-a-fabulous-weekend-at-moody-gardens-and-more/	Moody Gardens Hotel, Spa and Convention Center in Galveston, Texas is just a few hours from Lafayette and is the perfect holiday retreat to relax.
CW39 NewsFix	Join CW39 meteorologist Carrigan Chauvin at the 2022 Galveston Christmas Parade!	12/9/2022	Online	Online, consumer	Houston, TX	Yes	United States	POS	23,780	\$5.47	http://cw39.com/community/2022-galveston-christmas-parade-meteorologist-carrigan-chauvin-to-join-in-on-the-fun/	GALVESTON, Texas (KIAH) - 'Tis that time of year! This year the Galveston Christmas Parade will be held on Saturday, December 10 at 6:30 p.m. The
HAPPENINGNEXT	All Access Tours of the 1895 Moody Mansion	12/9/2022	Online	Online, consumer			United States	POS	N/A	\$0.00	http://happeningnext.com/event/all-access-tours-of-the-1895-moody-mansion-eid4snxdm2co1	a portion of the plumbing system – all of which are now part of the Galveston Children's Museum. On the top floor, you will see artifact storage
HAPPENINGNEXT	Moody Gardens Bell Ringing Volunteers	12/9/2022	Online	Online, consumer			United States	POS	N/A	\$0.00	http://happeningnext.com/event/moody-gardens-bell-ringing-volunteers-eid4snxn64vx1	Moody Gardens Bell Ringing Volunteers happening at Moody Gardens, 1 Hope Boulevard, Galveston, United States on Thu Dec 15 2022 at 07:00 pm to
HAPPENINGNEXT	The "Glow Night Ride" The Best one of the Year Ugly Sweater Ride #64	12/9/2022	Online	Online, consumer			United States	POS	N/A	\$0.00	http://happeningnext.com/event/the-andquotglow-night-rideandquot-the-best-one-of-the-year-ugly-sweater-ride-64-eid3a09jskess	will go along the Seawall and then Riders Will head down to the scenic Galveston Historic Downtown and over to pier 21. ** Please note that a
Houston Chronicle	FAMILY FUN	12/9/2022	Print	Newspaper	Houston, TX	Yes	United States	POS	141,938	\$43,855.50	N/A	Jones Hall, 615 Louisiana Details: \$20-\$145; houstonsymphony.org GALVESTON 'The Nutcracker' City Ballet of Houston's presentation of "The
Houstonia Magazine Online	The Ultimate Guide to a Whimsical Weekend in Galveston	12/9/2022	Online	Online, consumer			United States	POS	67,158	\$15.45	http://houstoniomag.com/travel-and-outdoors/weekend-trip-guide-galveston-texas	attractions. For a round-trip journey to the "North Pole," head to the Galveston Railroad Museum for The Polar Express Train Ride. Discover the
KDAF-TV	Report ranks the best holiday events in Texas	12/9/2022	Online	Online, consumer	Dallas-Fort Worth, TX		United States	POS	19,194	\$4.41	http://cw39.com/news/local/report-ranks-the-best-holiday-events-in-texas/	a road trip out of it, if these events haven't already passed: McAllen Holiday Parade Whistle Stop Christmas – Cleburne Fort Worth Parade of
KPRC-TV Online	Moody Gardens offering Winter Day Camps for kids	12/9/2022	Online	Online, consumer	Houston, TX	Yes	United States	POS	706,406	\$568.66	http://click2houston.com/houston-life/2022/12/08/moody-gardens-offering-winter-day-camps-for-kids/	not necessarily reflect those of this site or affiliated companies. GALVESTON – The holiday break is right around the corner for local
News Break	Enter to Win a Fabulous Weekend and More at Moody Gardens	12/9/2022	Online	Online, consumer			United States	POS	1,552,000	\$356.96	http://newsbreak.com/news/2851777397844/enter-to-win-a-fabulous-weekend-and-more-at-moody-gardens	MoodyGardens.com Moody Gardens Hotel, Spa and Convention Center in Galveston, Texas is just a few hours from Lafayette and is the perfect holiday

News Break	Join CW39 meteorologist Carrigan Chauvin at the 2022 Galveston Christmas Parade!	12/9/2022	Online	Online, consumer			United States	POS	1,552,000	\$356.96	http://newsbreak.com/news/2851950528911/join-cw39-meteorologist-carrigan-chauvin-at-the-2022-galveston-christmas-parade	Join CW39 meteorologist Carrigan Chauvin at the 2022 Galveston Christmas Parade!By Carrigan Chauvincw39.com 19 hours ago Read full article on
News Break	Report ranks the best holiday events in Texas	12/9/2022	Online	Online, consumer			United States	POS	1,552,000	\$356.96	http://newsbreak.com/news/2852636589852/report-ranks-the-best-holiday-events-in-texas	a road trip out of it, if these events haven't already passed: McAllen Holiday Parade Whistle Stop Christmas – Cleburne Fort Worth Parade of
The Travel	10 Most Romantic Texas Getaways For Couples To Enjoy	12/9/2022	Online	Online, consumer			Canada	POS	194,972	\$44.84	http://thetravel.com/most-romantic-texas-getaways/	restaurant whose menu is made from locally sourced ingredients. 3/10 Galveston Nothing competes for romance like a seaside getaway. in
The Travel	These Are The Top 10 Texas Christmas Towns	12/9/2022	Online	Online, consumer			Canada	POS	194,972	\$44.84	http://thetravel.com/best-christmas-towns-in-texas/	Meeting rooms 9/10 Galveston Christmas is even more festive in Galveston, where Christmas on the Strand celebrates Christmas with a month-long
HAPPENINGNEXT	Basement To Attic Tours of the 1892 Bishop's Palace	12/10/2022	Online	Online, consumer			United States	POS	N/A	\$0.00	http://happeningnext.com/event/basement-to-attic-tours-of-the-1892-bishops-palace-eid45o0972lkm1	at 11:00 am to 12:30 pm UTC-06:00 Location 1892 Bishop's Palace Galveston, TX Advertisement TOUR ALL FLOORS OF THIS NATIONAL HISTORIC
Big Seven Travel	7 Best Places for Snorkeling in Texas – Big 7 Travel	12/11/2022	Online	Online, consumer			United States	POS	96,537	\$22.20	http://bigseventravel.com/best-places-snorkeling-in-texas/	and safe conditions. The soft sand is also perfect for sunbathing, sandcastle building, and beachcombing. [Additional Text]: Snorkeling in
HAPPENINGNEXT	Moody Gardens Bell Ringing Volunteers	12/11/2022	Online	Online, consumer			United States	POS	N/A	\$0.00	http://happeningnext.com/event/moody-gardens-bell-ringing-volunteers-eid45nxxn5g651	Moody Gardens Bell Ringing Volunteers happening at Moody Gardens, 1 Hope Boulevard, Galveston, United States on Sat Dec 17 2022 at 05:00 pm to
The Post Newspaper Online	Community Calendar	12/11/2022	Online	Online, consumer	Houston, TX	Yes	United States	POS	N/A	\$0.00	http://thepostnewspaper.net/2022/12/11/community-calendar-10/	or Jim at 409-789-7626. Docent Tours – Fridays -December 16, 2022, Galveston Railroad Museum, 2602 Santa Fe Place, Galveston. Hosted by
Ugolini	7 Best Places for Snorkeling in Texas – Big 7 Travel	12/11/2022	Online	Online, consumer				POS	N/A	\$0.00	http://ugolini.co.th/ugolini/7-best-places-for-snorkeling-in-texas-big-7-travel/	and safe conditions. The soft sand is also perfect for sunbathing, sandcastle building, and beachcombing. [Additional Text]: Snorkeling in
Austin	Feel Like You're In A Hallmark Movie In These Texas Christmas Towns	12/12/2022	Online	Online, consumer			United States	POS	N/A	\$0.00	http://austin.com/youll-feel-like-youre-in-a-hallmark-movie-in-these-texas-christmas-towns/	courtesy of Santas Wonderland via Instagram Christmas at the beach? We're in! Head to Galveston, Texas for two months of holly jolly,
HAPPENINGNEXT	All Access Tours of the 1895 Moody Mansion	12/12/2022	Online	Online, consumer			United States	POS	N/A	\$0.00	http://happeningnext.com/event/all-access-tours-of-the-1895-moody-mansion-eid45nxdm2u21	a portion of the plumbing system – all of which are now part of the Galveston Children's Museum. On the top floor, you will see artifact storage
News Break	A Special Holiday Season Awaits At Moody Gardens On Galveston Island	12/12/2022	Online	Online, consumer			United States	POS	1,552,000	\$356.96	http://newsbreak.com/news/2855315209926/a-special-holiday-season-awaits-at-moody-gardens-on-galveston-island	A Special Holiday Season Awaits At Moody Gardens On Galveston IslandKXAN 2 hours ago Read full article on original website
CultureMap Dallas	Giant sea creatures made of recycled beach trash wash onto Galveston Island in must-see new exhibit	12/13/2022	Online	Online, consumer	Dallas-Fort Worth, TX		United States	POS	58,570	\$13.47	http://dallas.culturemap.com/news/travel/galveston-washed-ashore-recycled-trash/	A giant great white shark, massive bald eagle, oversized octopus, and more enormous sea life are invading Galveston Island – just in time for the
MSN Travel	Top Holiday Lights Celebrations Across America	12/13/2022	Online	Online, consumer			United States	POS	67,151,557	\$15,444.86	http://msn.com/en-us/travel/tripideas/top-holiday-lights-celebrations-across-america/ar-AA14h5P7	trips in France and put in under the family tree for 2023. MORE U.S. HOLIDAY DECORATIONS AND FESTIVALS FOR 2022 – G's to I's GALVESTON ISLAND,
Texas Parks & Wildlife Online	Specks for Christmas December 2022 TPW magazine	12/13/2022	Online	Online, trade/industry			United States	POS	11,431	\$2.63	http://tpwmagazine.com/archive/2022/dec/scout8_releasy/index.phtml	York GALVESTON ISLAND STATE PARK offers the perfect hotspot for spotted seatrout
The Post Newspaper Online	Community Calendar	12/13/2022	Online	Online, consumer	Houston, TX	Yes	United States	POS	N/A	\$0.00	http://thepostnewspaper.net/2022/12/13/community-calendar-11/	or Jim at 409-789-7626. Docent Tours – Fridays -December 16, 2022, Galveston Railroad Museum, 2602 Santa Fe Place, Galveston. Hosted by
Vietname Explorer	A Christmas tree spy, moon over Texas and an angry Texans fan: See the best of our latest Click2Pins submissions	12/13/2022	Online	Online, consumer				POS	204,240	\$0.00	http://vnexplorer.net/a-christmas-tree-spy-moon-over-texas-and-an-angry-texans-fan-see-the-best-of-our-latest-click2pins-submissions-s6504037.html	a blast at Ice Land Eric M. Having a blast at Ice Land, Moody Gardens 0 s 0 0 Galveston "Star Wars" among the elephant
CultureMap Houston	Giant sea creatures made of recycled beach trash wash onto Galveston Island in must-see new exhibit	12/14/2022	Online	Online, consumer	Houston, TX	Yes	United States	POS	84,160	\$19.36	http://houston.culturemap.com/news/arts/galveston-art-recycled-trash-washed-ashore/	Washed Ashore exhibits have been displayed at the Smithsonian National Museum of Natural History, zoos, aquariums, and botanical gardens, across
KTRK-TV Online	Giant sea creatures made of recycled beach trash wash onto Galveston Island in must-see new exhibit	12/14/2022	Online	Online, consumer	Houston, TX	Yes	United States	POS	712,319	\$573.42	http://abc13.com/things-to-do-in-galveston-art-exhibit-recycled-beach-trash-pollution/12567452/	BySteven Devadanam via Wednesday, December 14, 2022 2:48AM GALVESTON, Texas -- A giant great white shark, massive bald eagle, oversized octopus,
Preview Houston Chronicle	10 Houston holiday events to see with family during the day, including a Polar Express concert	12/14/2022	Online	Online, consumer			United States	POS	51,028	\$11.74	http://preview.houstonchronicle.com/families/houston-daytime-holiday-events-17649920	\$30-\$140; houstonballet.org Polar Express Polar Express at the Galveston Railroad Museum. Photo: Galveston Railroad Museum Passengers will
themercury.au	Holiday attractions at Moody Gardens	12/14/2022	Online	Online, consumer				POS	96,781	\$0.00	http://themercury.com.au/news/world/holiday-attractions-at-moody-gardens/video/d72596b4df1ef6ff1bbc3807b78ad61a	You can celebrate the holiday season in Galveston. Moody Gardens has a number of fun activities for the whole family A NOTE ABOUT RELEVANT
Highlands Star	Ice Land returns to Moody Gardens	12/15/2022	Online	Online, consumer			United States	POS	513	\$0.12	http://starcouriernews.com/2022/12/ice-land-returns-to-moody-gardens/	15, 2022 GALVESTON – It's beginning to look a lot like Christmas on Galveston Island. Festive sights, sounds, and smells fill the air from Nov.
KETK NBC	Christmas traditions you may only understand if you're from Texas	12/15/2022	Online	Online, consumer	Tyler-Longview (Lufkin & Nacogdoches), T		United States	POS	500	\$0.12	http://ketk.com/news/christmas-traditions-you-may-only-understand-if-youre-from-texas/	TX Santa's Wonderland – College Station, TX Dickens On The Strand – Galveston, TX The Polar Express Train Ride – Palestine, TX 13th Annual
KPRC-TV Online	Special holiday edition of Houston Life live from Galveston	12/15/2022	Online	Online, consumer	Houston, TX	Yes	United States	POS	706,406	\$568.66	http://click2houston.com/video/houston-life/2022/12/09/special-holiday-edition-of-houston-life-live-from-galveston-houston-life-kprc-2/	The Houston Life team headed down south to Galveston, to give you a guide for holiday family fun this year! Copyright © 2022 Click2Houston.com is
Only in Your State	12 Unforgettable Texas Day Trips, One For Each Month Of The Year	12/15/2022	Online	Online, consumer			United States	POS	2,141,175	\$492.47	http://onlyinyourstate.com/texas/day-trips-tx/	Rd, San Antonio, TX, USA Address: Brenham, TX 77833, USA Address: Moody Gardens Tram Route, Galveston, TX 77554, USA Address: South Padre



The Travel	10 Parks In Texas You Can Explore In A Day	12/15/2022	Online	Online, consumer			Canada	POS	194,972	\$44.84	http://thetravel.com/parks-in-texas-to-explore-in-a-day/	can get up close with life-sized replicas of dinosaurs or take a guided tour to learn more about the park's history. Opening hours: 8:30 am
Community Impact Newspaper	25 events to attend in the Houston area this weekend, Dec. 16-18	12/16/2022	Online	Online, consumer			United States	POS	500	\$0.12	http://communityimpact.com/houston/heights-river-oaks-montrose/events/2022/12/15/25-events-to-attend-in-the-houston-area-this-weekend-dec-16-18/	10 a.m.-4 p.m. daily, 4-10 p.m. (Festival of Lights). \$70-\$100. Moody Gardens, 1 Hope Blvd., Galveston. 409-744-4673.
HAPPENINGNEXT	Moody Gardens Bell Ringing Volunteers	12/17/2022	Online	Online, consumer			United States	POS	N/A	\$0.00	http://happeningnext.com/event/moody-gardens-bell-ringing-volunteers-eid4snxn67821	Moody Gardens Bell Ringing Volunteers happening at Moody Gardens, 1 Hope Boulevard, Galveston, United States on Sat Dec 24 2022 at 07:00 pm to
News Break	Giant sea creatures made of recycled beach trash wash onto Galveston Island in must-see new exhibit	12/17/2022	Online	Online, consumer			United States	POS	1,552,000	\$356.96	http://newsbreak.com/news/2856918132870/giant-sea-creatures-made-of-recycled-beach-trash-wash-onto-galveston-island-in-must-see-new-exhibit	A giant great white shark, massive bald eagle, oversized octopus, and more enormous sea life are invading Galveston Island - just in time for the
HAPPENINGNEXT	All Access Tours of the 1895 Moody Mansion	12/18/2022	Online	Online, consumer			United States	POS	N/A	\$0.00	http://happeningnext.com/event/all-access-tours-of-the-1895-moody-mansion-eid4snxndm3de1	Mansion Galveston, TX Advertisement DOCENTED TOURS OF ONE OF GALVESTON'S FAVORITE HISTORIC HOMES About this Event Tour areas of Moody
ActiveRain	35 Most Popular Attractions In Houston, TX	12/19/2022	Online	Online, trade/industry			United States	POS	166,126	\$38.21	http://activerain.com/blogview/5764269/35-most-popular-attractions-in-houston-tx	Johnson Space Center, and it was recognized as a Smithsonian Affiliate Museum in 2014. The Starship Gallery, Mission Control Tours, and Shuttle
CultureMap Austin	Giant sea creatures made of recycled beach trash wash ashore in must-see Galveston exhibit	12/19/2022	Online	Online, consumer	Austin, TX		United States	POS	113,072	\$26.01	http://austin.culturemap.com/news/travel/galveston-washed-ashore-recycled-trash/	Ashore" exhibits have been displayed at the Smithsonian National Museum of Natural History, as well as zoos, aquariums, and botanical gardens
KABC-TV Online	Explore a winter wonderland carved from ice!	12/19/2022	Online	Online, consumer			United States	POS	2,678,418	\$2,156.13	http://abc7.com/moody-gardens-ice-land-galveston-texas-holiday-events-in-houston/12590876/	incredible world carved from two million pounds of ice - in TEXAS! GALVESTON, TEXAS -- Want to add some magic to your holiday season? When you
KFSN-TV Online	Explore a winter wonderland carved from ice!	12/19/2022	Online	Online, consumer			United States	POS	276,876	\$63.68	http://abc30.com/moody-gardens-ice-land-galveston-texas-holiday-events-in-houston/12590876/	a winter wonderland made entirely from ice! The 18,000-square foot attraction in Galveston, Texas, is filled with two million pounds of ice
KTRK-TV Online	Explore a winter wonderland carved from ice!	12/19/2022	Online	Online, consumer	Houston, TX	Yes	United States	POS	712,319	\$573.42	http://abc13.com/moody-gardens-ice-land-galveston-texas-holiday-events-in-houston/12590876/	a winter wonderland made entirely from ice! The 18,000-square foot attraction in Galveston, Texas, is filled with two million pounds of ice
News Break	Explore a winter wonderland carved from ice!	12/19/2022	Online	Online, consumer			United States	POS	1,552,000	\$356.96	http://newsbreak.com/news/2863245447878/explore-a-winter-wonderland-carved-from-ice	some magic to your holiday season? When you step into Ice Land at Moody Gardens, you will be transported to a winter wonderland made entirely
News Break	Giant sea creatures made of recycled beach trash wash ashore in must-see Galveston exhibit	12/19/2022	Online	Online, consumer			United States	POS	1,552,000	\$356.96	http://newsbreak.com/news/2863219232881/giant-sea-creatures-made-of-recycled-beach-trash-wash-ashore-in-must-see-galveston-exhibit	Giant sea creatures made of recycled beach trash wash ashore in must-see Galveston exhibitBy Steven Devadanam CultureMap Austin 1 hour ago Read
WABC-TV Online	Explore a winter wonderland carved from ice!	12/19/2022	Online	Online, consumer	New York, NY		United States	POS	1,480,480	\$340.51	http://abc7ny.com/moody-gardens-ice-land-galveston-texas-holiday-events-in-houston/12590876/	incredible world carved from two million pounds of ice - in TEXAS! GALVESTON, TEXAS -- Want to add some magic to your holiday season? When you
WLS-TV Online	Explore a winter wonderland carved from ice!	12/19/2022	Online	Online, consumer	Chicago, IL		United States	POS	1,335,681	\$1,075.22	http://abc7chicago.com/moody-gardens-ice-land-galveston-texas-holiday-events-in-houston/12590876/	a winter wonderland made entirely from ice! The 18,000-square foot attraction in Galveston, Texas, is filled with two million pounds of ice
WPVI-TV Online	Explore a winter wonderland carved from ice!	12/19/2022	Online	Online, consumer	Philadelphia, PA		United States	POS	623,959	\$502.29	http://6abc.com/moody-gardens-ice-land-galveston-texas-holiday-events-in-houston/12590876/	a winter wonderland made entirely from ice! The 18,000-square foot attraction in Galveston, Texas, is filled with two million pounds of ice
WTVD-TV Online	Explore a winter wonderland carved from ice!	12/19/2022	Online	Online, consumer	Raleigh-Durham, NC		United States	POS	334,778	\$77.00	http://abc11.com/moody-gardens-ice-land-galveston-texas-holiday-events-in-houston/12590876/	a winter wonderland made entirely from ice! The 18,000-square foot attraction in Galveston, Texas, is filled with two million pounds of ice
CultureMap San Antonio	Giant sea creatures made of recycled beach trash wash ashore in must-see Galveston exhibit	12/20/2022	Online	Online, consumer	Austin, TX		United States	POS	13,090	\$3.01	http://sanantonio.culturemap.com/news/travel/giant-sea-creatures-made-of-recycled-beach-trash-wash-ashore-in-must-see-galveston-exhibit/	A giant great white shark, massive bald eagle, oversized octopus, and more enormous sea life have invaded Galveston Island Earlier this month, San
Flipboard	Giant sea creatures made of recycled beach trash wash ashore in must-see Galveston exhibit	12/20/2022	Online	Online, consumer			United States	POS	1,167,170	\$268.45	http://flipboard.com/topic/sharkfish/giant-sea-creatures-made-of-recycled-beach-trash-wash-ashore-in-must-see-galveston-f-a7de005231%2Fculturemap.com	culturemap.com - Steven Devadanam • 1h A giant great white shark, massive bald eagle, oversized octopus, and more enormous sea life have invaded
HAPPENINGNEXT	New Year's Eve at The Spot	12/20/2022	Online	Online, consumer			United States	POS	N/A	\$0.00	http://happeningnext.com/event/new-year%E2%80%99s-eve-at-the-spot-eid4so0n7c0801	beachfront room for New Year's Eve at the Holiday Inn Express & Suites Galveston Beach - just next door to The Spot! hiexpress.com/galvestonbchtx
KRIV-TV Online	Weekend events in Houston: Christmas lights, holiday performances & visit with Santa	12/20/2022	Online	Online, consumer	Houston, TX	Yes	United States	POS	122,913	\$28.27	http://fox26houston.com/news/houston-things-to-do-events-weekend-december-23-25	more information. Holidays at Moody Gardens Holiday attractions at Moody Gardens You can celebrate the holiday season in Galveston. Moody
Community Impact Newspaper	18 Houston-area events to spark the holiday spirit, help ring in the New Year	12/21/2022	Online	Online, consumer			United States	POS	500	\$0.12	http://communityimpact.com/houston/heights-river-oaks-montrose/events/2022/12/21/18-houston-area-events-to-spark-the-holiday-spirit-help-ring-in-the-new-year/	10 a.m.-4 p.m. daily, 4-10 p.m. (Festival of Lights). \$70-\$100. Moody Gardens, 1 Hope Blvd., Galveston. 409-744-4673.
HAPPENINGNEXT	Sylvan Beach Festival	12/21/2022	Online	Online, consumer			United States	POS	N/A	\$0.00	http://happeningnext.com/event/sylvan-beach-festival-eid3a09lkgmni	for Saturday, April 29, 2023 with gates opening at 9:00am at Sylvan Beach Park on Galveston Bay. The festival kicks off with a parade and
This Colorado Adventure	November 2022 - The Colorado adventure	12/21/2022	Online	Online, consumer			United States	POS	N/A	\$0.00	http://thiscoloradoadventure.wordpress.com/2022/11/	so we took advantage of the first stop in the rain to go to the Strand. We rode the ferry across the bay and saw so many dolphins, but they
HAPPENINGNEXT	Moody Gardens Bell Ringing Volunteers	12/23/2022	Online	Online, consumer			United States	POS	N/A	\$0.00	http://happeningnext.com/event/moody-gardens-bell-ringing-volunteers-eid4snxn699g1	Moody Gardens Bell Ringing Volunteers happening at Moody Gardens, 1 Hope Boulevard, Galveston, United States on Sun Jan 01 2023 at 07:00 pm to
KPRC-TV Online	see what Terry from Angleton just won!	12/24/2022	Online	Online, consumer	Houston, TX	Yes	United States	POS	706,406	\$568.66	http://click2houston.com/houston-life/2022/12/23/houston-life-prize-wheel-see-what-terry-from-angleton-just-won/	There are 15 wedges on the prize wheel, and today we had VIP passes to Galveston attractions, Houston Zoo's Zoo Lights, and a Katy Mills holiday

HAPPENINGNEXT	First Day Hike- Coastal Prairie Edition	12/25/2022	Online	Online, consumer			United States	POS	N/A	\$0.00	http://happeningnext.com/event/first-day-hike-coastal-prairie-edition-eid3a09lv3s3	more information and further
HAPPENINGNEXT	New Year Block Party	12/25/2022	Online	Online, consumer			United States	POS	N/A	\$0.00	http://happeningnext.com/event/new-year-block-party-eid3a09lv8af	Year 2023 Block Party! The up & coming East End District of Galveston. With Hotel Lucine (the old Pearl Inn) coming together it's the
HAPPENINGNEXT	Moody Gardens Bell Ringing Volunteers	12/26/2022	Online	Online, consumer			United States	POS	N/A	\$0.00	http://happeningnext.com/event/moody-gardens-bell-ringing-volunteers-eid4snxxn5v9n1	Moody Gardens Bell Ringing Volunteers happening at Moody Gardens, 1 Hope Boulevard, Galveston, United States on Fri Jan 06 2023 at 05:00 pm to
KPRC-TV Online	Houston, start 2023 with a polar plunge, run or walk	12/27/2022	Online	Online, consumer	Houston, TX	Yes	United States	POS	706,406	\$568.66	http://click2houston.com/features/2022/12/27/houston-start-2023-with-a-polar-plunge-run-or-walk/	of these New Year's Day events happening in the Houston area. Sunrise beach walk at Galveston Island State Park "Ring in the new year by taking
The Katy News Online	January 2023 Calendar Events	12/27/2022	Online	Online, consumer	Houston, TX	Yes	United States	POS	8,652	\$1.99	http://thekatynews.com/2022/12/27/january-2023-calendar-events/	hiking on New Year's Day. Begin 2023 with a sunrise walk on the beach at Galveston Island State Park; join in the annual First Day Hike at
Texas News Today	Holiday Highlights: Christmas Destinations in Texas	12/29/2022	Online	Online, consumer			United States	POS	111,788	\$25.71	http://texasnewstoday.com/holiday-highlights-christmas-destinations-in-texas/664241/	15th to 17th Murphy headlined the first night of the dance. Insert Dickens in Strand image Much of the Victorian era captures the essence of
MSN Travel	6 Beautiful Hikes To Explore On The Texas Gulf Coast	12/30/2022	Online	Online, consumer			United States	POS	67,151,557	\$15,444.86	http://msn.com/en-us/travel/tripideas/6-beautiful-hikes-to-explore-on-the-texas-gulf-coast/ar-AA15OZik	view. Trail maps are available online. Pro Tip When they say Galveston Island is home to some of the best attractions in Texas, they aren't
OurFamilyWorld	Take a Family Vacation in Texas for the Adventure of a Lifetime + \$1,000 Giveaway	12/30/2022	Online	Blog, consumer	National		United States	POS	8,395	\$1.93	http://ourfamilyworld.com/how-to-plan-our-vacations/places-to-visit/family-vacation-in-texas-adventure/	What to do on a Family Vacation in Texas: Great Balloon Race What to do on a Family Vacation in Texas: Galveston Island Historic
TravelAwaits	6 Beautiful Hikes To Explore On The Texas Gulf Coast	12/30/2022	Online	Online, consumer			United States	POS	401,996	\$92.46	http://travellawaits.com/2843572/best-hikes-texas-gulf-coast/	view. Trail maps are available online. Pro Tip When they say Galveston Island is home to some of the best attractions in Texas, they aren't
MSN Travel	4th Of July Celebrations In Texas	12/31/2022	Online	Online, consumer			United States	POS	67,151,557	\$15,444.86	http://msn.com/en-us/travel/news/4th-of-july-celebrations-in-texas/ar-AA15n2He	fun! No pet allowed. Kemah Boardwalk Kemah Boardwalk will offer live music and fireworks over Galveston Bay on Monday, July 4, 2022, at 9:30
TOTALS		133							320,386,126	\$178,245.18		

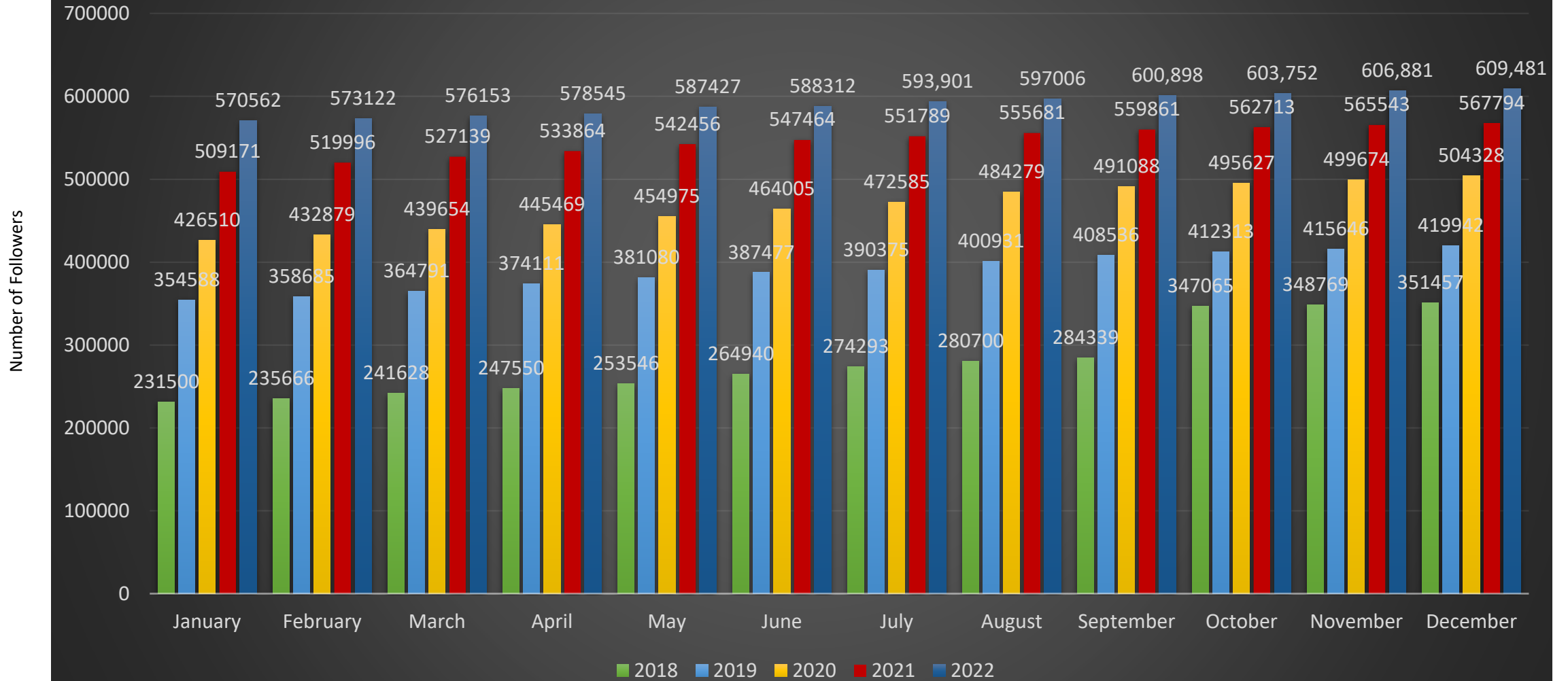
2022 CROSS-NETWORK PERFORMANCE

Profile	Audience	Net Audience Growth	Published Posts	Impressions	Engagements	Engagement Rate (per Impression)	Video Views
Reporting Period Dec 1, 2022 – Dec 31, 2022	609,481 ↑ 0.4%	2,844 ↓ 17.8%	234 ↑ 4.5%	9,440,520 ↓ 6.7%	891,928 ↓ 13.9%	9.4% ↓ 7.7%	1,542,594 ↑ 30.4%
Compare to Nov 1, 2022 – Nov 30, 2022	606,860	3,461	224	10,114,230	1,035,619	10.2%	1,183,210
 @GalvestonIsland	20,864	-8	1	1,234	111	9%	121
 Galveston Island	479,942	2,432	163	8,163,182	825,941	10.1%	854,096
 galvestonisland	108,675	420	70	1,276,104	65,876	5.2%	688,377

2021 CROSS-NETWORK PERFORMANCE

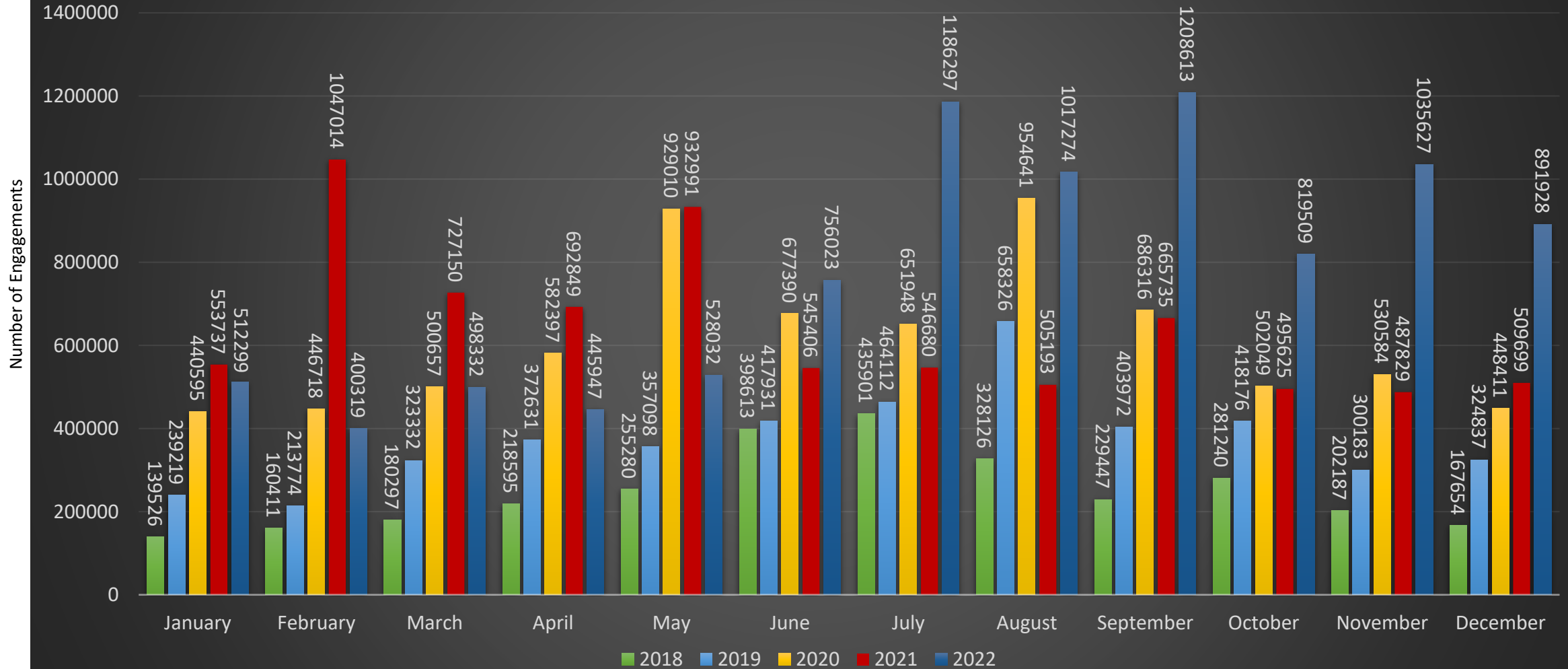
Profile	Audience	Net Audience Growth	Published Posts	Impressions	Engagements	Engagement Rate (per Impression)	Video Views
Reporting Period Dec 1, 2021 – Dec 31, 2021	567,793 ↑ 0.4%	2,428 ↓ 20%	299 ↑ 34.7%	11,578,536 ↑ 43.8%	510,322 ↑ 4.5%	4.4% ↓ 27.3%	473,322 ↑ 7.2%
Compare to Nov 1, 2021 – Nov 30, 2021	565,543	3,036	222	8,051,935	488,476	6.1%	441,687
 @GalvestonIsland	20,654	-11	2	5,018	117	2.3%	132
 Galveston Island	444,838	1,857	181	10,487,645	465,174	4.4%	469,707
 galvestonisland	102,301	582	116	1,085,873	45,031	4.1%	3,483

YOY Social Media Followers Across Platforms



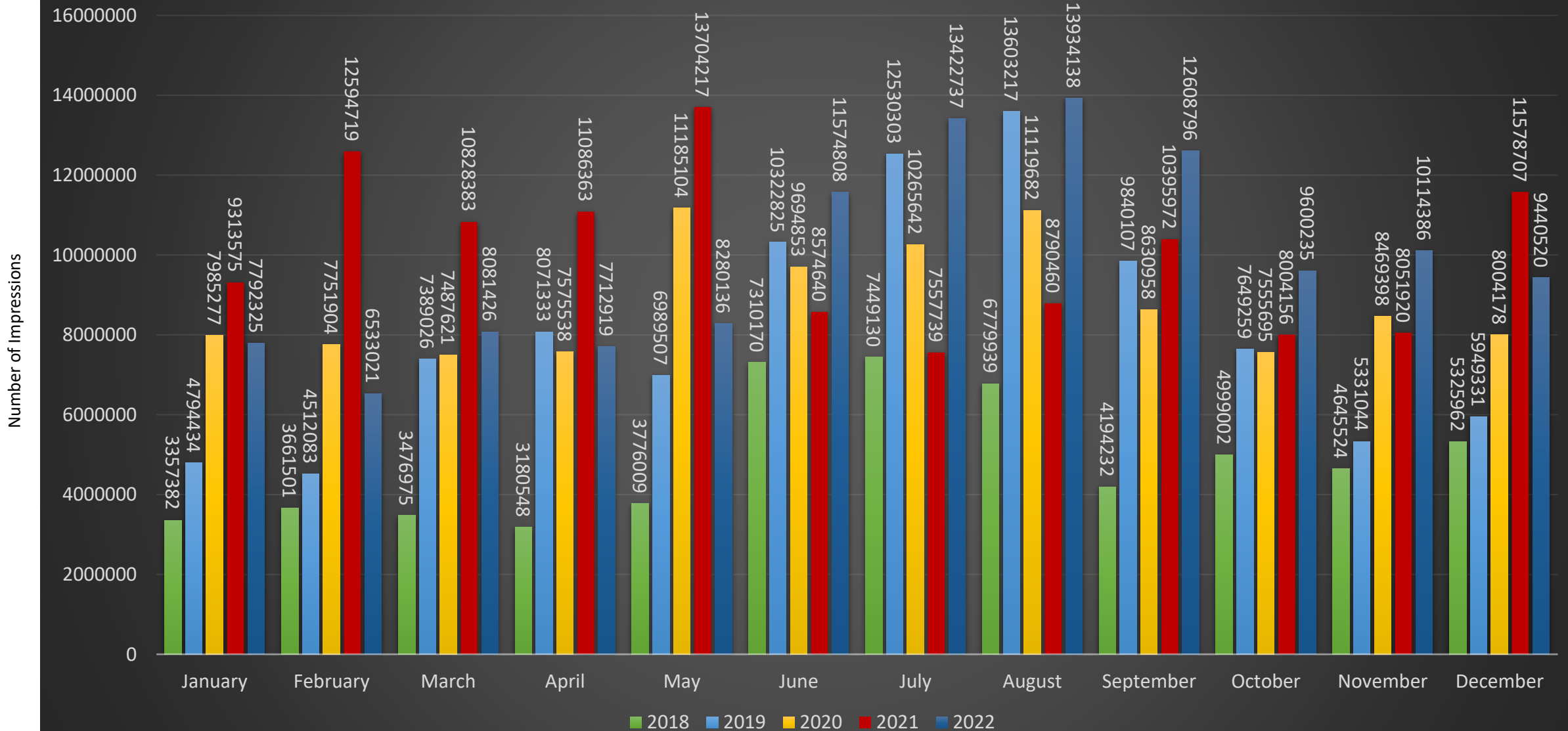
*Data collected from Facebook, Instagram and Twitter

YOY Social Media Engagement Across Platforms



*Data collected from Facebook, Instagram and Twitter

YOY Social Media Impressions Across Platforms



*Data collected from Facebook, Instagram and Twitter

Community Committees
Tourism Development Advisory Committee (TDAC)

Mission:

The mission of the Tourism Development Advisory Committee (TDAC) is to support the Galveston Park Board of Trustees (GPBT) on issues related to marketing Galveston and its amenities, to promoting Galveston as a recreational and convention destination, to providing appropriate facilities and services for visitors.

Role:

The TDAC takes direction from the GPBT, and annual work plans authorized by the GPBT and provides recommendations and insight to the GPBT on issues related to tourism marketing, promotions, services and sales. TDAC's meetings, recommendations and reports are open to the public, with all written recommendation and findings sent to the GPBT for consideration by the GPBT.

Goals:

The TDAC's annual goals include, but are not limited to, the following:

- a. Project the revenue to be generating annually by the Hotel Occupancy Tax;
- b. Recommend approval/ denial for special events allocations through the Incubator Fund;
- c. Provide feedback on new marketing initiatives and marketing materials;
- d. Serve as a communications channel to disseminate information, encourage implementation and/ or participation in CVB sponsored programs for marketing, advertising, services, and product development;
- e. Recommend advocacy and outreach initiatives related to TDAC's mission;
- f. Monitor trends in bookings, public relations, marketing, economic impact and other metrics in order to make recommendations to enhance Galveston's tourism industry; and
- g. Review and recommend new initiatives to support the tourism industry.

Tourism Development 2022-2023 Workplan

Quarter 1		
<i>October</i>	<i>November</i>	<i>December</i>
Discuss and Consider TD 2022/2023 Plan of Work and Action Plan	Committee Luncheon (off-site) Present Island Holiday Activities, Activations and associated Media Plan	No Meeting
Quarter 2		
<i>January</i>	<i>February</i>	<i>March</i>
No Meeting	Present Annual Report for the Institution Present Tourism Summit Program and Registration Details	Present Spring/Summer Island Soul Nominate and Select Industry Partner of the Year (announced at Tourism Summit) Annual Beach Parks Update Present Juneteenth, and July 4th Plans and Activations
Quarter 3		
<i>April</i>	<i>May</i>	<i>June</i>
No Meeting	Report Mid Year Sales and Earned Media Results Present Annual Beach Patrol Update Present Annual Hurricane Plan	Discuss & Recommend FY2021/22 HOT values (Recommend Value of the Penny) Present Annual Tourism Economic Impact Report Present Annual Updates on Coastal Zone Management and Projects
Quarter 4		
<i>July</i>	<i>August</i>	<i>September</i>
No Meeting	Discuss & Consider 2022/23 Recommended Tourism Development budgets for Board Approval	Present Paid Media Annual Results and upcoming FY Paid Media Plan Present Fall/Winter Island Soul

On-going agenda items:

Receive and review monthly Executive Summary Reports